

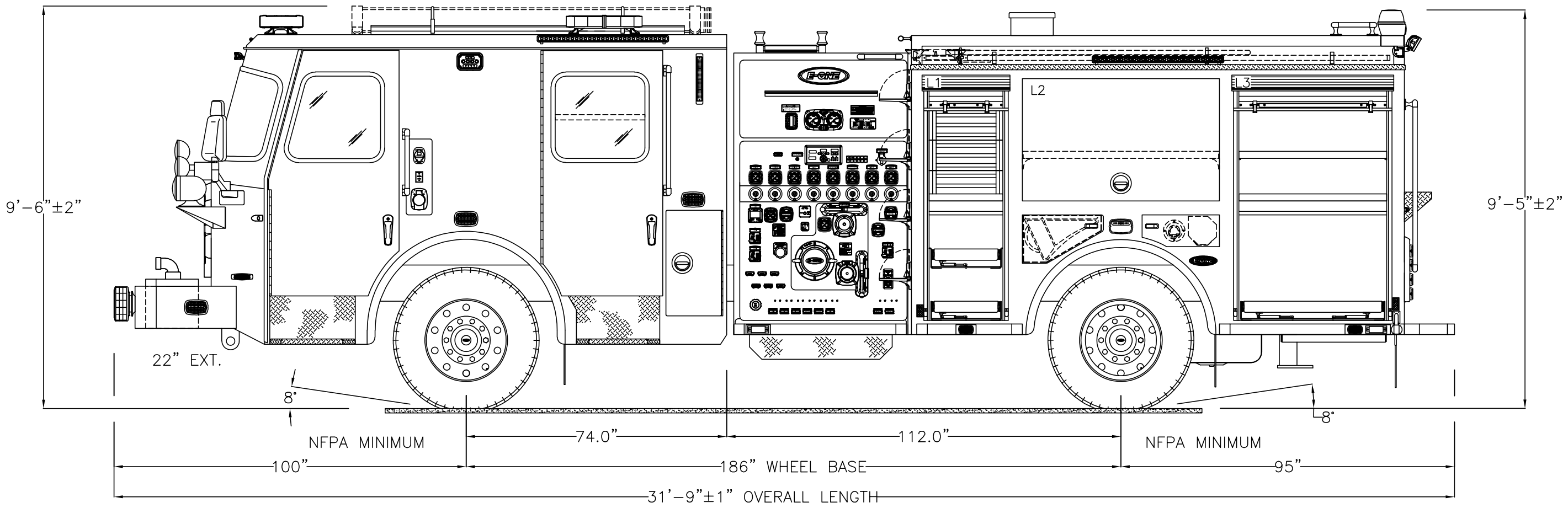
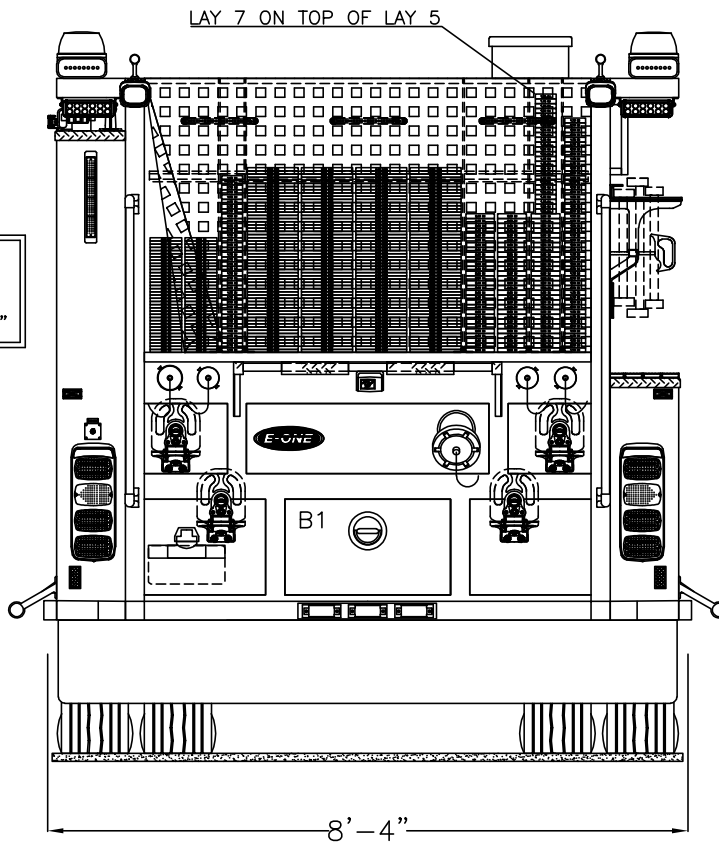
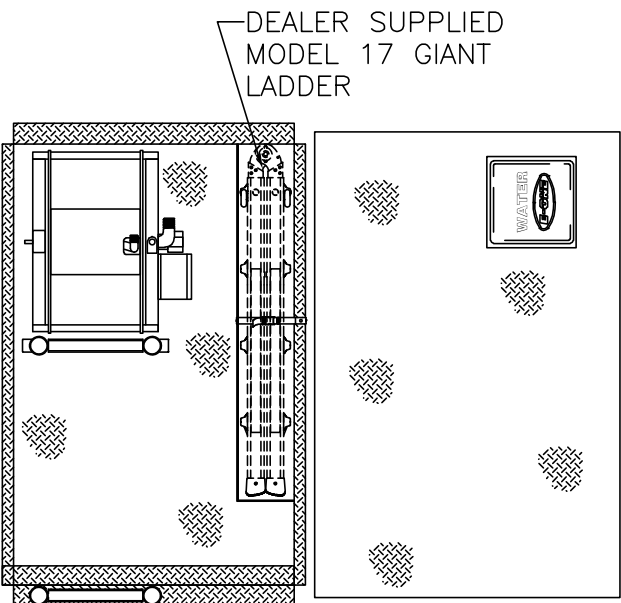
LIMERICK FIRE DEPARTMENT ROYERSFORD, PA

S.O.145964 / Q117440

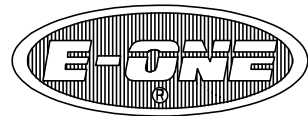
PUMPER
CYCLONE 4X2 CHASSIS

1500 GPM HALE QMAX PUMP 780 GALLON WATER TANK		HOSE LOAD:				
		300' OF 3.00" DJ				
		300' OF 1.75" DJ				
		1200' OF 5.00" LDH				
		400' OF 2.50" DJ				
		200' OF 2.50" DJ				
		400' OF 1.75" DJ				
		200' OF 1.75" DJ				
COMPT.	OPENING		INTERIOR DIMENSION			
L1	22W	59H	24W	25H	12D	UPPER
L2	56W	34H	56W	34H	12D	LOWER
L3	43W	59H	45W	25H	12D	UPPER
R1	24W	30H	24W	30H	26D	
R2	45W	30H	45W	30H	26D	
B1	26W	15H	26W	15H	27D	
THIS DRAWING IS FOR REFERENCE PURPOSES. ALL DIMENSIONS ARE SUBJECT TO MINOR VARIATIONS DUE TO MANUFACTURING PROCESSES.						
(FOR INTERNAL SALES PURPOSES ONLY)						
DEALER APPROVAL _____		DATE _____		<input type="checkbox"/> AS IS		
CUSTOMER APPROVAL _____		DATE _____		<input type="checkbox"/> WITH REVISIONS		

HOSEBED HEIGHT:
(FOR REFERENCE ONLY)
TO TAILBOARD: 39"
TO GROUND: 63±2"



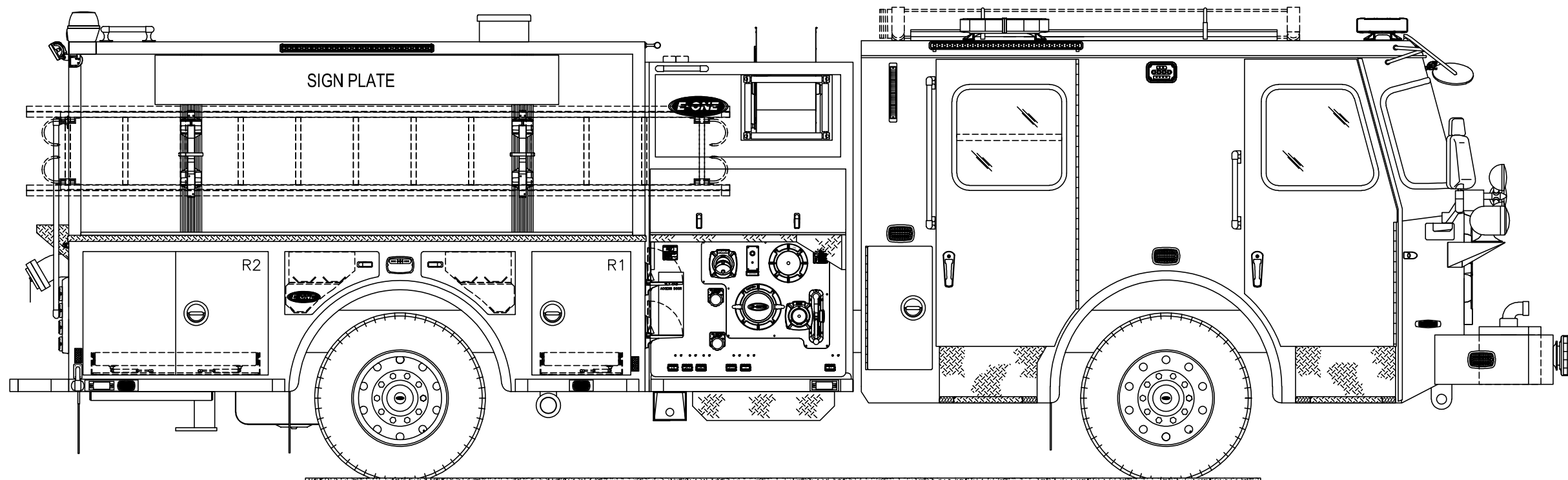
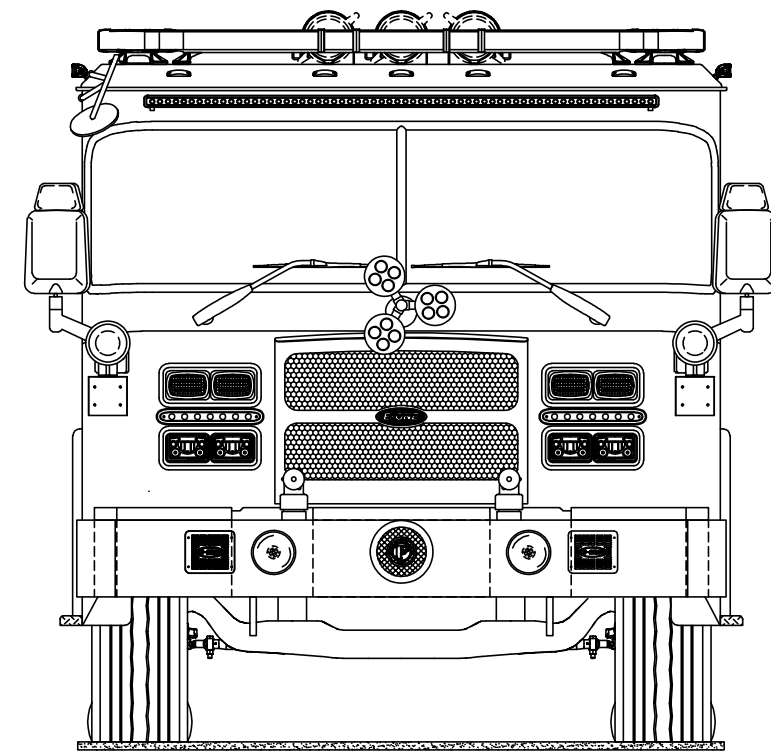
NGRFFN	A.6	ORDER RELEASE	2022-DEC-08	NGRFFN
DRAWN BY	REV	DESCRIPTION	DATE	APPROVED
		APPROVAL REVISIONS		SHEET 1 OF 2



LIMERICK FIRE DEPARTMENT
 ROYERSFORD, PA
 S.O.145964 / O117440
 PUMPER
 CYCLONE 4X2 CHASSIS

THIS DRAWING IS FOR REFERENCE PURPOSES. ALL DIMENSIONS ARE SUBJECT TO MINOR VARIATIONS DUE TO MANUFACTURING PROCESSES.
 (FOR INTERNAL SALES PURPOSES ONLY)

DEALER APPROVAL _____ DATE _____ AS IS
 CUSTOMER APPROVAL _____ DATE _____ WITH REVISIONS



NGRIFFIN	A.6	ORDER RELEASE	2022-DEC-08	NGRIFFIN
DRAWN BY	REV	DESCRIPTION	DATE	APPROVED
		APPROVAL REVISIONS		SHEET 2 OF 2