

NORTHFIELD FIRE DEPARTMENT

NORTHFIELD, NJ

S.O.146103 / QUOTE 113917

AERIAL BODY

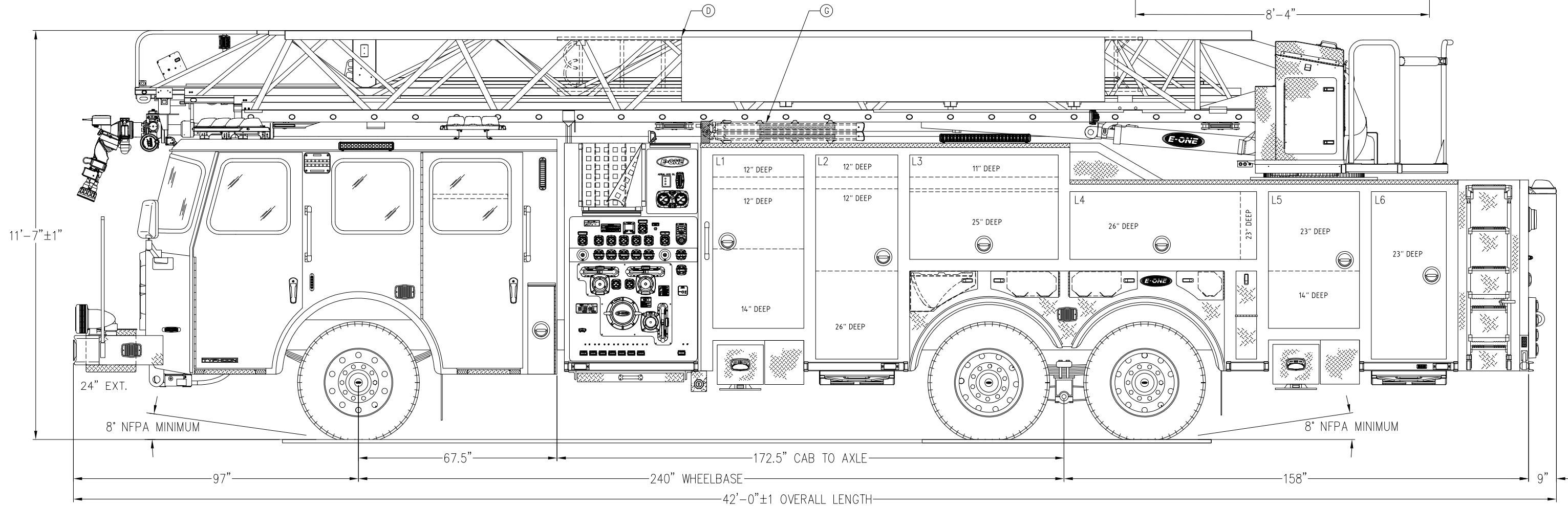
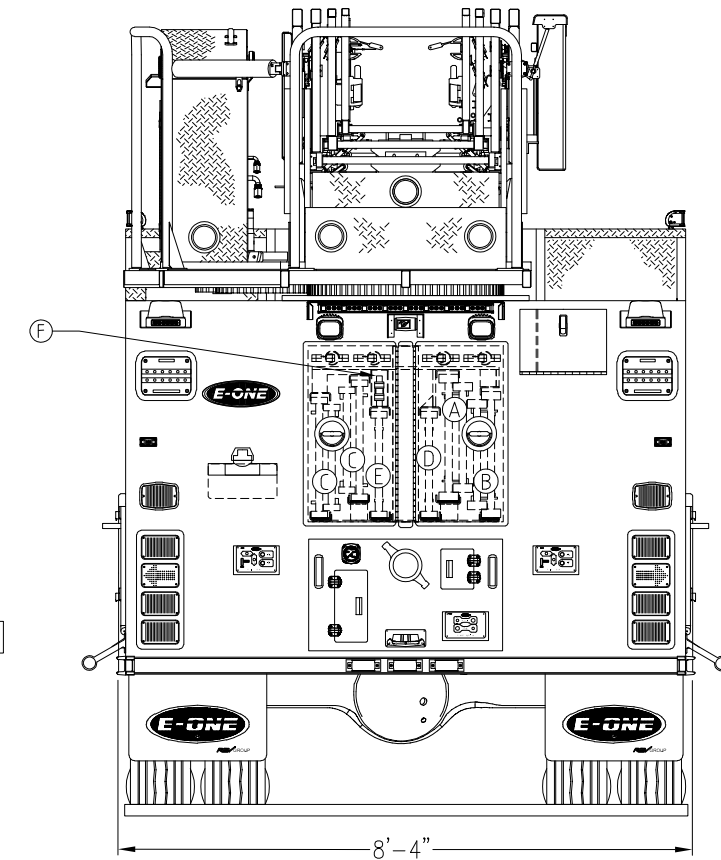
E-ONE TYPHOON CHASSIS

HR100 AERIAL LADDER

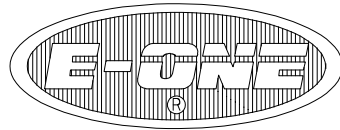
THIS DRAWING IS FOR REFERENCE PURPOSES. ALL DIMENSIONS ARE SUBJECT TO MINOR VARIATIONS DUE TO MANUFACTURING PROCESSES.

This print is the property of E-ONE, Inc. and is loaned to you subject to return on demand, unless otherwise agreed to in writing by E-ONE, Inc. Its contents are confidential and must not be copied or submitted to third parties for use or examination.

COMPT.		OPENING		INTERIOR DIMENSION			
2000 GPM HALE QMAX PUMP		500 GALLON WATER TANK		HOSE LOAD: 750' OF 5.00" LDH			
L1/R1	31W 59H	31W 31H	32H 27H	12D 14D	UPPER LOWER		
L2	28W 69H	28W 28W	39H 30H	12D 26D	UPPER LOWER		
R2	28W 69H	28W 28W	32H 37H	12D 26D	UPPER LOWER		
L3/R3	50W 35H	50W 50W	12H 23H	11D 23D	UPPER LOWER		
L4	63W 23H	63W 23H		NOTED			
R4	63W 23H	63W 23H		11D			
L5	31W 46H	31W 31W	27H 19H	23D 26D	UPPER LOWER		
R5	31W 46H	31W 31W	27H 19H	11D 26D	UPPER LOWER		
L6	25W 57H	25W 57H		23D			
R6	25W 57H	25W 25W	29H 28H	11D 26D	UPPER LOWER		
GROUND LADDERS							
ITEM	LADDER LENGTH	MODEL NUMBER		QTY			
A	35' 2-SECT.	PEL-35		1			
B	28' 2-SECT.	PEL-28		1			
C	24' 2-SECT.	PEL-24		2			
D	16' ROOF	PRL-16		2 ONE ON AERIAL			
E	14' ROOF	PRL-14		1			
F	10' FOLDING	FL-10		1			
G	LITTLE GIANT	MODEL 17		1			



MNAVETTA	A.2	ORDER REVIEW 2	2023-JAN-10	MNAVETTA
DRAWN BY	REV	DESCRIPTION	DATE	APPROVED
		PROPOSAL REVISIONS		SHEET 1 OF 2



NORTHFIELD FIRE DEPARTMENT

NORTHFIELD, NJ

S.O.146103 / QUOTE 113917

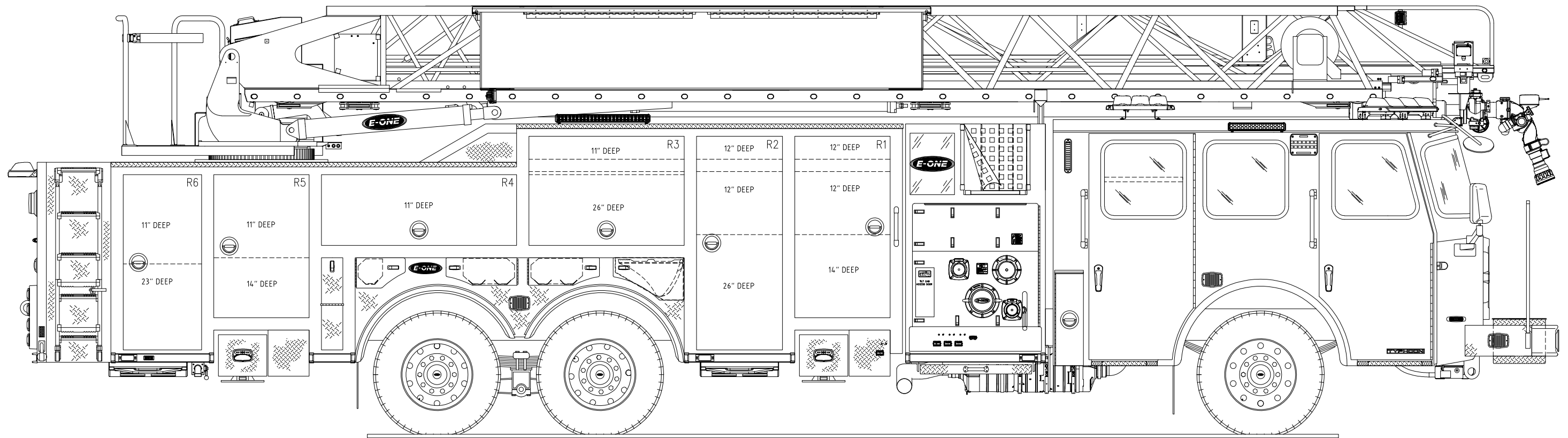
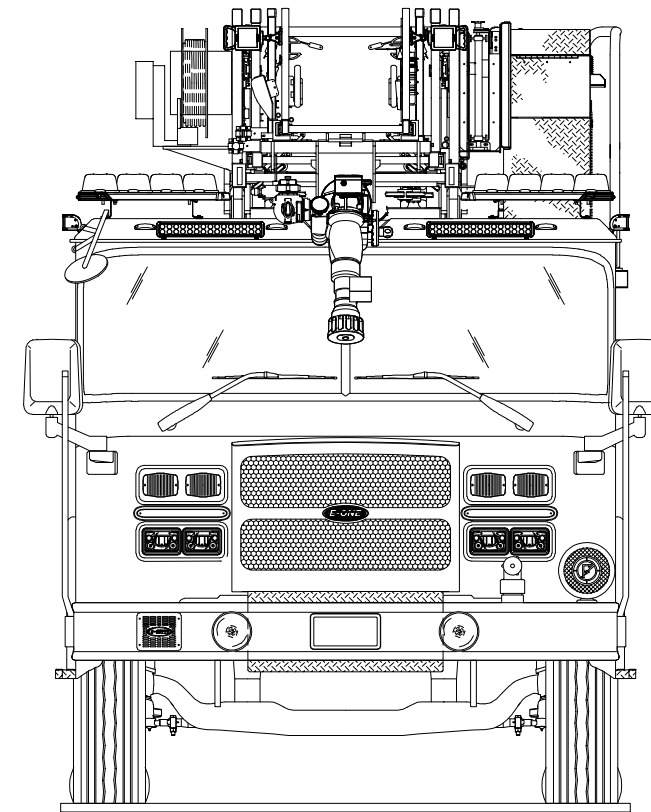
AERIAL BODY

E-ONE TYPHOON CHASSIS

HR100 AERIAL LADDER

THIS DRAWING IS FOR REFERENCE PURPOSES. ALL DIMENSIONS ARE SUBJECT TO MINOR VARIATIONS DUE TO MANUFACTURING PROCESSES.

This print is the property of E-ONE, Inc. and is loaned to you subject to return on demand, unless otherwise agreed to in writing by E-ONE, Inc. Its contents are confidential and must not be copied or submitted to third parties for use or examination.



MNAVETTA	A.2	ORDER REVIEW 2	2023-JAN-10	MNAVETTA
DRAWN BY	REV	DESCRIPTION	DATE	APPROVED
		PROPOSAL REVISIONS		SHEET 2 OF 2