



NEW GRETNNA VOL FIRE COMPANY
TUCKERTON, NJ
 S.O. 145481 / Q110926

PUMPER
TYPHOON 4X2 CHASSIS

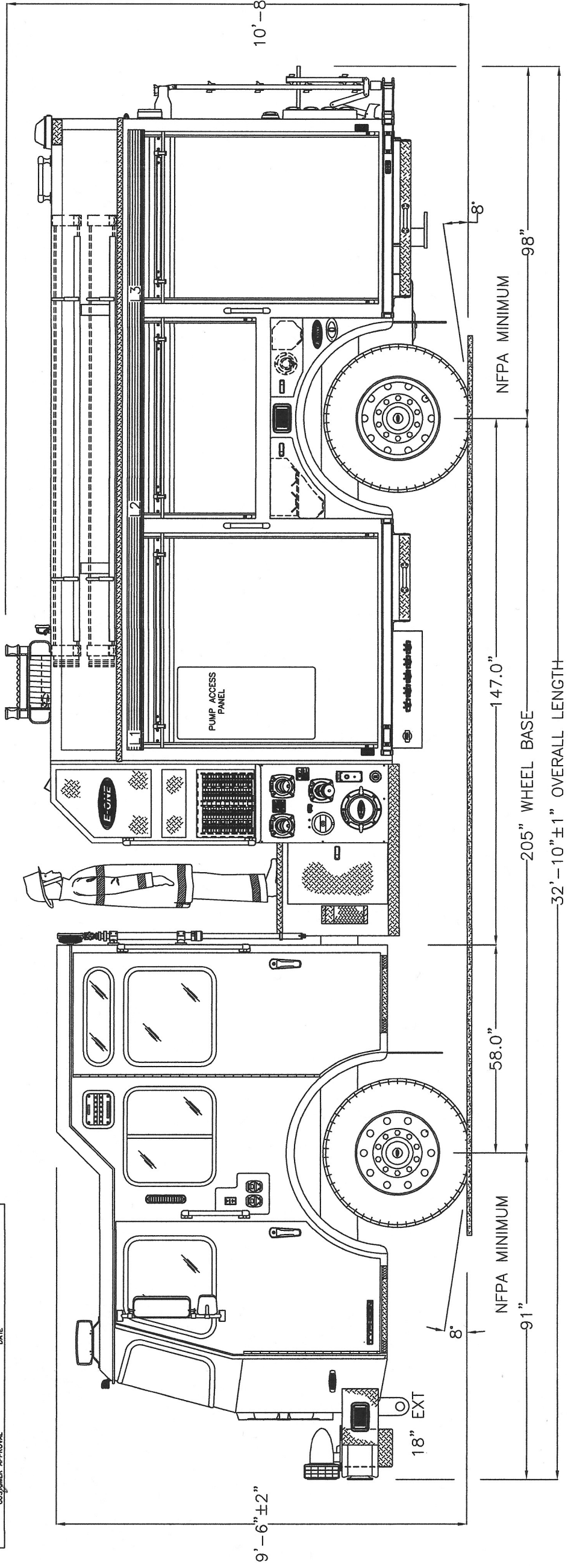
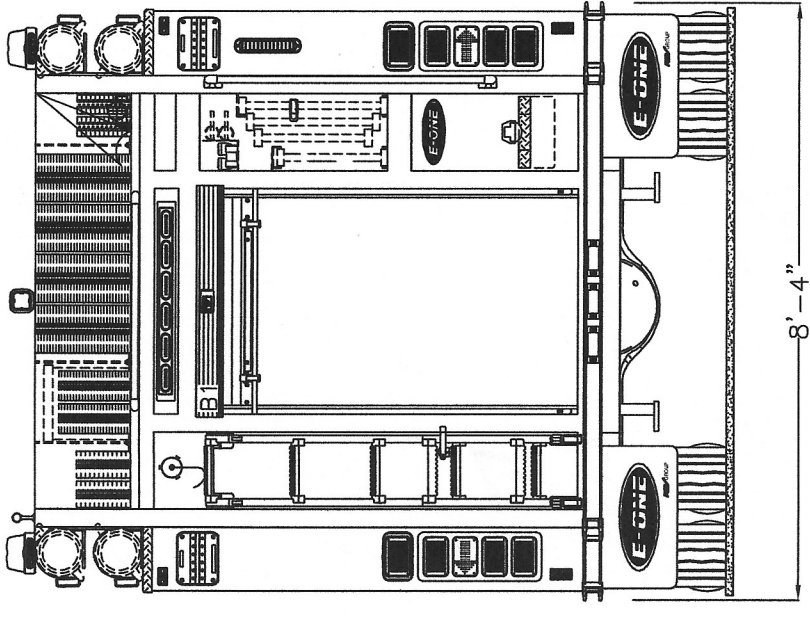
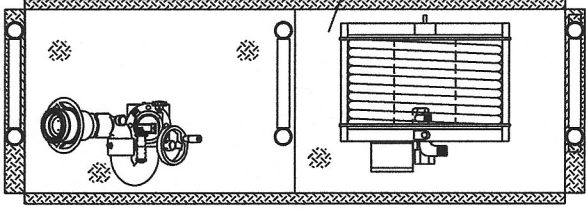
		HOSE LOAD:	
		250' OF 2.50" DJ	250' OF 3.00" DJ
		1000' OF 5.00" LDH	300' OF 1.75" DJ
COMPT.	OPENING	INTERIOR DIMENSION	
L1	58W 68H	60W 12H 12D UPPER	
L2	54W 34H	56W 26D LOWER	
L3	46W 68H	56W 12H 12D UPPER	
R1	58W 68H	48W 26D LOWER	
R2	54W 34H	60W 34H 34D UPPER	
R3	46W 68H	48W 30H 26D LOWER	
B1	36W 55H	38W 71H 27D	

THIS DRAWING IS FOR REFERENCE PURPOSES. ALL DIMENSIONS ARE SUBJECT TO MINOR VARIATIONS DUE TO MANUFACTURING PROCESSES.

FOR INTERNAL SALES PURPOSES ONLY)
 DEALER APPROVAL DATE 7/10/22 EAS IS
 CUSTOMER APPROVAL DATE _____ WITH REVISIONS

HOSEBED HEIGHT:
 (FOR REFERENCE ONLY)
 TO TAILBOARD: 76"
 TO GROUND: 100±2"

RECESSED 5" LOWER THAN
 OFFICER SIDE



NO.	REV	DESCRIPTION	DATE	APPROVED

SHEET 1 OF 2

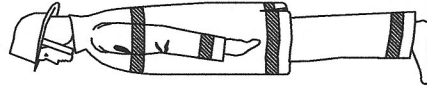
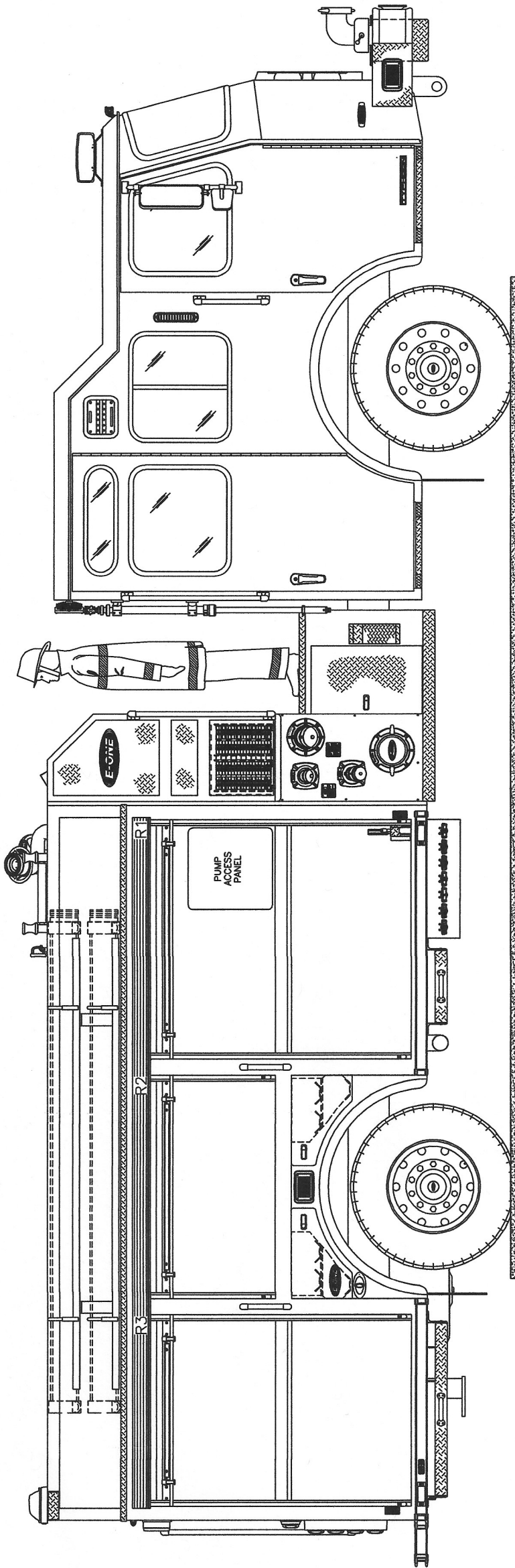
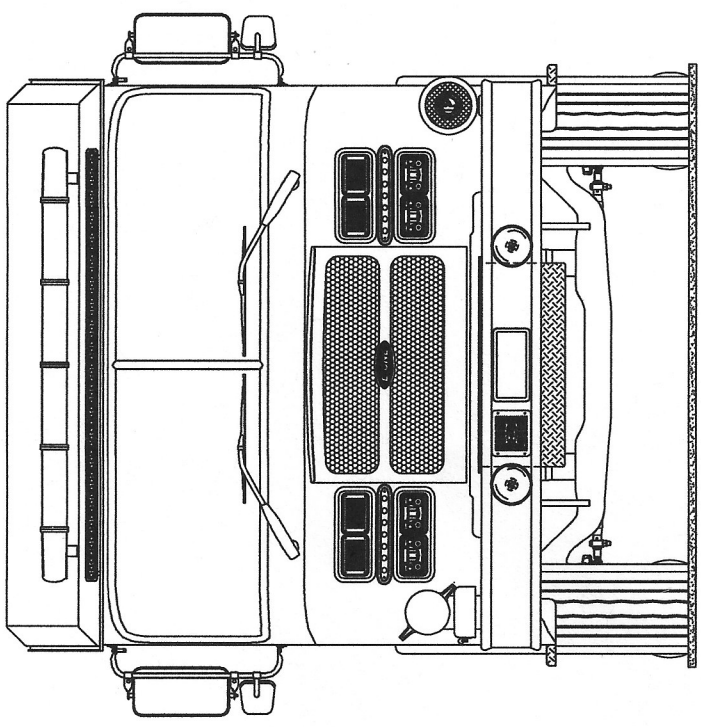


NEW GRETNA VOL FIRE COMPANY
TUCKERTON, NJ
 S.O. 145481 / Q110926

PUMPER
TYPHOON 4X2 CHASSIS

THIS DRAWING IS FOR REFERENCE PURPOSES. ALL DIMENSIONS ARE SUBJECT TO MINOR VARIATIONS DUE TO MANUFACTURING PROCESSES.

DEALER APPROVAL _____ DATE 7/11/22 AS IS
 CUSTOMER APPROVAL _____ DATE _____ WITH REVISIONS



NO.	DATE	DESCRIPTION	APPROVED