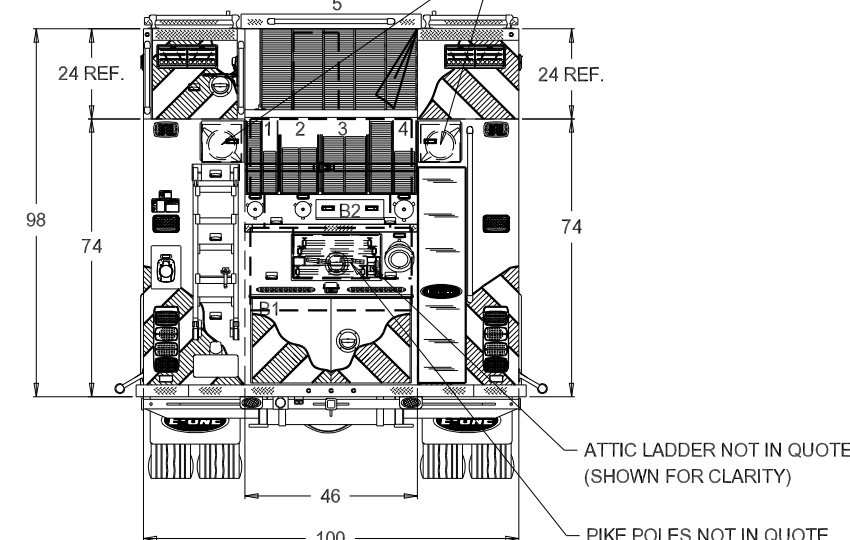


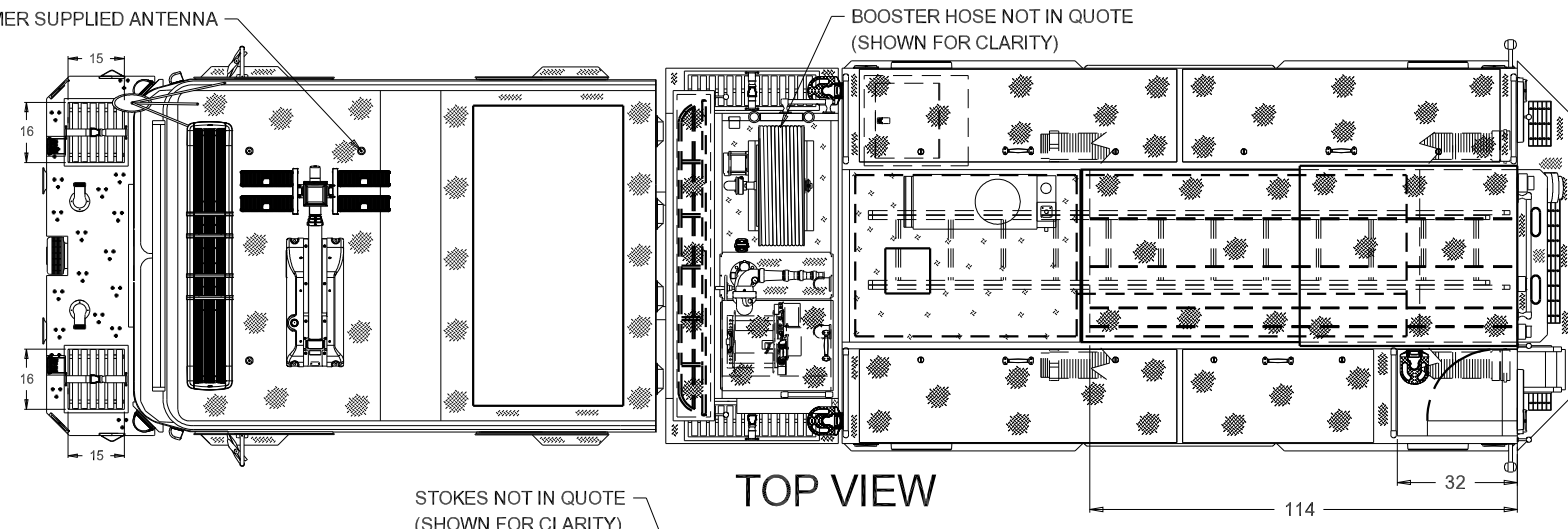
FRONT VIEW

COMPARTMENT DIMENSIONS		
COMPT.	CLEAR DOOR OPENING (W x H):	COMPARTMENT INTERIOR (W x H x LD/UD):
L1	51-1/2"W x 59-1/2"H	56"W x 70"H x 27"D
L2	51-1/2"W x 28-1/4"H	60"W x 38-3/4"H x 27"D
L3	51-1/2"W x 59-1/2"H	56"W x 70"H x 27"D
R1	51-1/2"W x 59-1/2"H	56"W x 70"H x 27"D
R2	51-1/2"W x 28-1/4"H	60"W x 38-3/4"H x 27"D
R3	51-1/2"W x 59-1/2"H	56"W x 70"H x 27"D
B1	39"W x 18-3/4"H	46"W x 25"H x 26"D
B2	18"W x 4"H	18"W x 4"H x 78"D

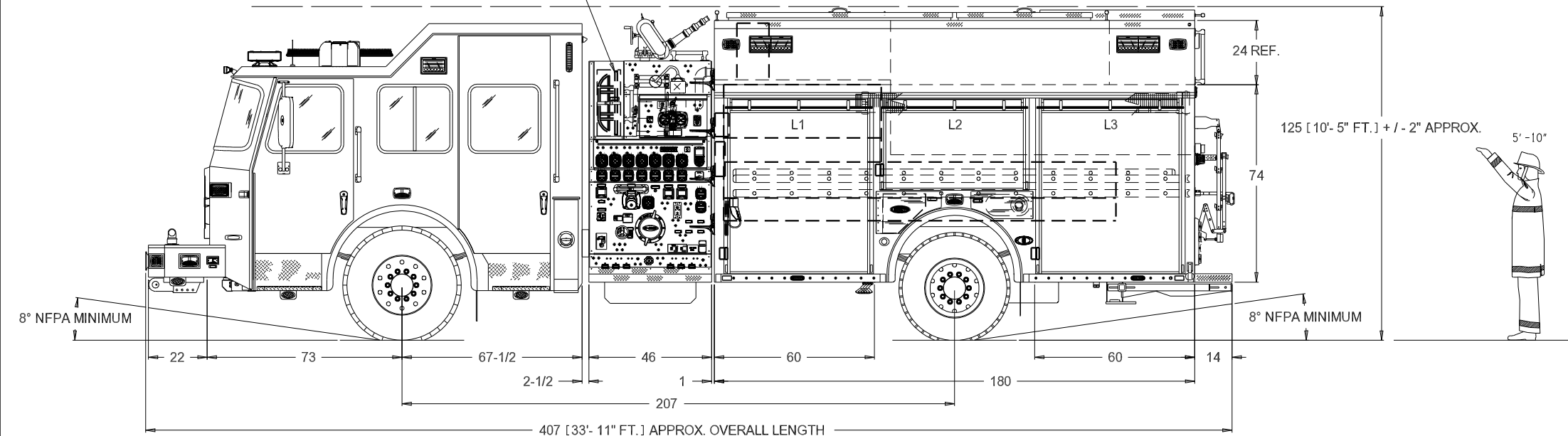
HOSE BED LAYOUT:
 BED 1 = 300' OF 2" HOSE
 PRECONNECT
 BED 2 = 250' OF 2-1/2" HOSE
 PRECONNECT
 BED 3 = 300' OF 3" HOSE (DEAD)
 BED 4 = 300' OF 3" HOSE
 PRECONNECT
 BED 5 = 1200' OF 5" HOSE
 SUCTION HOSE NOT IN QUOTE (SHOWN FOR CLARITY)



REAR VIEW



TOP VIEW



DRIVERS SIDE VIEW

THIS DRAWING IS FOR REFERENCE PURPOSES. ALL DIMENSIONS ARE SUBJECT TO MINOR VARIATIONS DUE TO MANUFACTURING PROCESSES.

This print is the property of E-ONE Inc. and is loaned to you subject to return on demand, unless otherwise agreed to in writing by E-ONE Inc. Its contents are confidential and must not be copied or submitted to third parties for use or examination.

DEALER APPROVAL _____ DATE _____ AS IS

CUSTOMER APPROVAL _____ DATE _____ WITH REVISIONS

REV.	REVISION NOTE / CO#.	DATE:	DRAWN BY:	Tolerance: Lin: ±.50" Ang: ±50 °	Units: Inches [mm Imports Only]
-	INITIAL DRAWING TO MATCH QUOTE REV. 53	122721	R.S.	Dealer:	Water Tank Capacity:
A	REVISED TO MATCH QUOTE REV. 82	020422	R.S.	FIRST CHOICE FIRE APPARATUS	530 GALLON L-TANK
B	TURNED INTO JOB ORDER (REF Q114921) & ORDER SCRUB QREV 115	031022	R.H.	GENERATOR:	Misc:
C	UPDATES PER PRE-BUILD CR'S QREV 143	060122	R.H.	HARRISON 6KW MCR	Misc:
D	UPDATES PER ACTION ITEMS & RFP QREV 151	072922	R.H.	Misc:	Misc:



COLLEGEVILLE FIRE COMPANY
 SO. NO. 145696 (PRSS-TYPN)
 RESCUE PUMPER 530 GALLON L-TANK
 TYPHOON LONG 16" VISTA
 FILE NAME: 145696 COLLEGEVILLE FIRE COMPANY