

HICKON FIRE COMPANY AMBLER, PA

SO.142022 / QUOTE 86385

CUSTOM 36 PUMPER


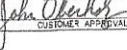
ONE TYPHOON X LONG CAB 4X2 CHASSIS

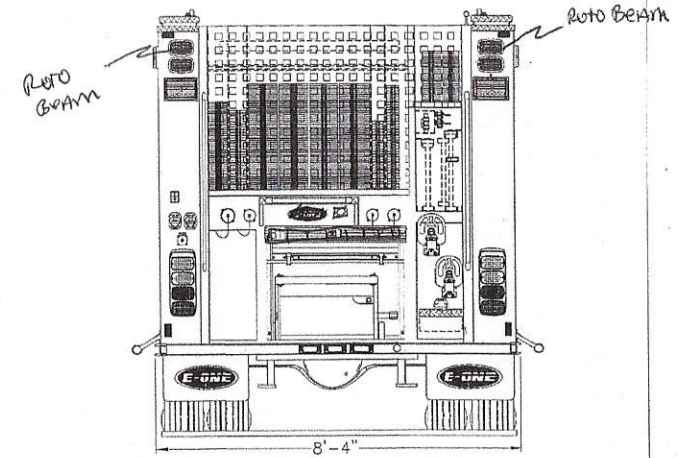
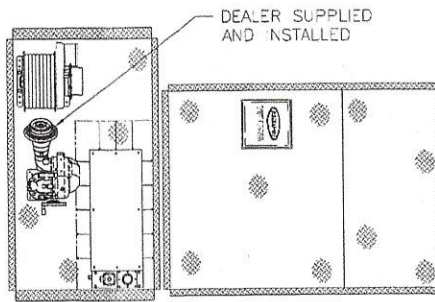
500 GPM HALE QMAX PUMP
180 GALLON WATER TANK

HOSE LOAD:	
200'	OF 3.00" DJ
200'	OF 2.50" DJ
1200'	OF 5.00" LDH
200'	OF 1.75" DJ
300'	OF 1.75" DJ
400'	OF 3.00" DJ

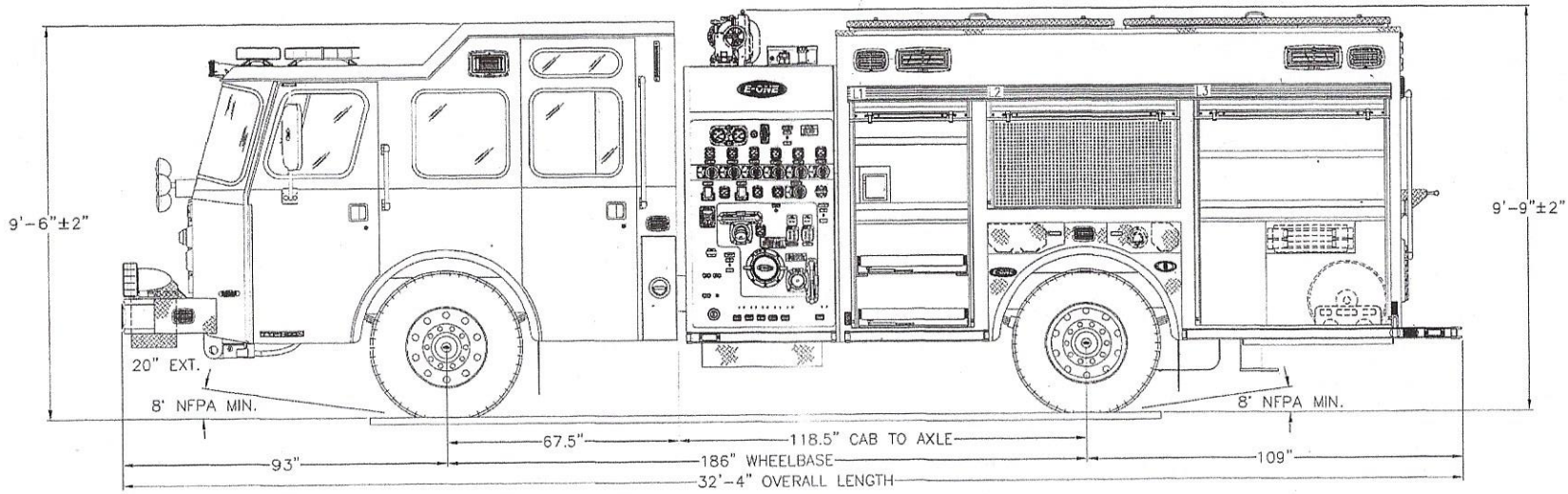
COMPT.	OPENING	INTERIOR DIMENSION	
L1/R1	34W 59H	36W 25H	26D UPPER
		36W 30H	26D LOWER
L2/R2	54W 25H	56W 25H	12D
L3/R3	54W 59H	56W 25H	26D UPPER
		56W 30H	26D LOWER
B1	36W 21H	38W 30H	26D

THIS DRAWING IS FOR REFERENCE PURPOSES. ALL DIMENSIONS ARE SUBJECT TO MINOR VARIATIONS DUE TO MANUFACTURING PROCESSES.

 1/4/18 AS IS
 CUSTOMER APPROVAL DATE
 1/4/18 WITH REVISIONS
 CUSTOMER APPROVAL DATE



HOSEBED HEIGHT:
(FOR REFERENCE ONLY)
TO TAILBOARD: 65"
TO GROUND: 89"



DESIGNER	DATE	BY	DATE	BY	DATE
JOHN OBERLER	1/4/18	JOHN OBERLER	1/4/18	JOHN OBERLER	1/4/18
APPROVAL	REV	DESCRIPTION	DATE	APPROVAL	DATE



HICKON FIRE COMPANY

AMBLER, PA

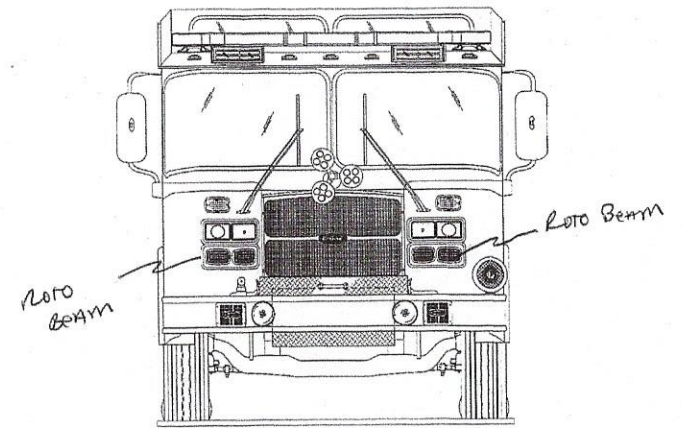
SO.142022 / QUOTE 86385

CUSTOM 36 PUMPER

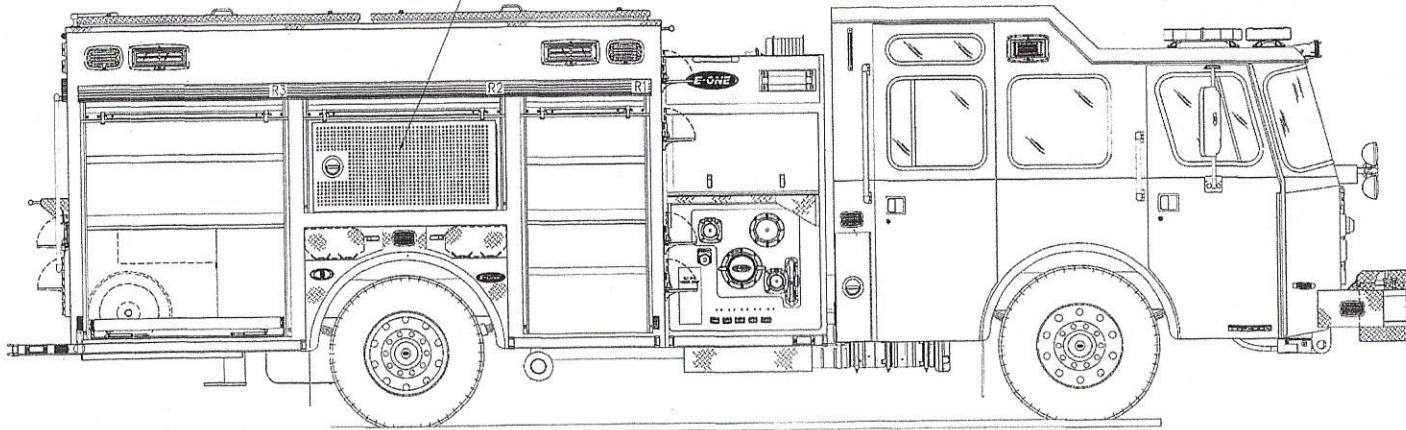
ONE TYPHOON X LONG CAB 4X2 CHASSIS

THIS DRAWING IS FOR REFERENCE PURPOSES. ALL DIMENSIONS ARE SUBJECT TO MANUFACTURING VARIATIONS DUE TO MANUFACTURING PROCESSES.

DESIGN APPROVAL	DATE	AS IS
<i>[Signature]</i>	1/9/16	<input type="checkbox"/>
CUSTOMER APPROVAL	DATE	WITH REVISIONS
<i>[Signature]</i>	1/9/16	<input checked="" type="checkbox"/>



FIXED BACK WALL PEG BOARD BEHIND VERTICAL HINGED PEG TOOL BOARD



DESIGNER	DATE	REVISION	DATE
DRIVER	1/9/16	1	1/9/16

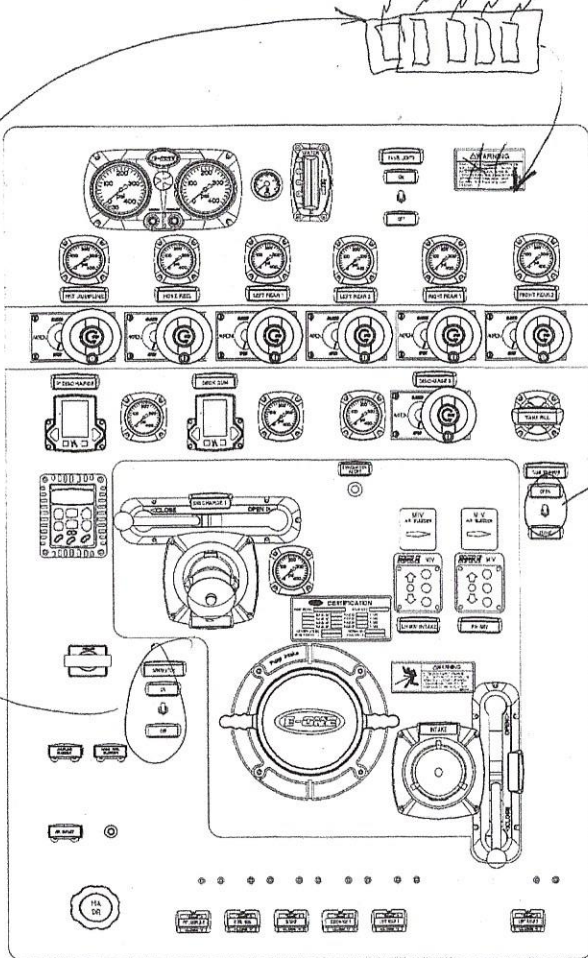


WISSAHICKON FIRE COMPANY
AMBLER, PA
 142022
 HALE QMAX

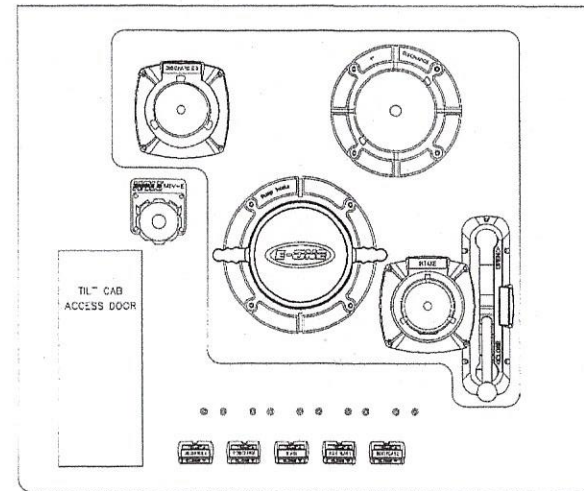
with revisions

J. Frankl 1/2/18
J. Frankl 1/9/18

same switch as pump shift



LEFT PANEL
 ← FORWARD



RIGHT PANEL
 → FORWARD

JSC ANN	B	INITIAL RELEASE	REVIEW	2017-DEC-28	JSCIANI
GFRANKLN	A	INITIAL RELEASE	INITIAL RELEASE	2017-DEC-21	GFRANKLN
DRAWN BY	REV	BODY	DESCRIPTION	DATE	APPROVED
PUMP PANEL		LAYOUT REV			PUMP PANEL REVISIONS