

WISSAHICKON FIRE CO.

AMBLER, PA.

SO 139428 / Q64300

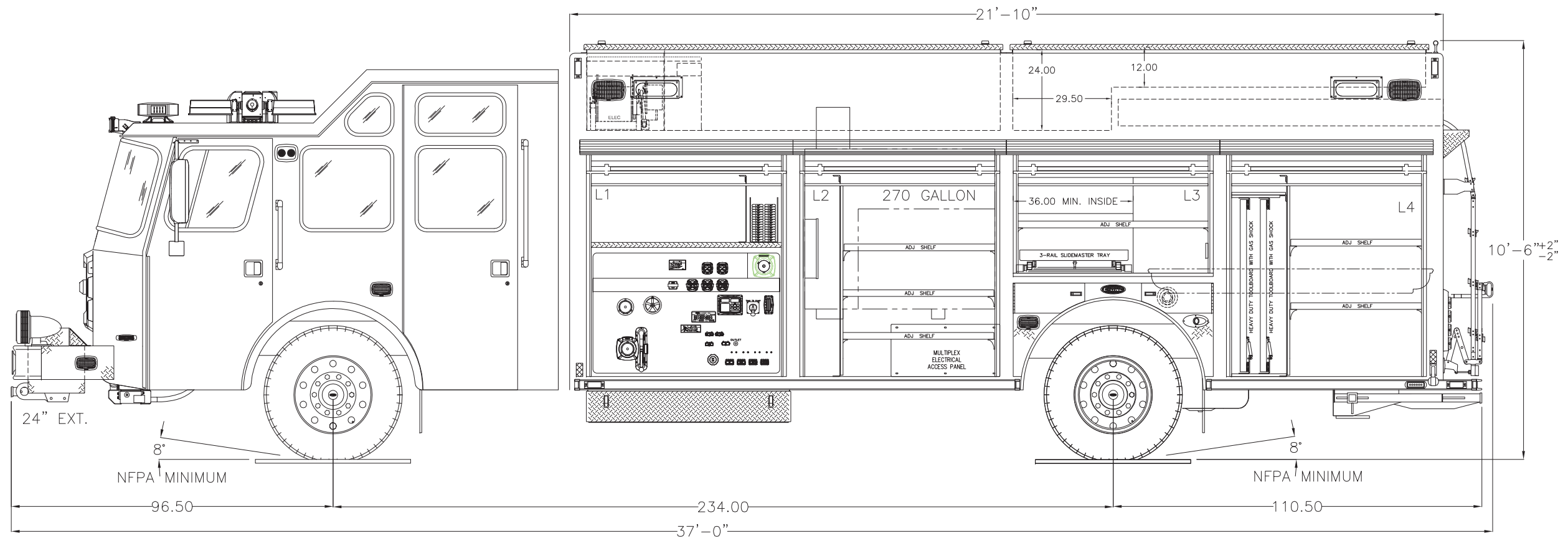
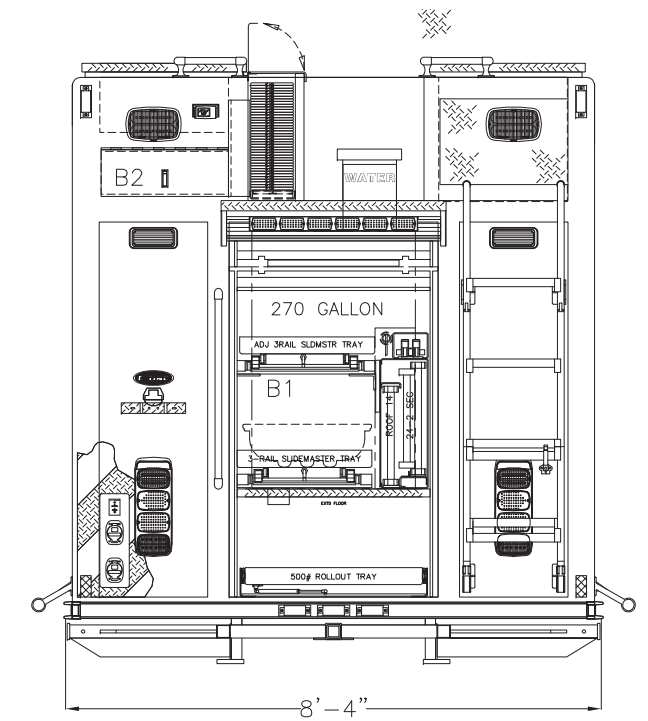
22' NON-WALKIN RESCUE (5/5/5/5)
TYPHOON X LONG CAB W/ MED DOORS & 16" VISTA

COMPT.	OPENING		INTERIOR DIMENSION			
L1	58W	62H	60W	30H	94D	UPPER
R1	58W	62H	60W	40H	10D	LOWER
L2/R2	58W	62H	60W	30H	94D	UPPER
L3	58W	30H	36 W	39H	55D	FWD
R3	58W	30H	24 W	39H	26D	AFT
L4/R4	58W	62H	60W	40H	26D	LOWER
B1	36W	62H	39 W	50H	90D	UPPER
B2	23W X	8H	23W X	8H	X 72D	LOWER
RTDS1	24W X	123L	24W X	123L	X 24D	
RTOS1	24W X	123L	24W X	123L	X 24D	
RTDS2	24W X	123L	24W X	123L	X 12D	
RTOS2	24W X	107L	24W X	107L	X 24D	

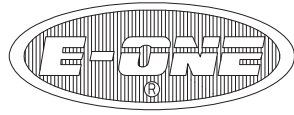
APPROVED FOR PRODUCTION

DESIGNER: John Nawrocki DATE: Jan 15 2015

This print is the property of Emergency One, Inc. and is loaned to you subject to return on demand, unless otherwise agreed to in writing by Emergency One, Inc. Its contents are confidential and must not be copied or submitted to third parties for use or examination.



JRN	G	CHG PER PRODUCTION	04/02/2015	JRN
DRAWN BY	REV	DESCRIPTION	DATE	APPROVED
APPROVAL REVISIONS				SHEET 1 OF 3

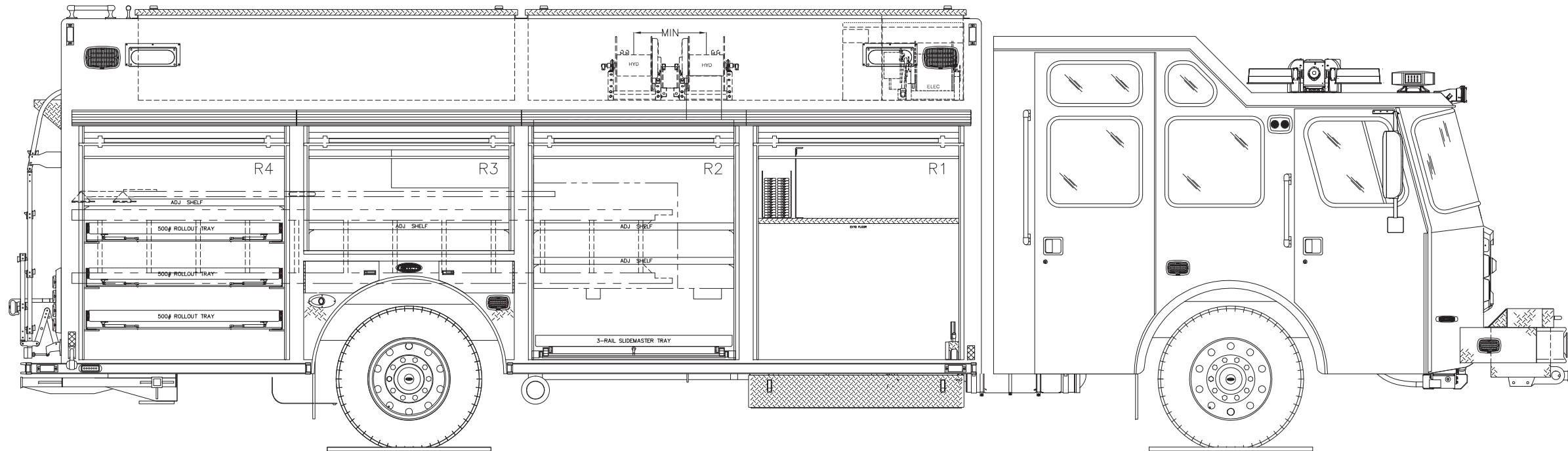
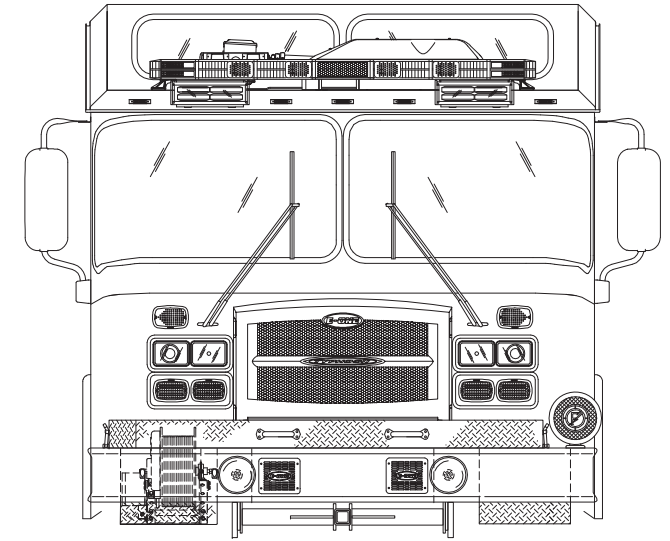


WISSAHICKON FIRE CO.

AMBLER, PA.

SO 139428 / Q64300

22' NON-WALKIN RESCUE (5/5/5/5)
TYPHOON X LONG CAB W/ MED DOORS & 16" VISTA



JRN	G	CHG PER PRODUCTION	04/02/2015	JRN
DRAWN BY	REV	DESCRIPTION	DATE	APPROVED
APPROVAL REVISIONS				SHEET 2 OF 3

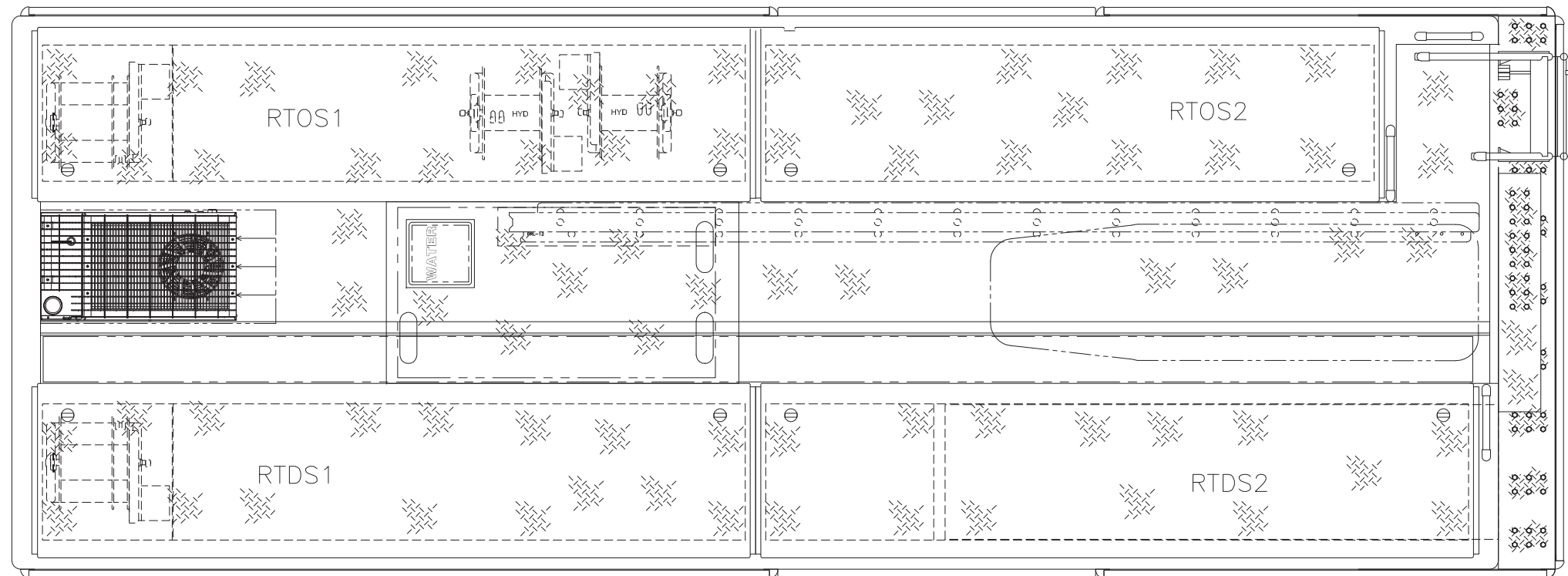


WISSAHICKON FIRE CO.

AMBLER, PA.

SO 139428 / Q64300

22' NON-WALKIN RESCUE (5/5/5/5)
TYPHOON X LONG CAB W/ MED DOORS & 16" VISTA



JRN	G	CHG PER PRODUCTION	04/02/2015	JRN
DRAWN BY	REV	DESCRIPTION	DATE	APPROVED
		APPROVAL REVISIONS		SHEET 3 OF 3