

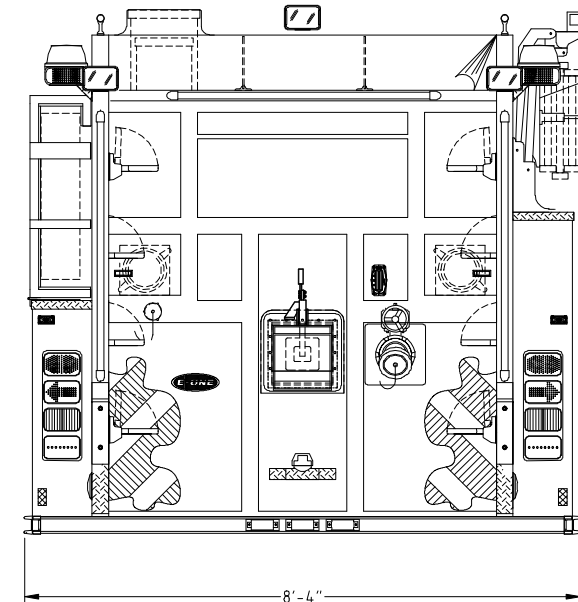
VILLAS VOLUNTEER FIRE COMPANY
VILLAS, NJ
QUOTE# 41976
CUSTOM TSTA 1830 TM TANKER
TYPHOON X MED 4DR 4X2 CHASSIS

1250 GPM HALE QFLO MIDSHIP PUMP	HOSE LOAD:
1830 GALLON POLY WATER TANK	NFPA PUMPER/TANKER
REAR MANUAL NEWTON DUMP ASSY	
ZICO LAS LADDER RACK OFFICERS SIDE	
5" FRONT INTAKE/4" REAR DIRECT INLET	

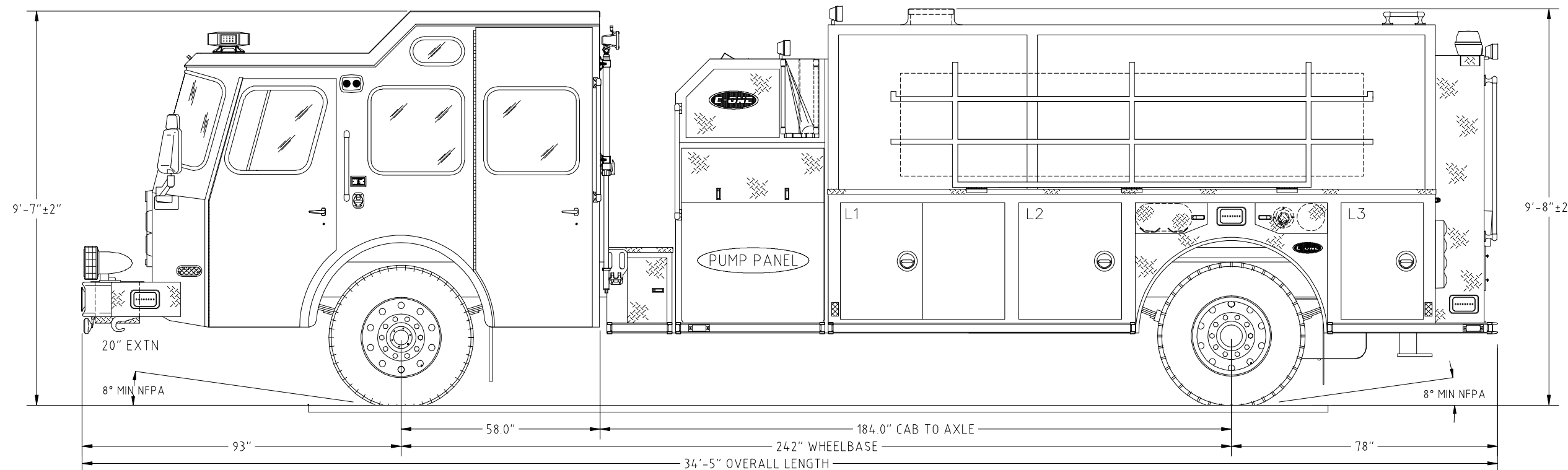
COMPT.	OPENING		INTERIOR DIMENSION		
L1/R1	48W	34H	48W	34H	26D
L2/R2	30W	34H	30W	34H	26D
L3/R3	24W	34H	24W	34H	26D
R4/R5/R6	54W	12H	54W	12H	12D

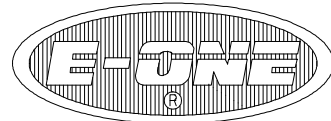
THIS DRAWING IS FOR REFERENCE PURPOSES. ALL DIMENSIONS ARE SUBJECT TO MINOR VARIATIONS DUE TO MANUFACTURING PROCESSES.

This print is the property of Emergency One, Inc. and is loaned to you subject to return on demand, unless otherwise agreed to in writing by Emergency One, Inc. Its contents are confidential and must not be copied or submitted to third parties for use or examination.



HOSEBED HEIGHT:
 (FOR REFERENCE ONLY)
 TO TAILBOARD: 77"
 TO GROUND: 101"





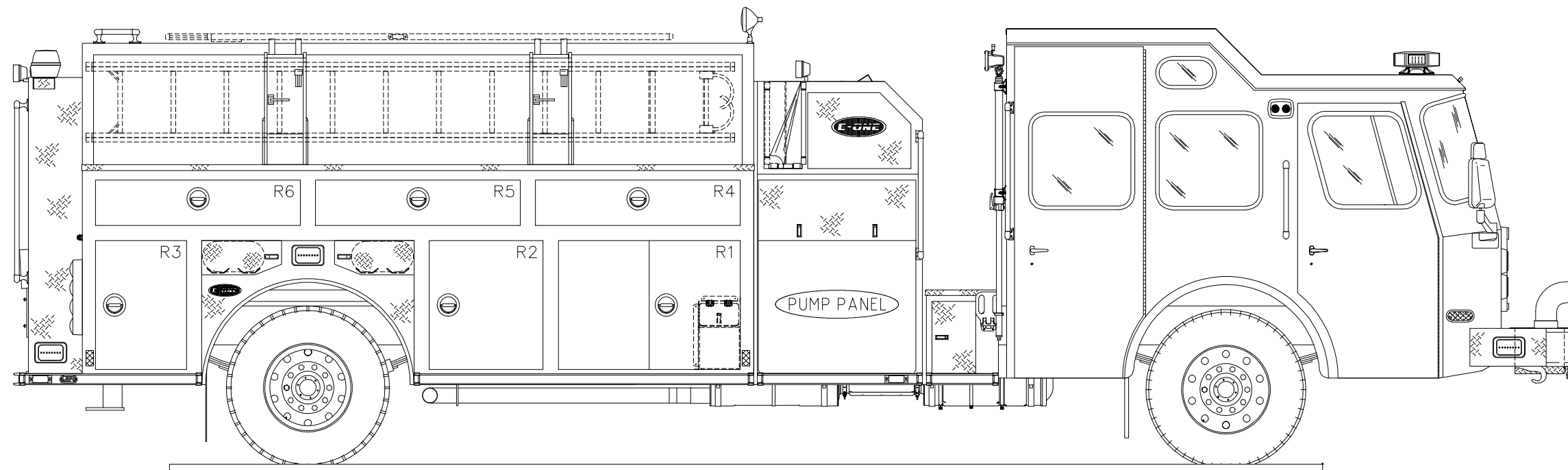
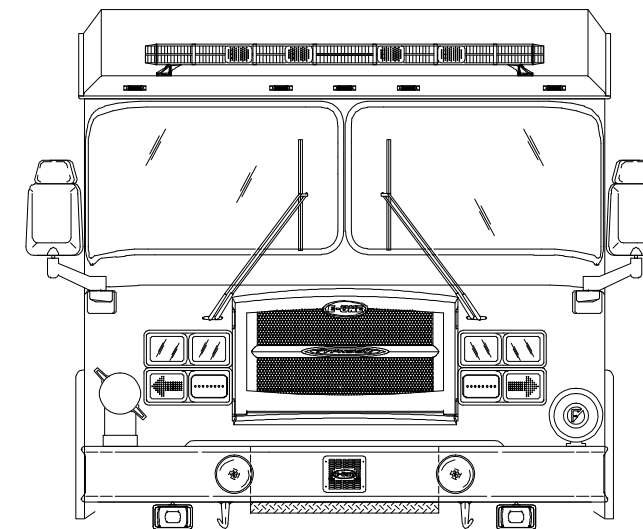
VILLAS VOLUNTEER FIRE COMPANY

VILLAS, NJ

QUOTE# 41976
CUSTOM TSTA 1830 TM TANKER
TYPHOON X MED 4DR 4X2 CHASSIS

THIS DRAWING IS FOR REFERENCE PURPOSES. ALL DIMENSIONS ARE SUBJECT TO MINOR VARIATIONS DUE TO MANUFACTURING PROCESSES.

This print is the property of Emergency One, Inc. and is loaned to you subject to return on demand, unless otherwise agreed to in writing by Emergency One, Inc. Its contents are confidential and must not be copied or submitted to third parties for use or examination.



REV	DESCRIPTION	DATE	APPROVED
1	INITIAL RELEASE	20100613	WJH
2	PROPOSAL REVISIONS		