

# UPPER SAUCON F.D.1 CENTER VALLEY, PA

S.O. 143952 / QUOTE 98645

AERIAL BODY  
E-ONE TYPHOON CHASSIS  
HP78 AERIAL LADDER

THIS DRAWING IS FOR REFERENCE PURPOSES. ALL DIMENSIONS ARE SUBJECT TO MINOR VARIATIONS DUE TO MANUFACTURING PROCESSES.

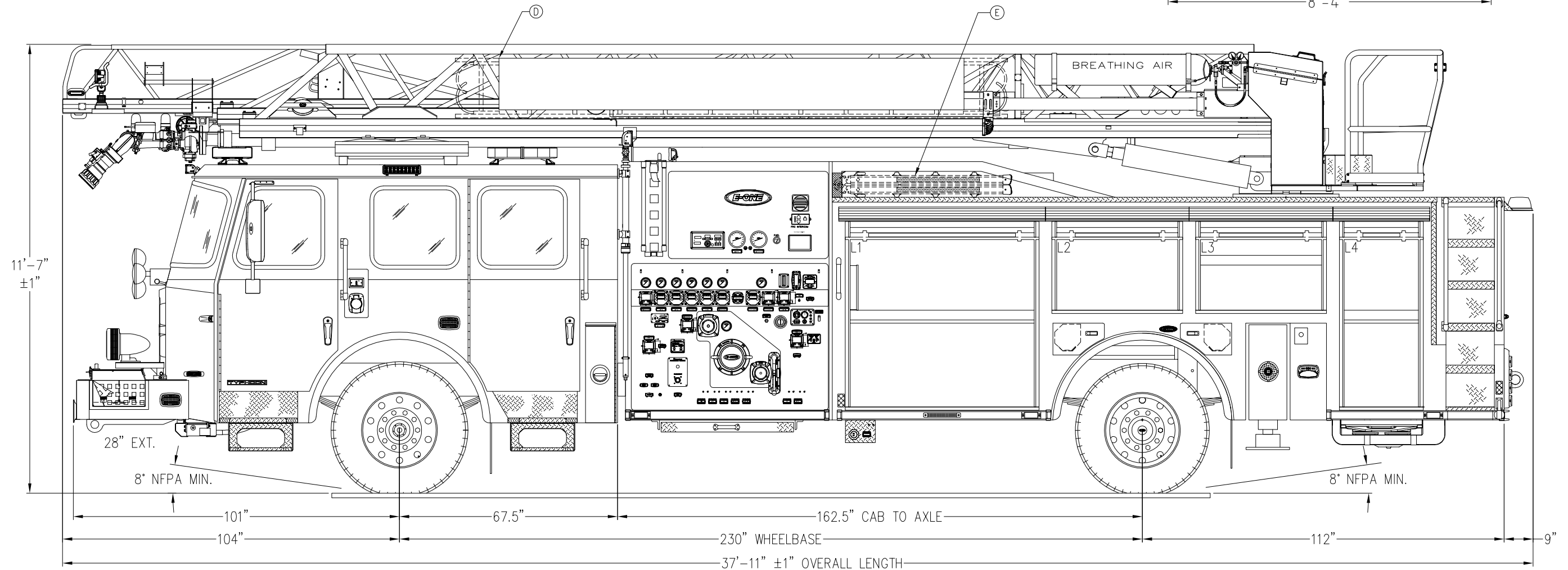
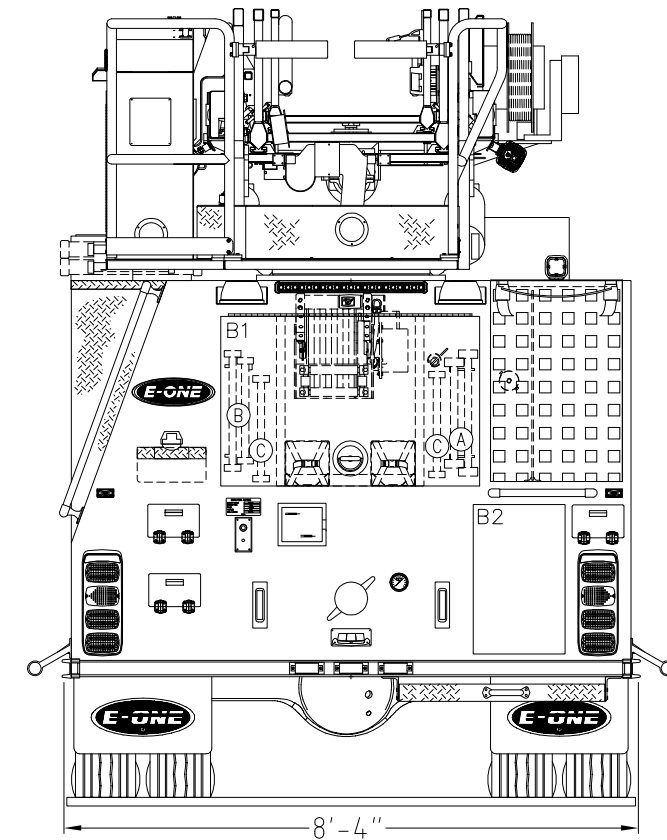
**APPROVED FOR PRODUCTION**

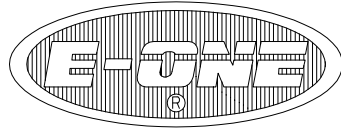
DESIGNER: GABRIEL CRET JR. DATE: 2020-MAR-27

1500 GPM DARLEY LDMBC/CAFS	HOSE LOAD:
500 GALLON WATER TANK	400' OF 3.00" DJ
30 GALLON INTEGRAL "A" FOAM CELL	1000' OF 5.00" LDH

COMPT.	OPENING		INTERIOR DIMENSION			
L1	58W	52H	60W	35H	24D	UPPER
L2	38W	22H	60W	26H	26D	LOWER
L3	38W	22H	40W	21H	21D	UPPER
L4	24W	52H	40W	14H	24D	LOWER
L4	24W	52H	26W	35H	24D	UPPER
L4	24W	52H	26W	26H	26D	LOWER
R1	58W	52H	60W	35H	23D	UPPER
R2	47W	26H	60W	26H	26D	LOWER
B1	45W	28H	TURNTABLE ACCESS/LADDERS			
B2	16W	26H	16W	26H	16D	

GROUND LADDERS					
ITEM	LADDER LENGTH	MODEL NUMBER	QTY		
A	28' 2-SECT.	PEL-28	1		
B	24' 2-SECT.	PEL-24	1		
C	16' ROOF	DRL-16	3	ONE ON AERIAL	
D	14' ROOF	DRL-14	1	ON AERIAL	
E	LITTLE GIANT	MODEL 17	1		





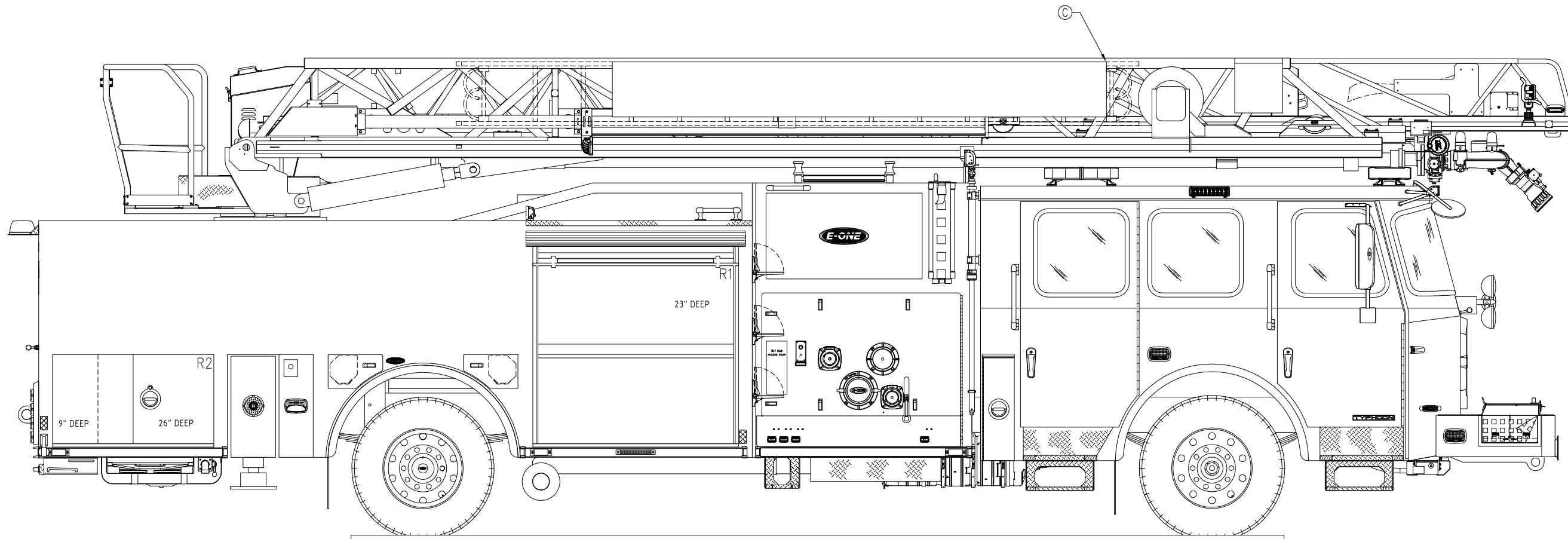
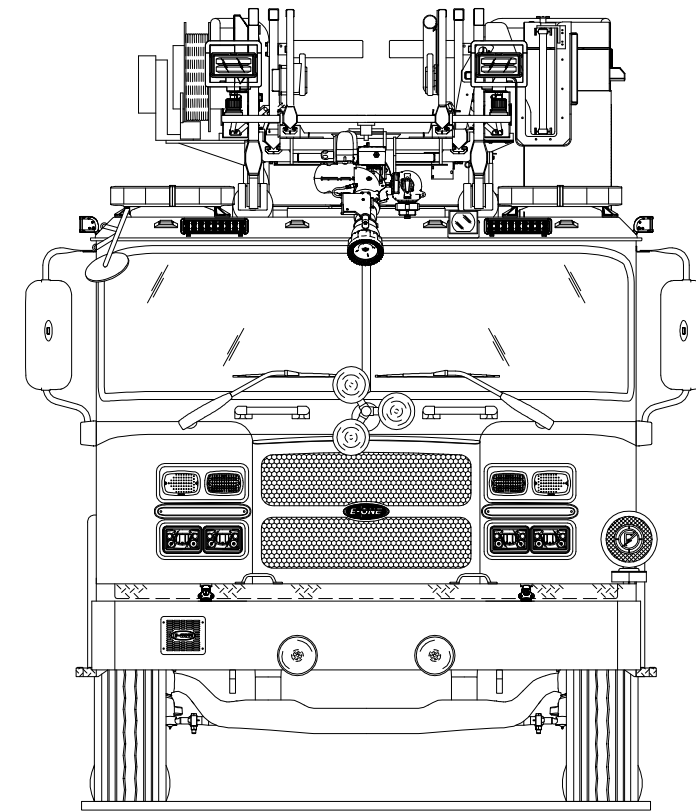
# UPPER SAUCON F.D.1 CENTER VALLEY, PA

S.O. 143952 / QUOTE 98645  
AERIAL BODY  
E-ONE TYPHOON CHASSIS  
HP78 AERIAL LADDER

THIS DRAWING IS FOR REFERENCE PURPOSES. ALL DIMENSIONS ARE  
SUBJECT TO MINOR VARIATIONS DUE TO MANUFACTURING PROCESSES.

APPROVED FOR PRODUCTION

DESIGNER: GABRIEL CRET JR. DATE: 2020-MAR-27



WSTRINGFELLOW	C	CHANGE ORDER	2020-MAY-29	GACRET
DRAWN BY	REV	DESCRIPTION	DATE	APPROVED
		PROPOSAL REVISIONS		SHEET 2 OF 2