

UPPER FREDERICK FIRE COMPANY

PERKIOMENVILLE, PA

SO.144055 / QUOTE 98172

PUMPER

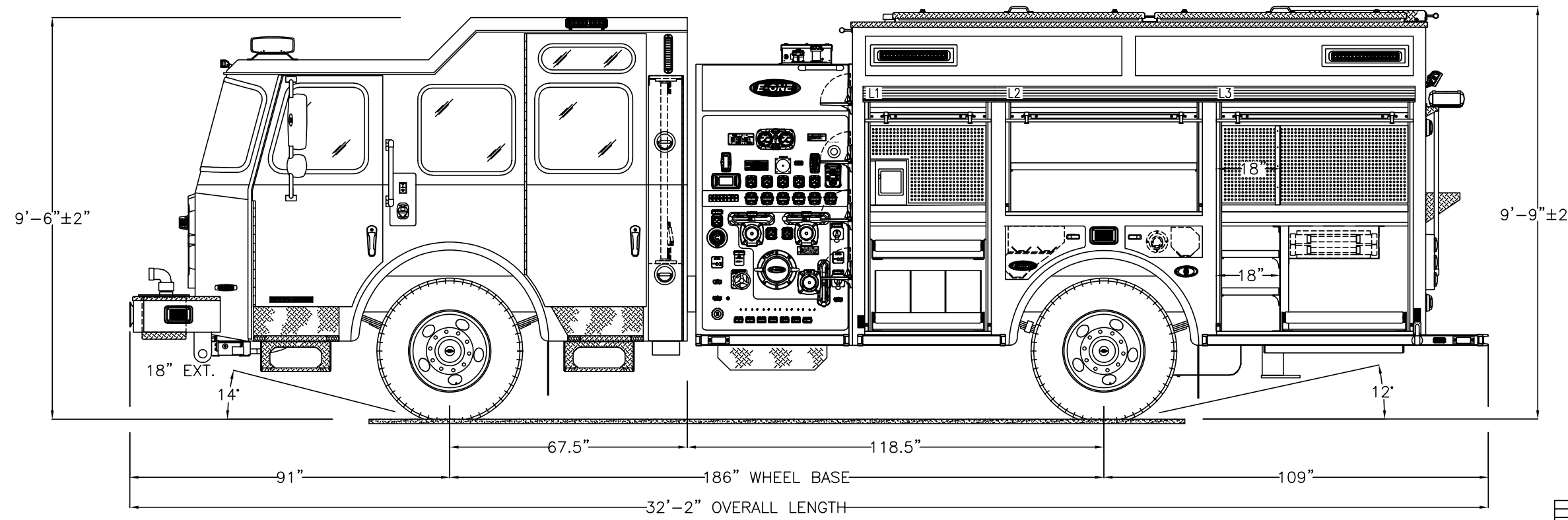
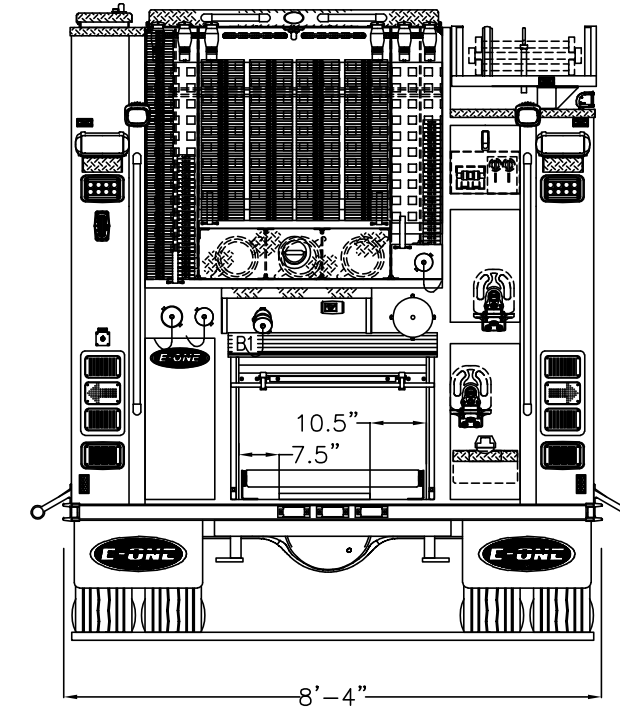
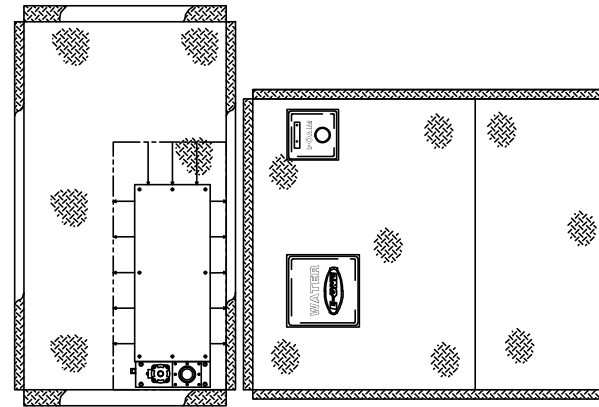
TYPHOON 4X2 CHASSIS

1500 GPM HALE QMAX PUMP 750 GALLON WATER 30 GALLON INTEGRAL CLASS "A" FOAM			HOSE LOAD:			
			400' OF 3.00" DJ			
			250' OF 1.75" DJ			
			1200' OF 5.00" LDH			
250' OF 1.75" DJ						
COMPT.	OPENING		INTERIOR DIMENSION			
L1	34W	59H	36W	25H	12D	UPPER
L2	54W	25H	56W	25H	12D	LOWER
L3	54W	59H	56W	25H	12D	UPPER
R1	34W	59H	36W	3H	12D	UPPER
R2	31W	25H	33W	3H	12D	UPPER
R3	54W	59H	56W	3H	12D	UPPER
B1	36W	20H	38W	30H	36D	LOWER

THIS DRAWING IS FOR REFERENCE PURPOSES. ALL DIMENSIONS ARE SUBJECT TO MINOR VARIATIONS DUE TO MANUFACTURING PROCESSES.

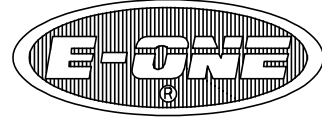
(FOR INTERNAL SALES PURPOSES ONLY)

DEALER APPROVAL _____ DATE _____ AS IS
 CUSTOMER APPROVAL _____ DATE _____ WITH REVISIONS



DGALLAGHER	C	PT ISSUE	2020-JUN-02	DGALLAGHER
DGALLAGHER	B	RFI	2020-MAY-13	JRAY
DGALLAGHER	A	INITIAL RELEASE	2020-APR-14	JRAY
DRAWN BY	REV	DESCRIPTION	DATE	APPROVED
APPROVAL REVISIONS				SHEET 1 OF 2

Date Printed: 2020-07-02 at 10:14:24 EDT Username: Iroldan
 Creator: Dray, Jim Version: A.3 State: Released Context: Pumper
 Location: /Default/144000/144055/Sales Drawings

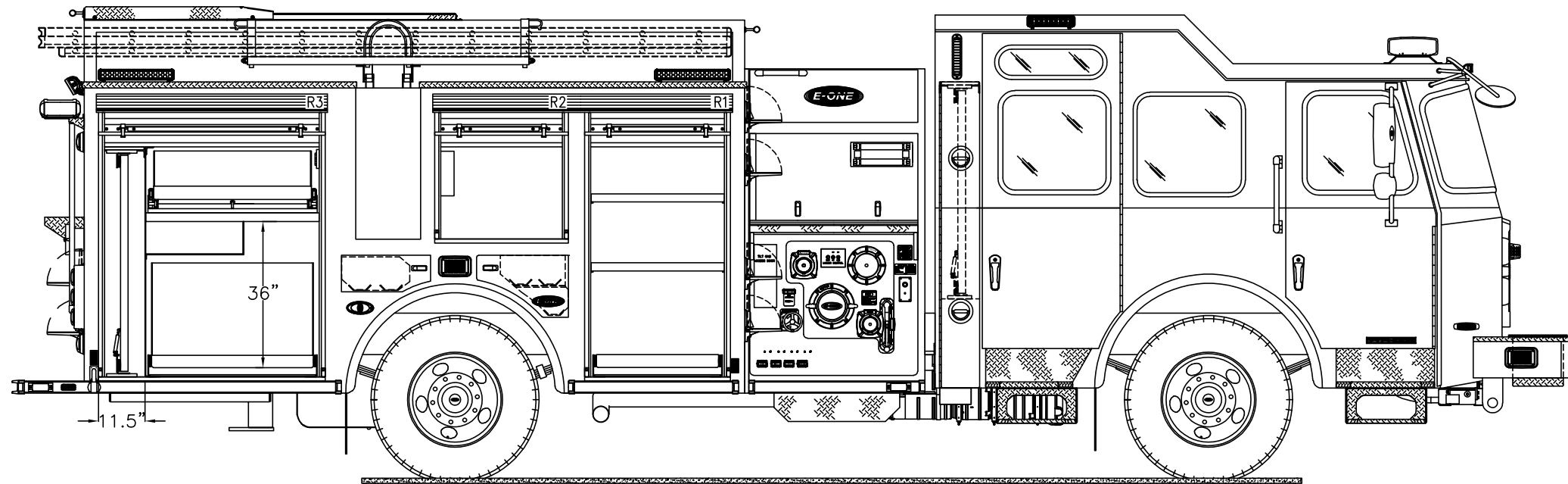
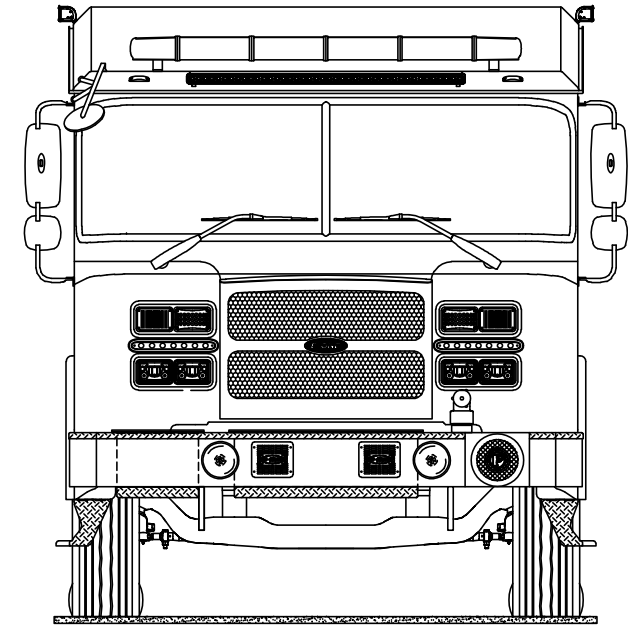
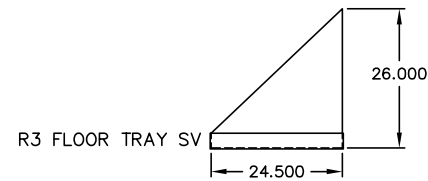
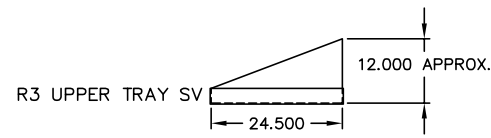
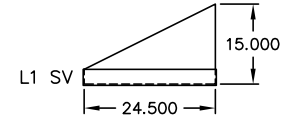


UPPER FREDERICK FIRE COMPANY
PERKIOMENVILLE, PA
SO.144055 / QUOTE 98172
PUMPER
TYPHOON 4X2 CHASSIS

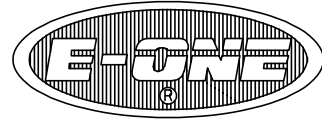
THIS DRAWING IS FOR REFERENCE PURPOSES. ALL DIMENSIONS ARE
 SUBJECT TO MINOR VARIATIONS DUE TO MANUFACTURING PROCESSES.

(FOR INTERNAL SALES PURPOSES ONLY)

DEALER APPROVAL _____ DATE _____ AS IS
 CUSTOMER APPROVAL _____ DATE _____ WITH REVISIONS



DCALLAGHER	C	PT ISSUE	2020-JUN-02	DCALLAGHER
DCALLAGHER	B	RFC	2020-MAY-13	JRAY
DCALLAGHER	A	INITIAL RELEASE	2020-APR-14	JRAY
DRAWN BY	REV	DESCRIPTION	DATE	APPROVED
APPROVAL REVISIONS				SHEET 2 OF 2

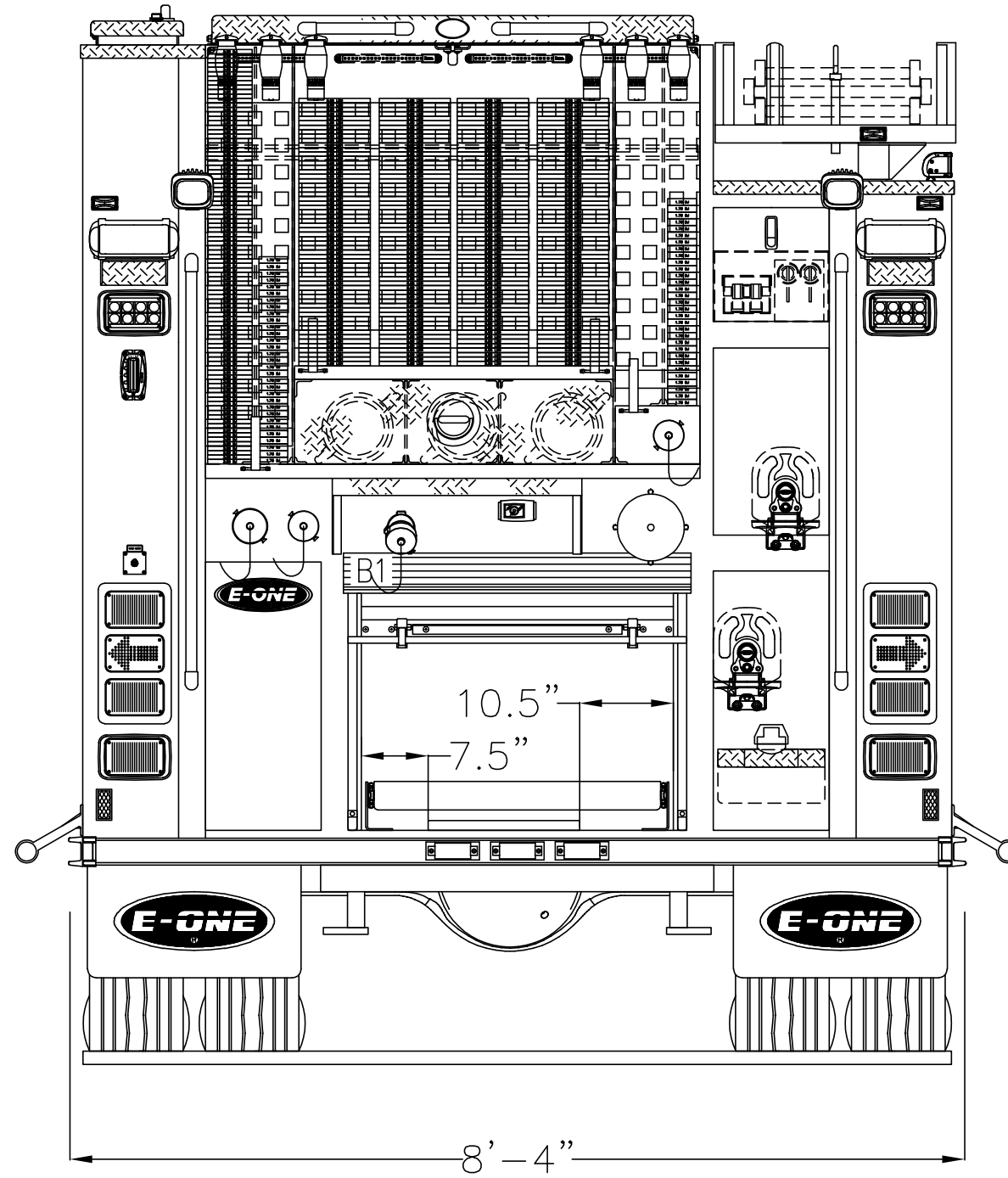


UPPER FREDERICK FIRE COMPANY
PERKIOMENVILLE, PA
SO.144055 / QUOTE 98172
PUMPER
TYPHOON 4X2 CHASSIS

THIS DRAWING IS FOR REFERENCE PURPOSES. ALL DIMENSIONS ARE SUBJECT TO MINOR VARIATIONS DUE TO MANUFACTURING PROCESSES.

(FOR INTERNAL SALES PURPOSES ONLY)

DEALER APPROVAL _____ DATE _____ AS IS
 CUSTOMER APPROVAL _____ DATE _____ WITH REVISIONS



HOSEBED HEIGHT:
 (FOR REFERENCE ONLY)
 TO TAILBOARD: 42"
 TO GROUND: 66"

DCALLAGHER	C	PIT ISSUE	2020-JUN-02	DCALLAGHER
DCALLAGHER	B	RFC	2020-MAY-13	JRAY
DCALLAGHER	A	INITIAL RELEASE	2020-APR-14	JRAY
DRAWN BY	REV	DESCRIPTION	DATE	APPROVED
APPROVAL REVISIONS				SHEET 2 OF 2