

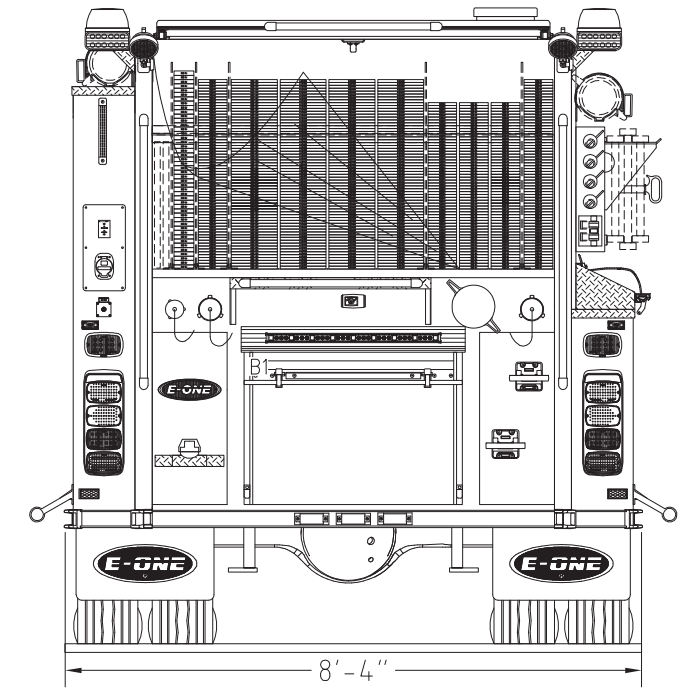
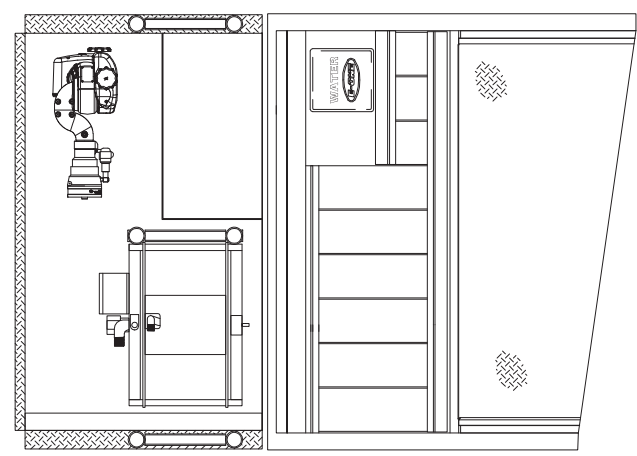
TOWNSHIP OF SPRING FIRE AND RESCUE
WEST LAWN, PA.
S.O. 141248 / QUOTE 76812
CUSTOM 24 PUMPER
E-ONE TYPHOON X LONG CAB 4X2 CHASSIS

1500 GPM HALE QMAX PUMP 530 GALLON WATER TANK	HOSE LOAD:		
	400'	OF	2.00" DJ
	300'	OF	3.00" DJ
	1500'	OF	5.00" LDH
	800'	OF	3.00" DJ
300'	OF	3.00" DJ	

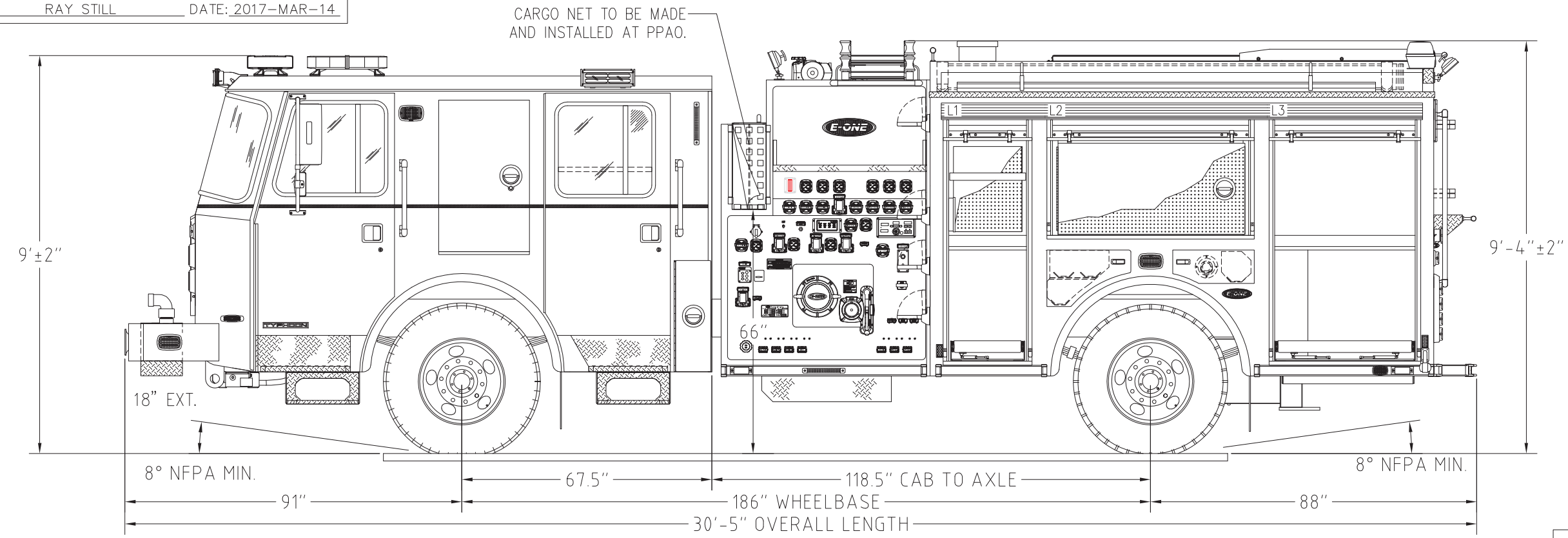
COMPT.	OPENING		INTERIOR DIMENSION			
	24W	25H	12D	UPPER	LOWER	
L1	22W	59H	24W	25H	12D	UPPER
L2	54W	25H	56W	25H	12D	LOWER
L3	39W	59H	41W	25H	12D	UPPER
R1	22W	21H	24W	30H	26D	LOWER
R2	39W	21H	41W	30H	26D	
B1	36W	21H	38W	30H	32D	

THIS DRAWING IS FOR REFERENCE PURPOSES. ALL DIMENSIONS ARE SUBJECT TO MINOR VARIATIONS DUE TO MANUFACTURING PROCESSES.

APPROVED FOR PRODUCTION
 DESIGNER: RAY STILL DATE: 2017-MAR-14



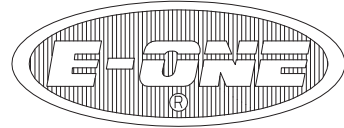
HOSEBED HEIGHT:
 (FOR REFERENCE ONLY)
 TO TAILBOARD: 42"
 TO GROUND: 66"



CARGO NET TO BE MADE AND INSTALLED AT PPAO.

REV	DESCRIPTION	DATE	APPROVED
D	ACTION ITEMS	2017-MAY-03	RSTILL
C	CUSTOMER CHANGES / ORDER REVIEW 3	2017-APR-12	RSTILL
B	FPF REVIEW	2017-MAR-14	RSTILL
A	INITIAL RELEASE / ORDER SCRUB	2017-FEB-14	RSTILL

DRAWN BY: REV
 PROPOSAL REVISIONS

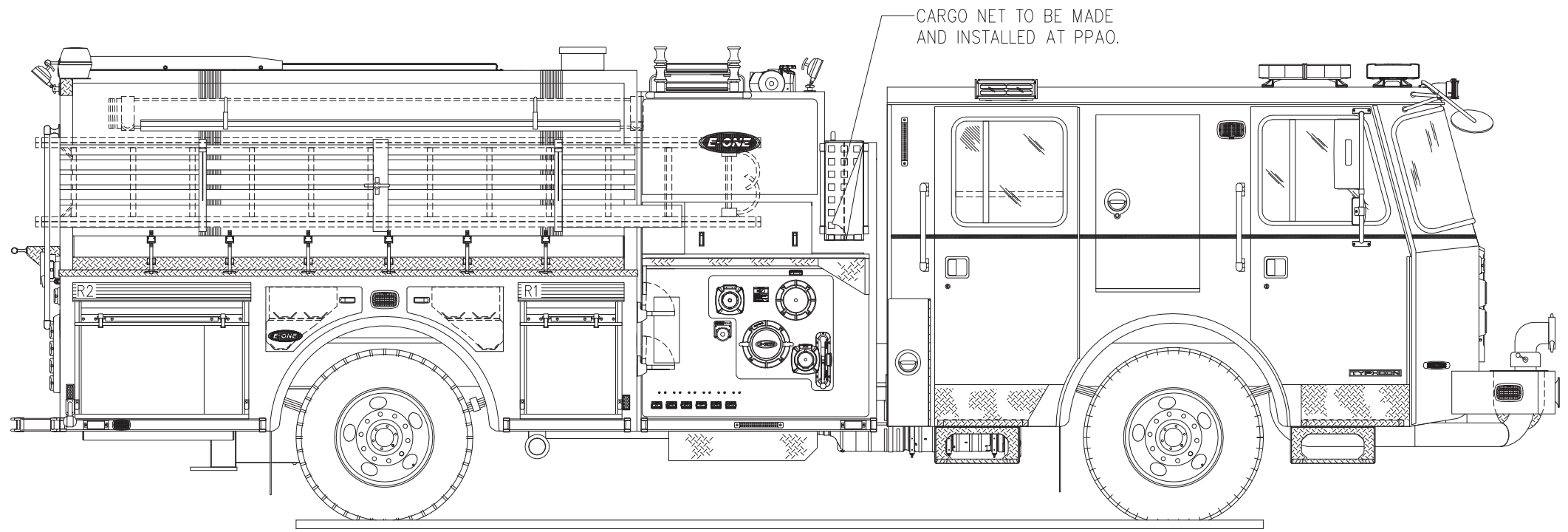
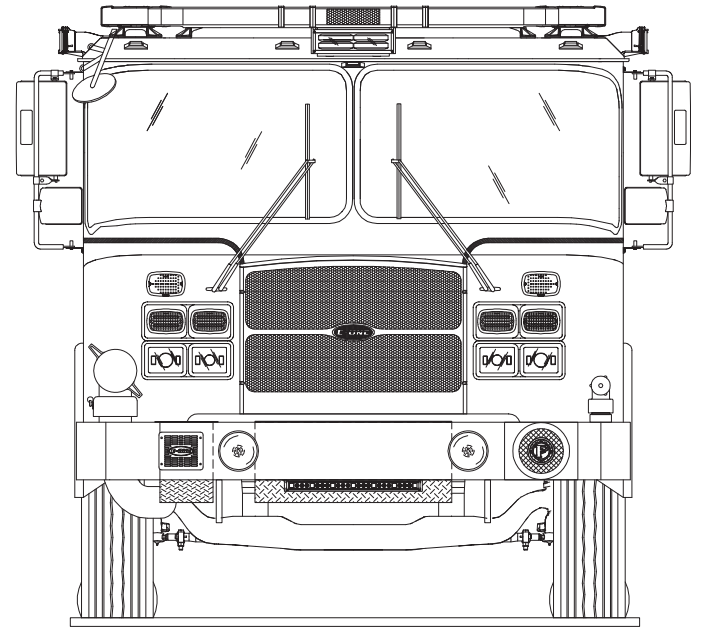


TOWNSHIP OF SPRING FIRE AND RESCUE
WEST LAWN, PA.
S.O. 141248 / QUOTE 76812
CUSTOM 24 PUMPER
E-ONE TYPHOON X LONG CAB 4X2 CHASSIS

THIS DRAWING IS FOR REFERENCE PURPOSES. ALL DIMENSIONS ARE
 SUBJECT TO MINOR VARIATIONS DUE TO MANUFACTURING PROCESSES.

APPROVED FOR PRODUCTION

DESIGNER: RAY STILL DATE: 2017-MAR-14



REV	DESCRIPTION	DATE	APPROVED
D	ACTION ITEMS	2017-MAY-03	RSTILL
C	CUSTOMER CHANGES / ORDER REVIEW 3	2017-APR-12	RSTILL
B	PP REVIEW	2017-MAR-14	RSTILL
A	INITIAL RELEASE / ORDER SCRUB	2017-FEB-14	RSTILL