

SWEDELAND FIRE CO.
KING OF PRUSSIA, PA

SO139690
 AERIAL BODY
 CYCLONE II X CHASSIS
 100' AERIAL LADDER

THIS DRAWING IS FOR REFERENCE PURPOSES. ALL DIMENSIONS ARE SUBJECT TO MINOR VARIATIONS DUE TO MANUFACTURING PROCESSES.

APPROVED FOR PRODUCTION

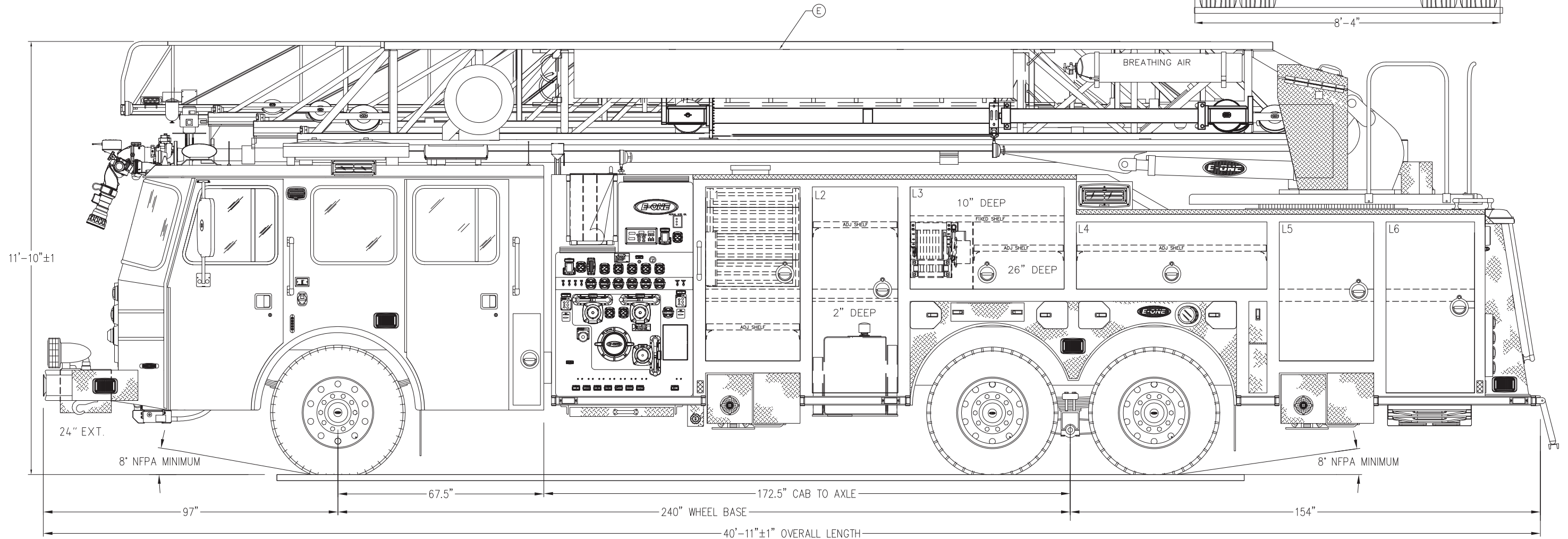
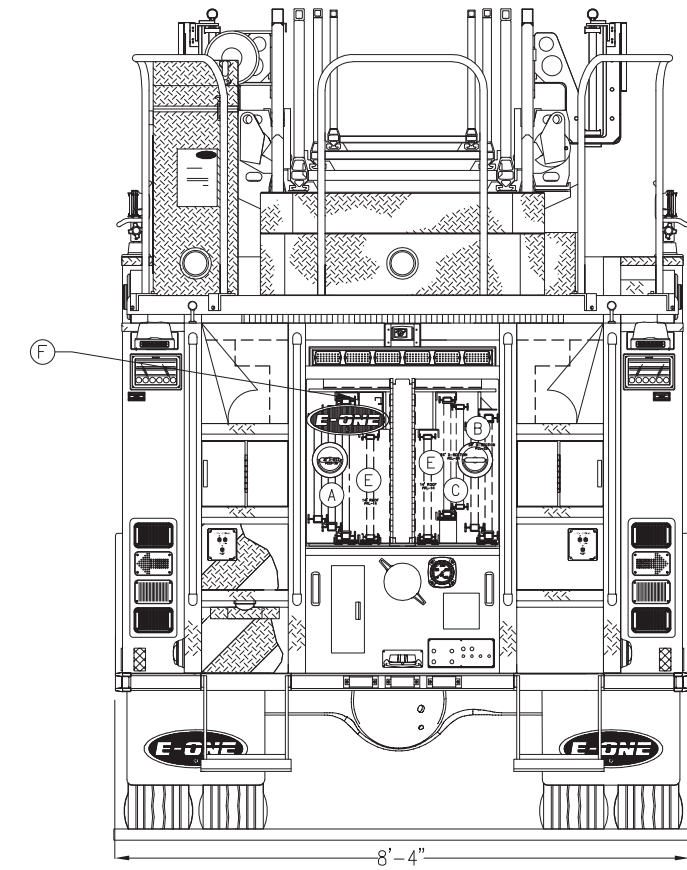
DESIGNER: D. BRAY DATE: 2015-05-22

1500 GPM HALE QMAX PUMP 475 GALLON WATER TANK	HOSE LOAD: 1000' OF 5.00" LDH
--	---

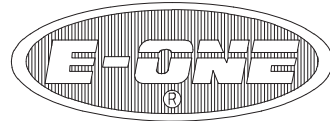
COMPT.	OPENING		INTERIOR DIMENSION			
L1/R1	31W	57H	31W	33H	12D	UPPER
			31W	19H	14D	LOWER
L2	28W	67H	28W	33H	12D	UPPER
			AERIAL HYDRAULIC RESERVOIR			
R2	28W	67H	28W	33H	12D	UPPER
			28W	30H	26D	LOWER
L3/R3	50W	33H	50W	11H	10D	UPPER
			50W	22H	NOTE D	LOWER
L4/R4	62W	22H	62W	22H	12D	
L5/R5	31W	45H	31W	22H	12D	UPPER
			31W	19H	14D	LOWER
L6/R6	29W	56H	29W	22H	12D	UPPER
			29W	30H	24D	LOWER

GROUND LADDERS			
ITEM	LADDER LENGTH	MODEL NUMBER	QTY
A	35' 3-SECT.	PEL3-35	1
B	28' 2-SECT.	PEL-28	1
C	24' 2-SECT.	PEL-24	1
D	16' ROOF	PRL-16	1
E	14' ROOF	PRL-14	3
F	10' FOLDING	FL-10	1

ON AERIAL
 ONE ON AERIAL



D/B	B	RFP	2015-MAY-22	D/B
ZSCHULTZ	A	INITIAL RELEASE	2015-MAY-01	REM
DRAWN BY	REV	DESCRIPTION	DATE	APPROVED
		PROPOSAL REVISIONS		SHEET 1 OF 2



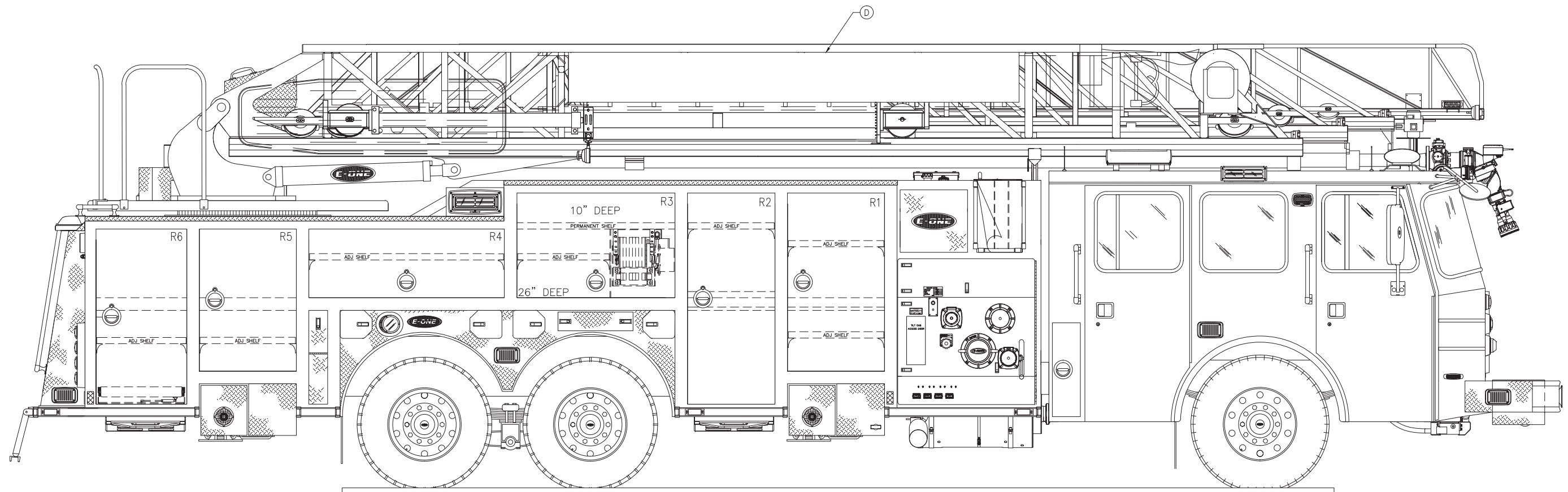
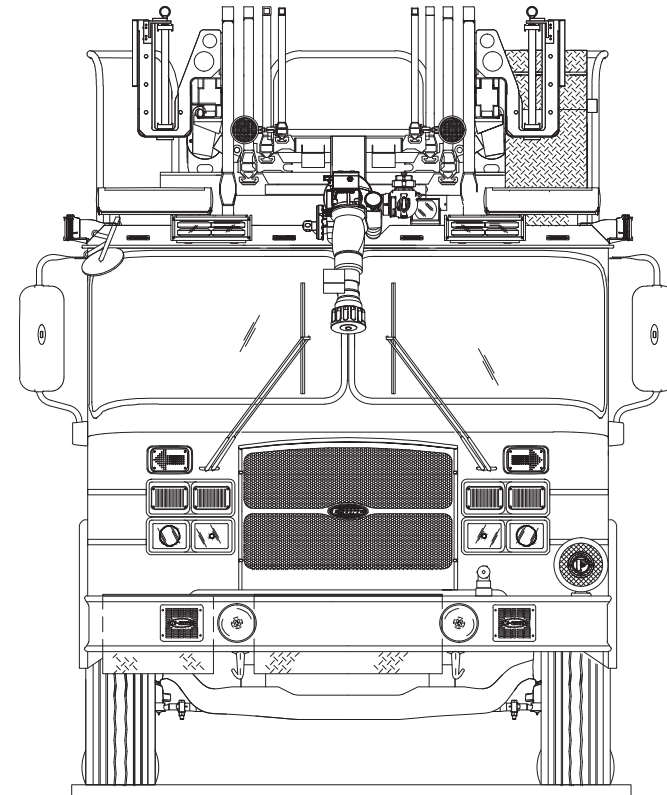
SWEDELAND FIRE CO. KING OF PRUSSIA, PA

S0139690
AERIAL BODY
CYCLONE II X CHASSIS
100' AERIAL LADDER

THIS DRAWING IS FOR REFERENCE PURPOSES. ALL DIMENSIONS ARE
SUBJECT TO MINOR VARIATIONS DUE TO MANUFACTURING PROCESSES.

APPROVED FOR PRODUCTION

DESIGNER: D. BRAY DATE: 2015-05-22



REV	DESCRIPTION	DATE	APPROVED
0	INITIAL RELEASE	2015-MAY-01	REV
1	PROPOSAL REVISIONS		

DJB 8 RFP 2015-MAY-22 DJB
ZSCHULTZ A INITIAL RELEASE 2015-MAY-01 REV
DRAWN BY REV DESCRIPTION DATE APPROVED
SHEET 2 OF 2