

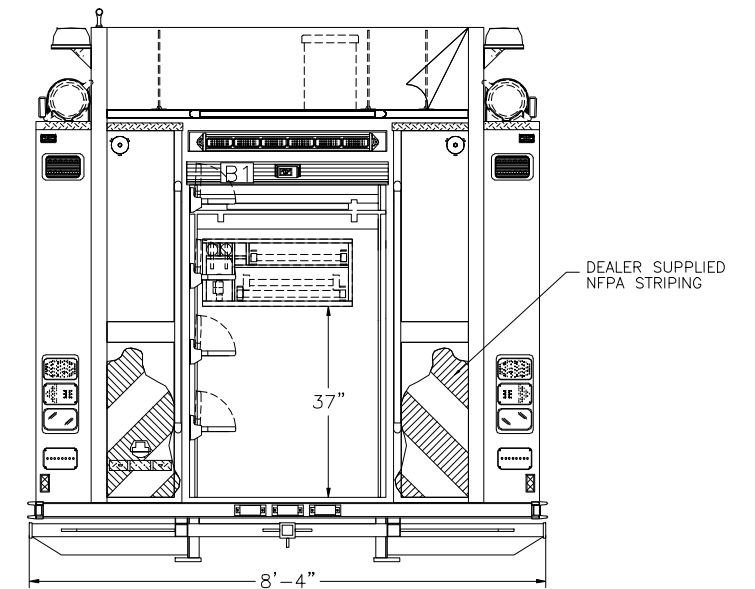
SPRING MILL FIRE COMPANY
CONSHOHOCKEN, PA
SO# 137853 / Q51533
CUSTOM 42 RESCUE PUMPER
E-ONE TYPHOON X LONG 4X2 CHASSIS

2000 GPM HALE QMAX PUMP			REQ'D HOSE LOAD:		
1280 GAL POLY III WATER (1000W with LADDER TNL)			300' OF 2.50" DJ		
THRU THE TANK LADDER TUNNEL			1100' OF 5.0" LDH		
8KW SMARTPOWER HYDRL GENERATOR			500' OF 3.00" DJ		
300' OF 1.50" DJ					
COMPT.	OPENING		INTERIOR DIMENSION		
L1/R1	46W	59H	48W	3H	12D UPPER
			48W	56H	26D LOWER
L2/R2	54W	25H	56W	3H	12D UPPER
			56W	22H	26D LOWER
L3/R3	54W	59H	42W	3H	12D FRONT UPPER
			42W	56H	26D FRONT LOWER
			14W	3H	10D REAR UPPER
			14W	56H	24D REAR LOWER
B1	36W	55H	38W	52H	26D

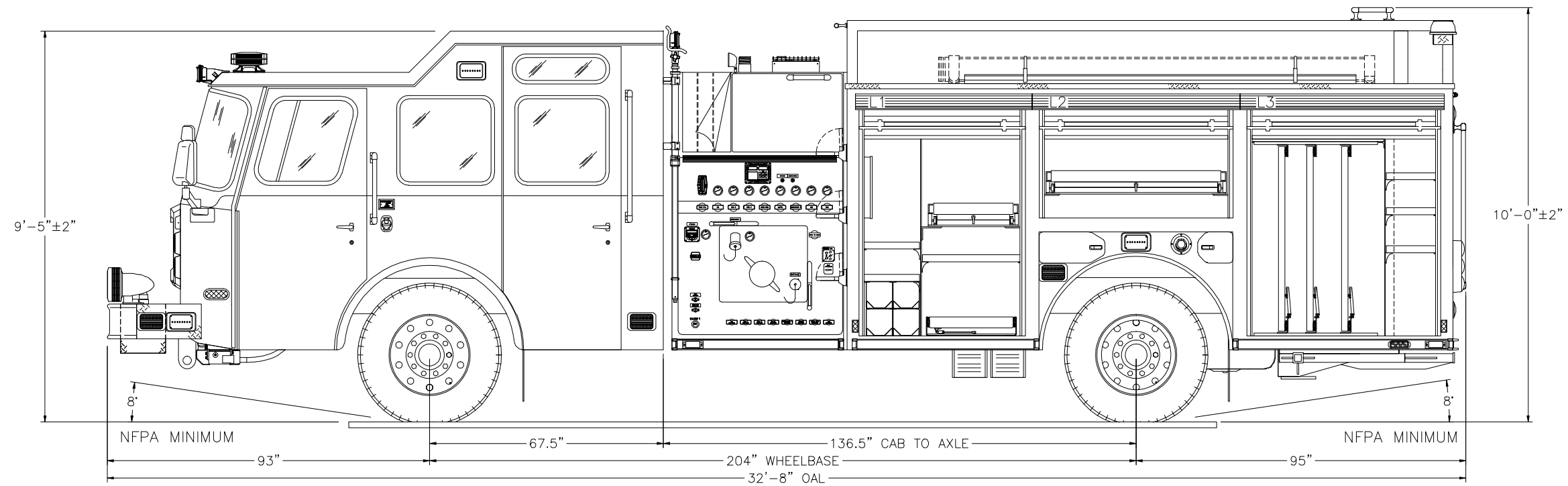
THIS DRAWING IS FOR REFERENCE PURPOSES. ALL DIMENSIONS ARE SUBJECT TO MINOR VARIATIONS DUE TO MANUFACTURING PROCESSES.

APPROVED FOR PRODUCTION

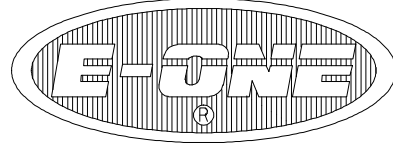
DESIGNER: _____ HAYDEN _____ DATE: 12/19/12



HOSEBED HEIGHT:
 (FOR REFERENCE ONLY)
 TO TAILBOARD: 73"
 TO GROUND: 97"



WH	D	RFP	2012-DEC-19	WH
WH	C	RFC	2012-NOV-20	WH
DJB	B	RFC	2012-NOV-08	DJB
WH	A	INITIAL RELEASE	2012-OCT-31	WH
DRAWN BY	REV	DESCRIPTION	DATE	APPROVED
APPROVAL REVISIONS				SHEET 1 OF 2

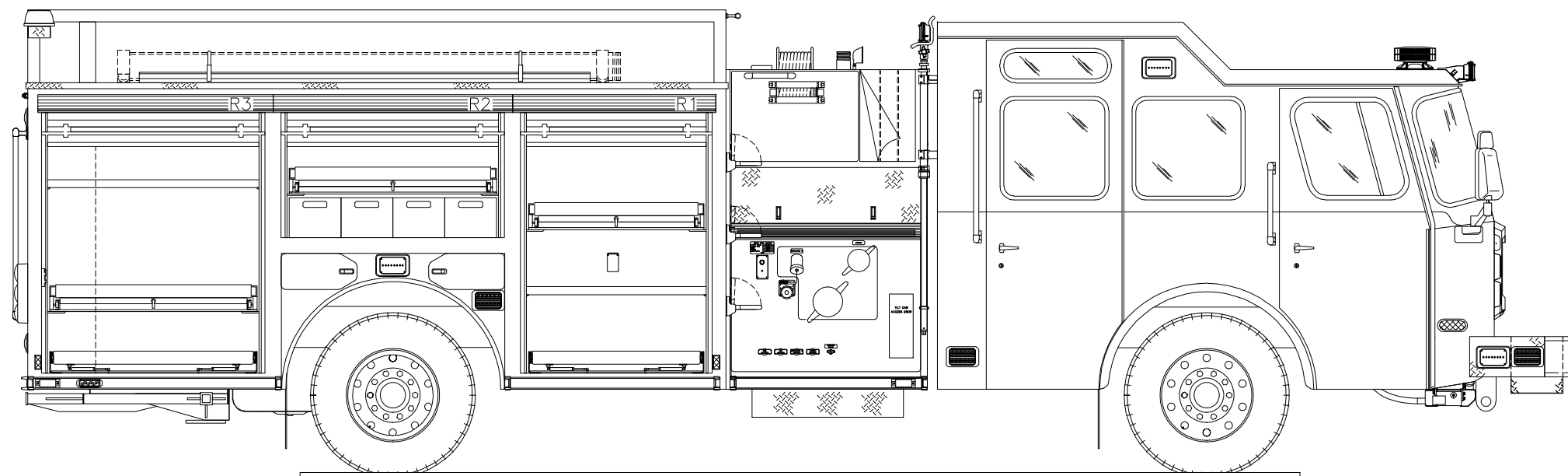
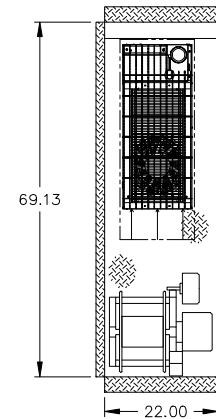
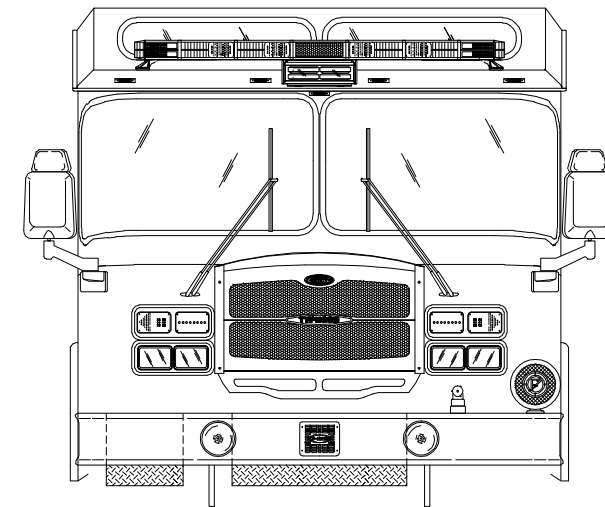


SPRING MILL FIRE COMPANY
CONSHOHOCKEN, PA
SO# 137853 / Q51533
CUSTOM 42 RESCUE PUMPER
E-ONE TYPHOON X LONG 4X2 CHASSIS

THIS DRAWING IS FOR REFERENCE PURPOSES. ALL DIMENSIONS ARE
 SUBJECT TO MINOR VARIATIONS DUE TO MANUFACTURING PROCESSES.

APPROVED FOR PRODUCTION

DESIGNER: HAYDEN DATE: 12/19/12



WH	D	RFC	2012-DEC-19	WH
WH	C	RFC	2012-NOV-20	WH
D,B	B	RFC	2012-NOV-08	D,B
WH	A	INITIAL RELEASE	2012-OCT-31	WH
DRAWN BY	REV	DESCRIPTION	DATE	APPROVED
APPROVAL REVISIONS				SHEET 2 OF 2