

# SOUTHAMPTON FIRE COMPANY NO.1 SOUTHAMPTON, PA.

S.O. 142387 / Q85554

CUSTOM 36 PUMPER

E-ONE TYPHOON X LONG CAB 4X2 CHASSIS

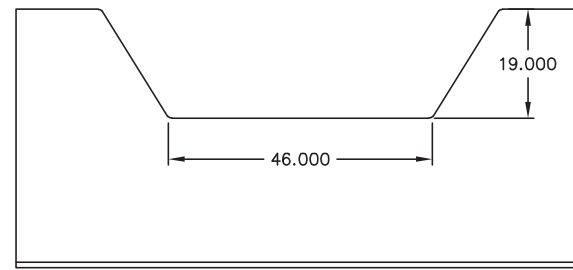
2000 GPM HALE QMAX PUMP 780 GALLON TANK	<b>HOSE LOAD:</b>
	450' OF 1.75" DJ
	1800' OF 5.00" DJ
	400' OF 3.00" DJ

COMPT.	OPENING		INTERIOR DIMENSION			
L1	34W	59H	36W	25H	12D	UPPER
			36W	30H	26D	LOWER
L2	54W	25H	56W	25H	12D	
L3	48W	59H	50W	25H	12D	UPPER
			50W	30H	26D	LOWER
R1	36W	30H	36W	30H	26D	
R2	50W	30H	50W	30H	26D	
B1	36W	21H	38W	30H	40D	

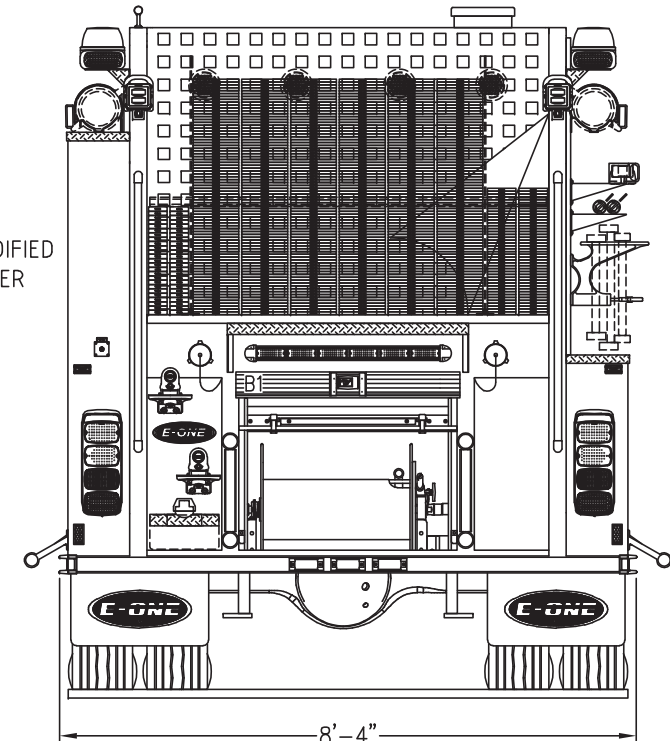
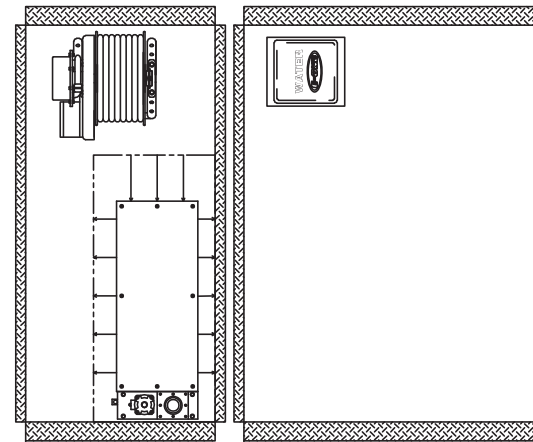
THIS DRAWING IS FOR REFERENCE PURPOSES. ALL DIMENSIONS ARE SUBJECT TO MINOR VARIATIONS DUE TO MANUFACTURING PROCESSES.

**APPROVED FOR PRODUCTION**

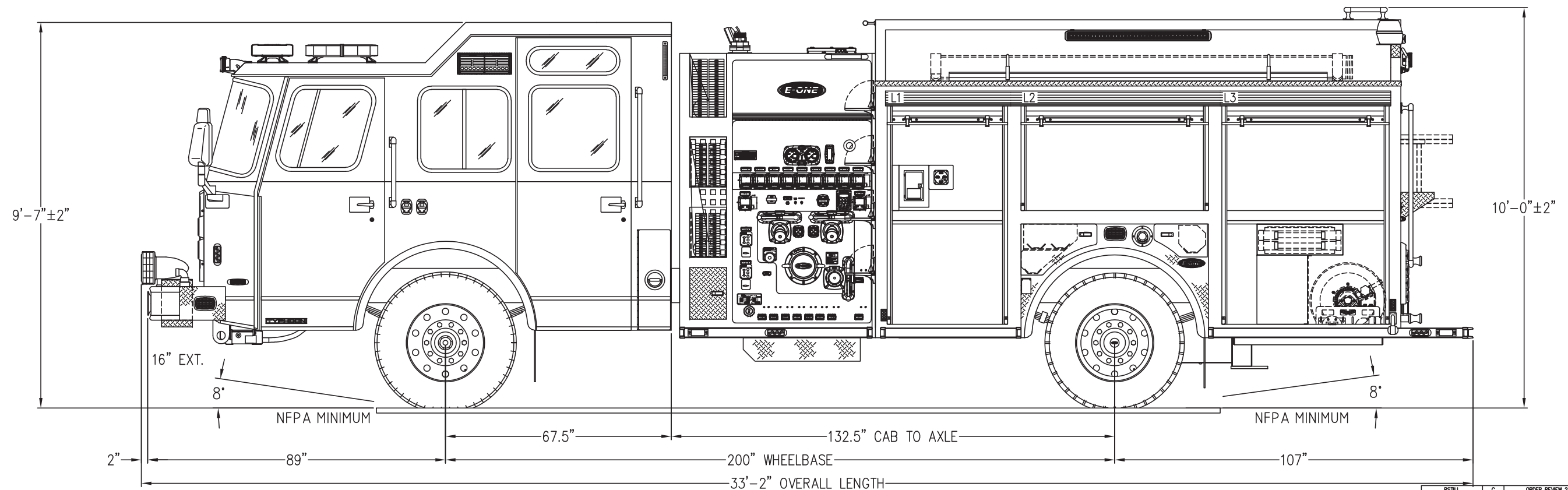
DESIGNER: RAY STILL DATE: 2018-AUG-27



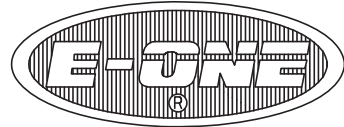
CUSTOMER MODIFIED HOSEBED DIVIDER



HOSEBED HEIGHT:  
(FOR REFERENCE ONLY)  
TO TAILBOARD: 42"  
TO GROUND: 66"



TMERRILL	F	CHANGE ORDER	2019-AUG-08	RSTILL	RSTILL	C	ORDER REVIEW 2 / RFP	2018-JUN-26	RSTILL
RSTILL	E	ORDER REVIEW 4 / REVISED RFP	2018-AUG-27	RSTILL	RSTILL	B	BODY CHANGE	2018-MAY-23	KMARQUES
RSTILL	D	ORDER REVIEW 3 / RFP	2018-JUL-18	RSTILL	RSTILL	A	ORDER REVIEW 1	2018-MAY-21	KMARQUES
						REV	DESCRIPTION	DATE	APPROVED
							PROPOSAL REVISIONS		SHEET 1 OF 2

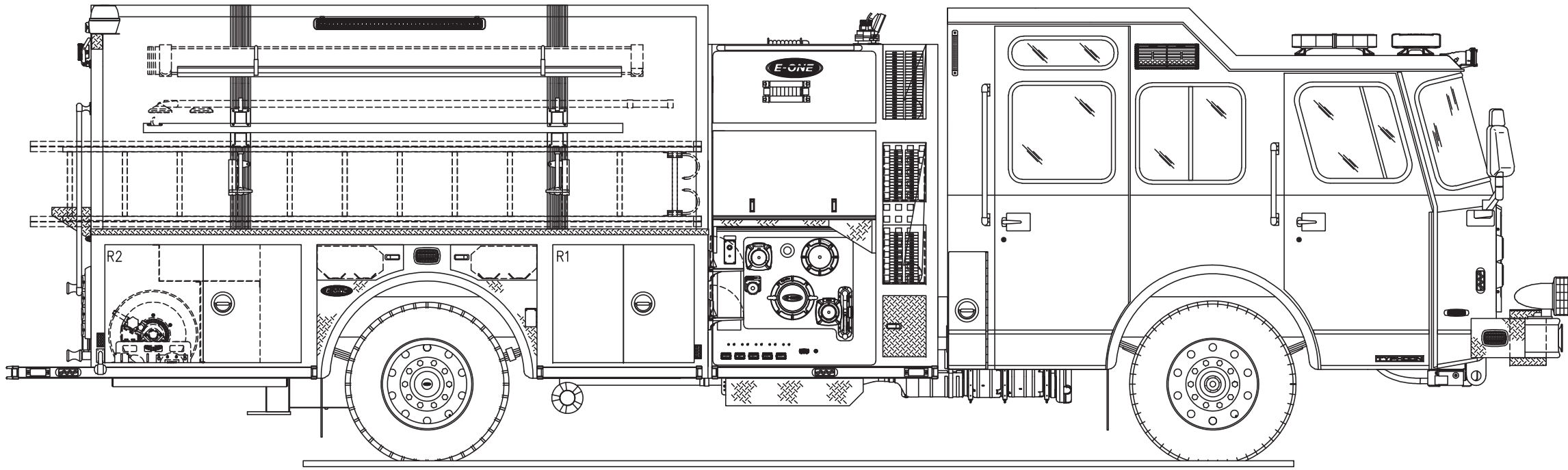
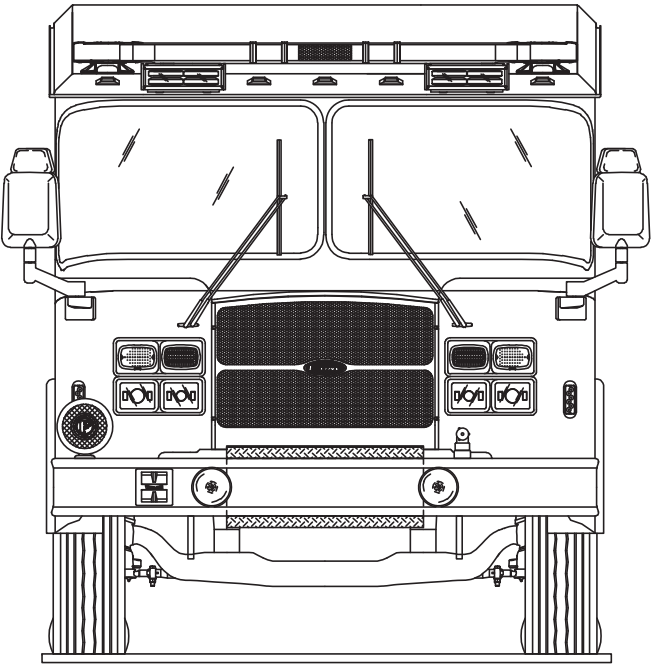


**SOUTHAMPTON FIRE COMPANY NO.1**  
**SOUTHAMPTON, PA.**  
*S.O. 142387 / Q85554*  
**CUSTOM 36 PUMPER**  
**E-ONE TYPHOON X LONG CAB 4X2 CHASSIS**

THIS DRAWING IS FOR REFERENCE PURPOSES. ALL DIMENSIONS ARE  
 SUBJECT TO MINOR VARIATIONS DUE TO MANUFACTURING PROCESSES.

**APPROVED FOR PRODUCTION**

DESIGNER: RAY STILL DATE: 2018-AUG-27



REV	DESCRIPTION	DATE	APPROVED
MERRILL	F	CHANGE ORDER	2019-AUG-08
RSTILL	E	ORDER REVIEW 4 / REVISED RFP	2018-AUG-27
RSTILL	D	ORDER REVIEW 3 / RFP	2018-JUL-18
RSTILL	C	ORDER REVIEW 2 / RFP	2018-JUN-25
KMARQUES	B	BODY CHANGE	2018-MAY-23
KMARQUES	A	ORDER REVIEW 1	2018-MAY-21
DRAWN BY	REV	DESCRIPTION	DATE
		PROPOSAL REVISIONS	APPROVED