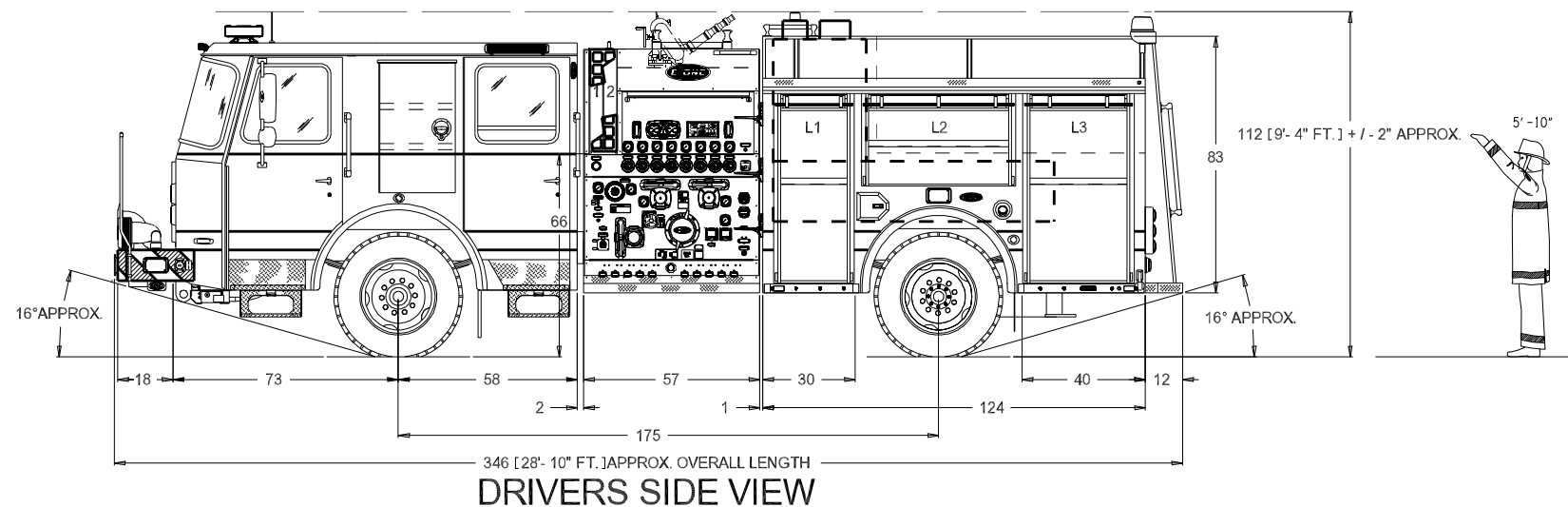


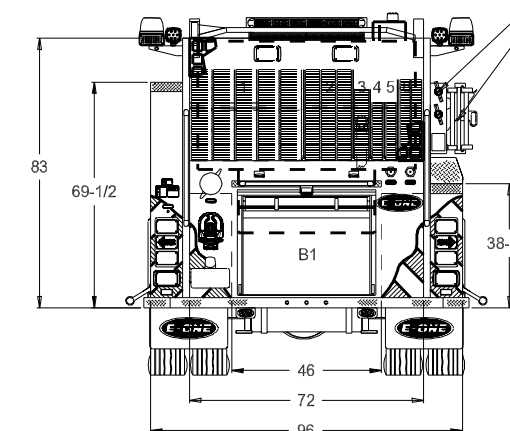
COMPARTMENT DIMENSIONS		
COMPT.	CLEAR DOOR OPENING (W x H):	COMPARTMENT INTERIOR (W x H x LD/UD):
L1	22'-1/2"W x 55"H	26"W x 31'-1/4"H x 25"D L / 26"W x 34'-1/4"H x 12"D U
L2	51'-1/2"W x 23'-3/4"H	54"W x 34'-1/4"H x 12"D
L3	31"W x 55"H	36"W x 31'-1/4"H x 25"D L / 36"W x 34'-1/4"H x 12"D U
R1	22'-1/2"W x 23'-3/4"H	26"W x 34'-1/4"H x 25"D
R2	31"W x 23'-3/4"H	36"W x 34'-1/4"H x 25"D
B1	39"W x 23'-3/4"H	46"W x 35"H x 26"D

CROSSLAY #1 = 200' OF 1-3/4" HOSE CROSSLAY #2 = 200' OF 1-3/4" HOSE



HOSE BED LAYOUT:
 BED 1 = 1100' OF 4" HOSE
 BED 2 = 800' OF 2-1/2" HOSE
 BED 3 = 200' OF 2-1/2" HOSE
 PRECONNECTED
 BED 4 = 150' OF 1-3/4" HOSE
 BED 5 = 150' OF 1-3/4" HOSE
 BED 6 = 400' OF 1-3/4" HOSE

NOTE: EQUIPMENT
NOT INCLUDED
SHOWN FOR CLARITY



THIS DRAWING IS FOR REFERENCE PURPOSES. ALL DIMENSIONS ARE SUBJECT TO MINOR VARIATIONS DUE TO MANUFACTURING PROCESSES.

This print is the property of E-ONE Inc. and is loaned to you subject to return on demand, unless otherwise agreed to in writing by E-ONE Inc. Its contents are confidential and must not be copied or submitted to third parties for use or examination.

APPROVED FOR PRODUCTION

DESIGNER: R. RZESZUT / R. HAERTEL DATE: 12/09/2019

REV.	REVISION NOTE / CO#:	DATE:	DRAWN BY:
-	INITIAL DRAWING TO MATCH QUOTE REV. 60	072418	R.H.
A	REVISED DRAWING TO MATCH QUOTE REV. 89	092418	R.H.
B	REVISED DRAWING TO MATCH QUOTE REV. 107	052319	R.S.
C	TURNUED INTO JOB ORDER (REF Q92591) & ORDER SCRUB Q REV 116	091819	R.R.
D	REVISED PER PRE-BUILD CR'S / UPDATE STATUS TO RFP Q REV 148	120919	R.R.
E	UPDATES PER ACTION ITEMS Q REV 153	010320	R.R.
F	UPDATES PER DESIGN REVIEW	071420	R.H.

Tolerance: Lin: ±.50" Ang: ±50 °	Units: Inches [mm Imports Only]
Dealer: FIRST CHOICE FIRE APPARATUS	Water Tank Capacity: 500 WATER / 30 FOAM
GENERATOR:	Misc:
Misc:	Misc:


READING FIRE DEPARTMENT
 SO NO. 143568-569 (PSTS-TYPH)
 PUMPER 530 GALLON "L" TANK
 TYPHOON MED. FLAT ROOF
 FILE NAME: 143568-569 READING FIRE DEPARTMENT