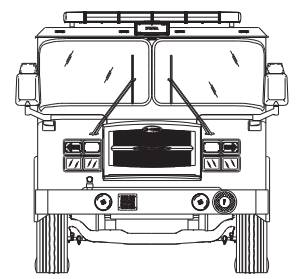
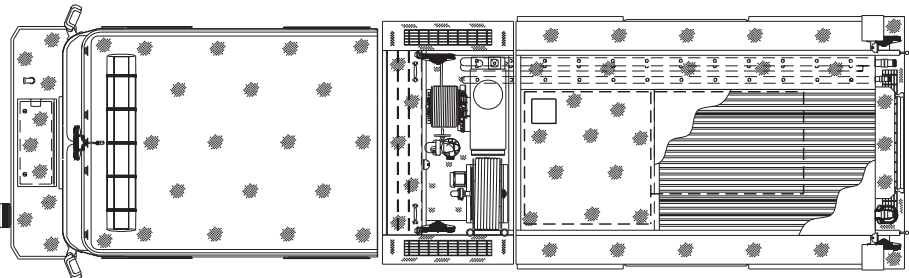


OFFICER SIDE VIEW



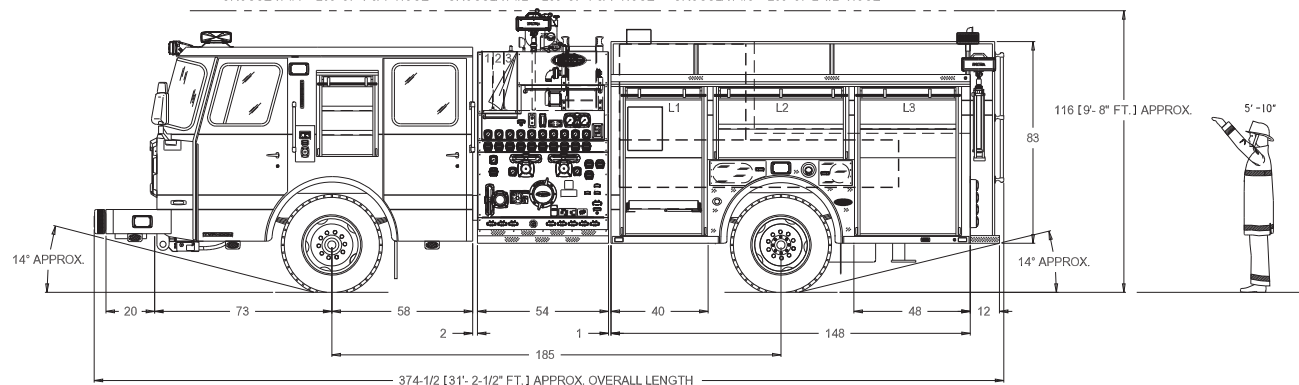
FRONT VIEW



TOP VIEW

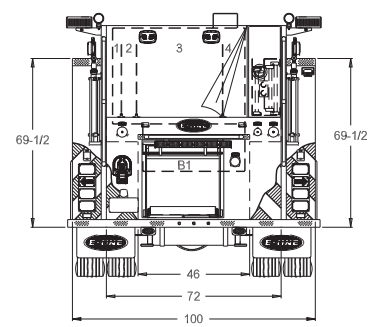
COMPARTMENT DIMENSIONS		
COMPT.	CLEAR DOOR OPENING (W x H):	COMPARTMENT INTERIOR (W x H x LD/UD):
L1	31-1/2"W x 55"H	36"W x 31-1/4"H x 27"D L / 36"W x 34-1/4"H x 14"D U
L2	51-1/2"W x 23-3/4"H	60"W x 34-1/4"H x 14"D
L3	31-1/2"W x 55"H	44"W x 31-1/4"H x 27"D L / 44"W x 34-1/4"H x 14"D U
R1	31-1/2"W x 55"H	36"W x 31-1/4"H x 27"D L / 36"W x 34-1/4"H x 14"D U
R2	51-1/2"W x 23-3/4"H	60"W x 34-1/4"H x 14"D
R3	31-1/2"W x 55"H	44"W x 31-1/4"H x 27"D L / 44"W x 34-1/4"H x 14"D U
B1	30"W x 23-3/4"H	37"W x 35"H x 26"D

CROSSLAY #1 = 200' OF 1-3/4" HOSE    CROSSLAY #2 = 200' OF 1-3/4" HOSE    CROSSLAY #3 = 200' OF 2-1/2" HOSE



DRIVERS SIDE VIEW

HOSE BED LAYOUT:  
 BED 1 = 300' OF 2-1/2" HOSE  
 BED 2 = 300' OF 2-1/2" HOSE  
 BED 3 = 1000' OF 5" HOSE  
 BED 4 = 500' OF 1-3/4" HOSE



REAR VIEW

THIS DRAWING IS FOR REFERENCE PURPOSES. ALL DIMENSIONS ARE SUBJECT TO MINOR VARIATIONS DUE TO MANUFACTURING PROCESSES.

This print is the property of E-ONE Inc. and is loaned to you subject to return on demand, unless otherwise agreed to in writing by E-ONE Inc. Its contents are confidential and must not be copied or submitted to third parties for use or examination.

APPROVED FOR PRODUCTION

DESIGNER: R. RZESZUT / R. SPEARS    DATE: 05/27/2016

REV.	REVISION NOTE / CO#:	DATE:	DRAWN BY:	Tolerance: Lin: $\pm 0.50"$ Ang: $\pm 50^\circ$
-	INITIAL DRAWING TO MATCH QUOTE REV. 22	092315	R.S.	Units: Inches [mm Imports Only]
A	REVISED TO MATCH QUOTE REV. 34	110315	R.S.	Water Tank Capacity: 780 GALLON L-TANK
B	REVISED TO MATCH QUOTE REV. 66	121416	R.S.	Misc:
C	TURNED INTO JOB ORDER (REF Q74681)	050916	R.R.	Misc:
D	EDITS PER ORDER SCRUB	051116	R.R.	Misc:
E	CHANGED TO RFP STATUS	052716	R.R.	Misc:



PLAINS TOWNSHIP FIRE DEPT.  
 SO NO. 140622 (PSLS-TYPH)  
 PUMPER 780 GALLON L-TANK  
 TYPHOON MED. FLAT ROOF  
 FILE NAME: 140622 PLAINS TOWNSHIP FIRE DEPT.