

OGDEN FIRE COMPANY 1

BOOTHWYN, PA.

QUOTE 95081

CUSTOM 24 PUMPER

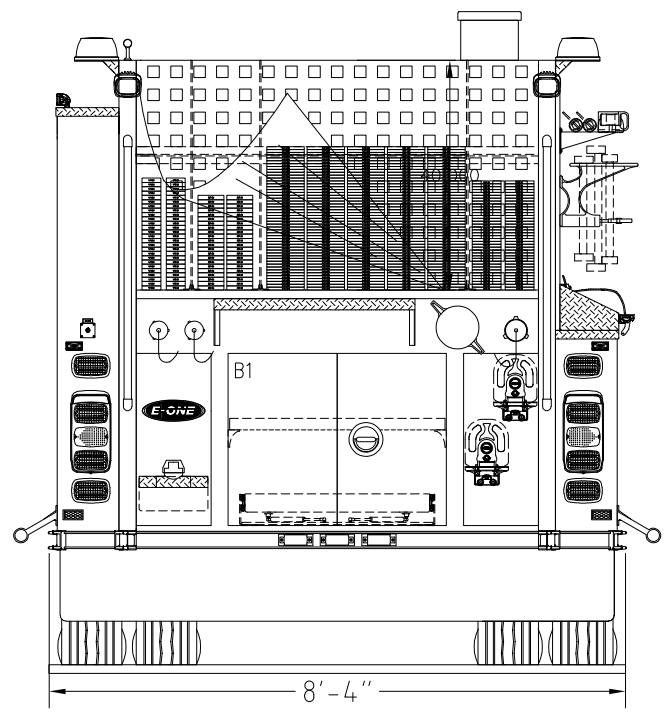
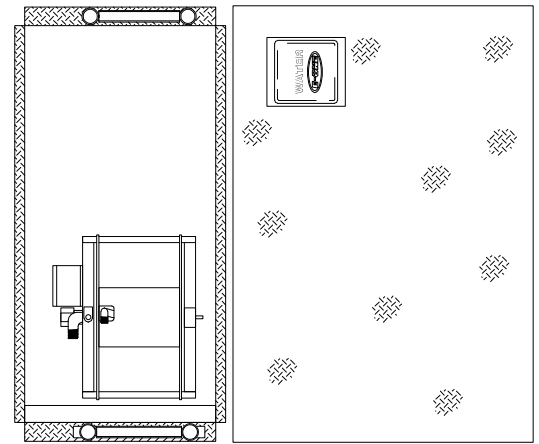
E-ONE TYPHOON 4X2 CHASSIS

1500 GPM HALE QMAX PUMP 780 GALLON WATER TANK	HOSE LOAD:	
	400' OF 1.75" DJ	
	300' OF 2.50" DJ	
	1200' OF 4.00" LDH	
	300' OF 3.00" DJ	

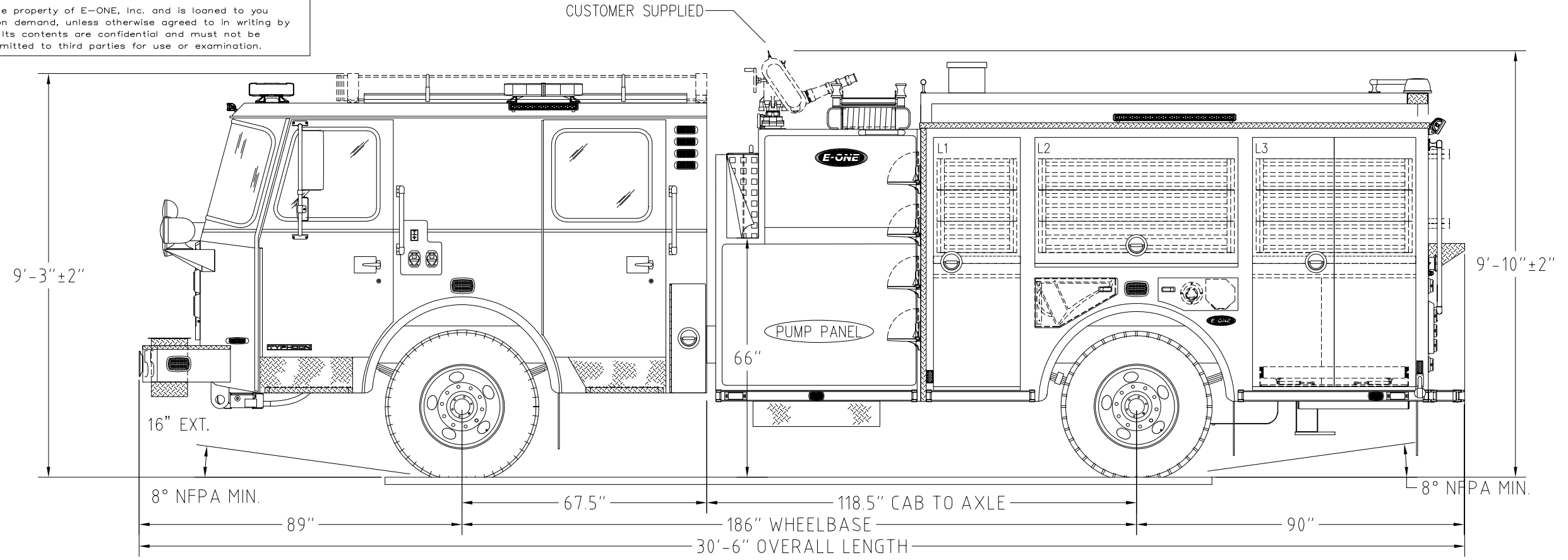
COMPT.	OPENING		INTERIOR DIMENSION				
	24W	68H	24W	34H	12D	UPPER	LOWER
L1	24W	68H	24W	34H	12D	UPPER	LOWER
L2	56W	34H	56W	34H	12D		
L3	45W	68H	45W	34H	12D	UPPER	LOWER
R1	24W	30H	24W	30H	26D		
R2	45W	30H	45W	30H	26D		
B1	38W	30H	38W	30H	27D		

THIS DRAWING IS FOR REFERENCE PURPOSES. ALL DIMENSIONS ARE SUBJECT TO MINOR VARIATIONS DUE TO MANUFACTURING PROCESSES.

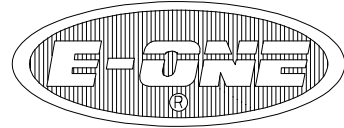
This print is the property of E-ONE, Inc. and is loaned to you subject to return on demand, unless otherwise agreed to in writing by E-ONE, Inc. Its contents are confidential and must not be copied or submitted to third parties for use or examination.



HOSEBED HEIGHT:
(FOR REFERENCE ONLY)
TO TAILBOARD: 42"
TO GROUND: 66"



APARK	C	RFC	2019-MAR-18	APARK
RSTILL	B	RFC	2019-FEB-08	RSTILL
RSTILL	A	INITIAL RELEASE	2019-JAN-10	RSTILL
DRAWN BY	REV	DESCRIPTION	DATE	APPROVED
		PROPOSAL REVISIONS		SHEET 1 OF 3



OGDEN FIRE COMPANY 1

BOOTHWYN, PA.

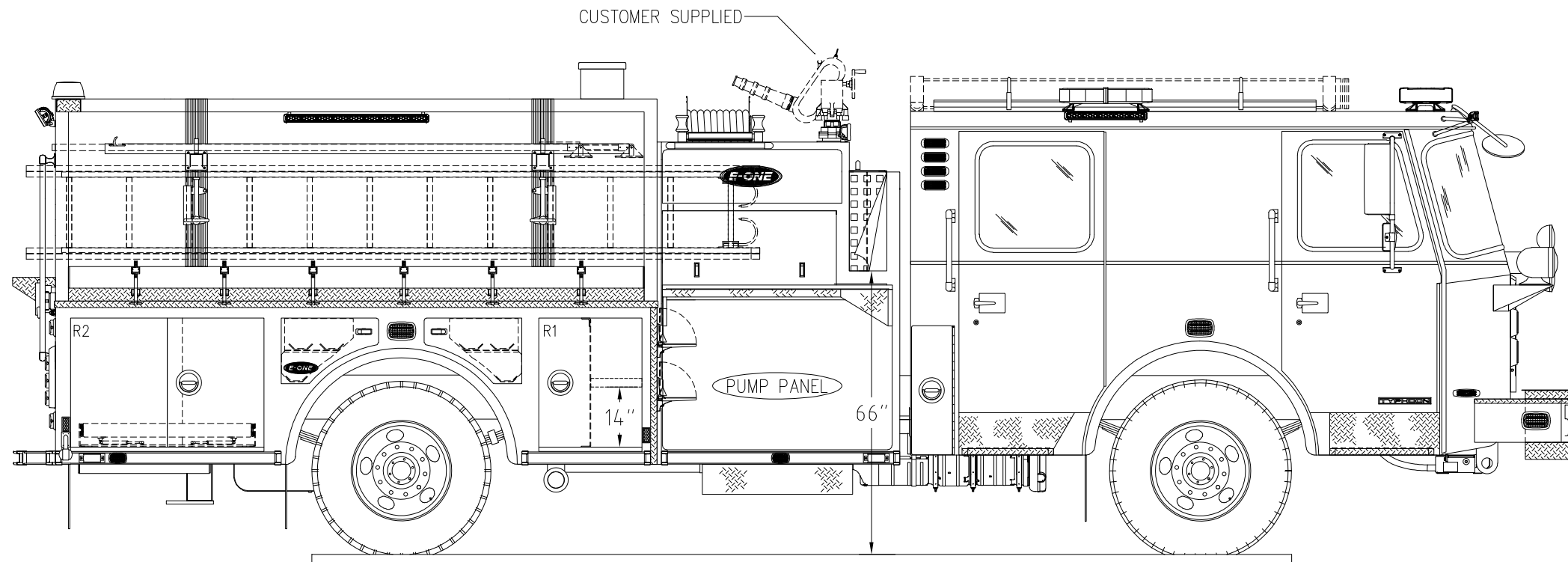
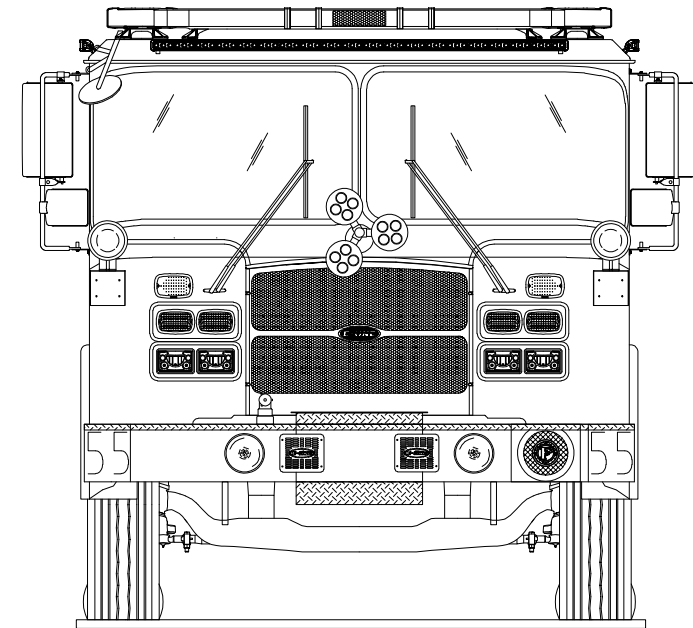
QUOTE 95081

CUSTOM 24 PUMPER

E-ONE TYPHOON 4X2 CHASSIS

THIS DRAWING IS FOR REFERENCE PURPOSES. ALL DIMENSIONS ARE SUBJECT TO MINOR VARIATIONS DUE TO MANUFACTURING PROCESSES.

This print is the property of E-ONE, Inc. and is loaned to you subject to return on demand, unless otherwise agreed to in writing by E-ONE, Inc. Its contents are confidential and must not be copied or submitted to third parties for use or examination.



APARK	C	RFC	2019-MAR-18	APARK
RSTILL	B	RFC	2019-FEB-08	RSTILL
RSTILL	A	INITIAL RELEASE	2019-JAN-10	RSTILL
DRAWN BY	REV	DESCRIPTION	DATE	APPROVED
		APPROVAL REVISIONS		SHEET 2 OF 3