

**NORTHAMPTON TOWNSHIP**  
**RICHBORO, PA**  
*SO.141002/Q76820*  
**AERIAL BODY**  
**CYCLONE II X CHASSIS**  
**HP78 AERIAL LADDER**

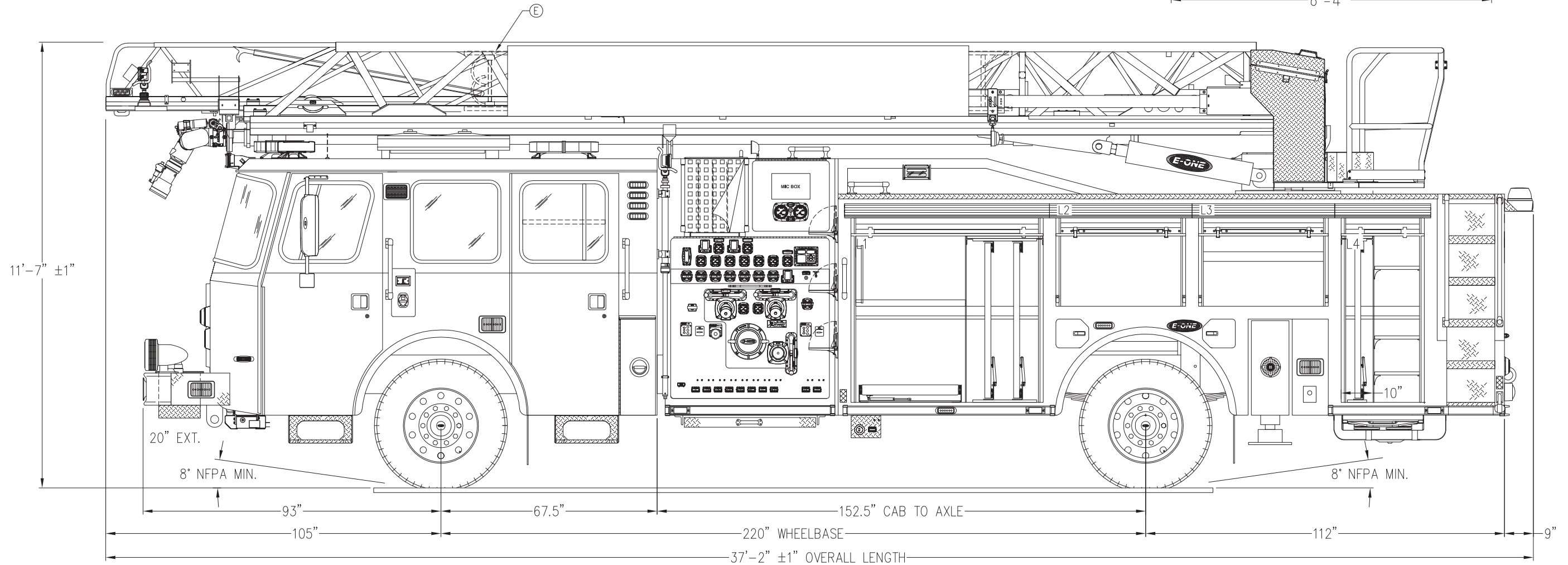
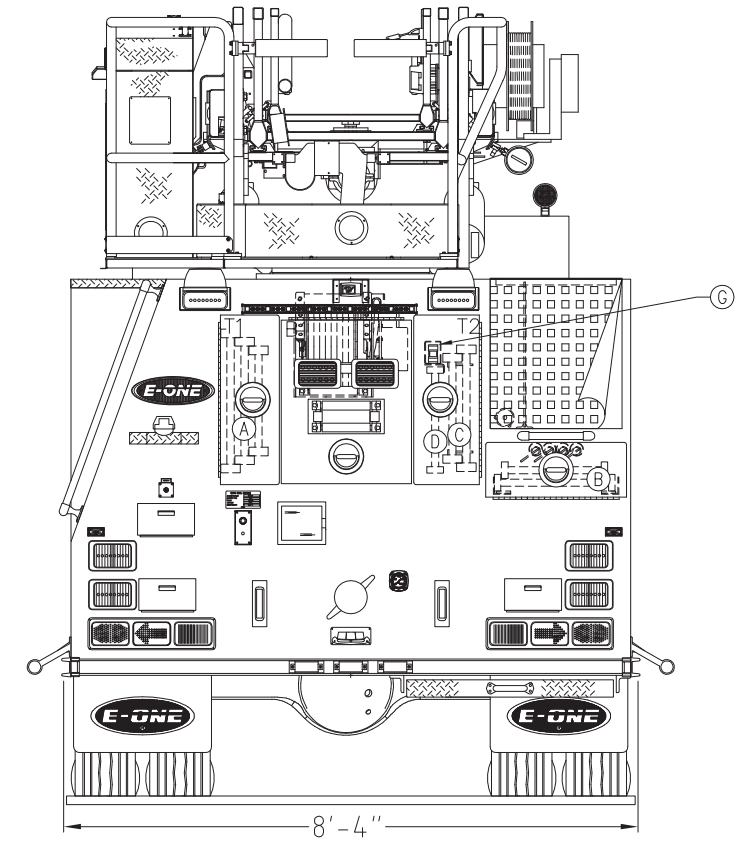
THIS DRAWING IS FOR REFERENCE PURPOSES. ALL DIMENSIONS ARE SUBJECT TO MINOR VARIATIONS DUE TO MANUFACTURING PROCESSES.

**APPROVED FOR PRODUCTION**  
 DESIGNER:            D. BRAY            DATE: 2017-JAN-16

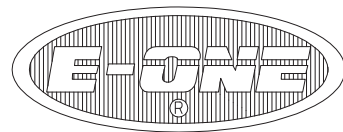
2000 GPM HALE QMAX PUMP 500 GALLON WATER TANK	HOSE LOAD:	
	300' OF 3.00" DJ	
	1200' OF 5.00" LDH	

COMPT.	OPENING		INTERIOR DIMENSION			
L1	58W	52H	60W	35H	24D	UPPER
L2	38W	22H	60W	26H	26D	LOWER
L3	38W	22H	40W	21H	21D	UPPER
L4	24W	52H	40W	14H	24D	LOWER
R1	26W	35H	26W	35H	24D	UPPER
R2	26W	26H	26W	26H	26D	LOWER
B1	60W	26H	60W	26H	26D	
R2	47W	26H	45W	26H	26D	
B1	21W	28H	TURNTALE ACCESS ONLY			
T1	10W	28H	VERTICAL LADDER STORAGE			
T2	11W	28H	VERTICAL LADDER STORAGE			
T3	23W	9H	HORIZONTAL LADDER STORAGE			

GROUND LADDERS				
ITEM	LADDER LENGTH	MODEL NUMBER	QTY	
A	35' 3-SECT.	PEL3-35	1	
B	28' 2-SECT.	PEL-28	1	
C	24' 2-SECT.	PEL-24	1	
D	16' ROOF	PRL-16	1	
E	14' ROOF	PRL-14	1	ON AERIAL
F	12' ROOF	PRL-12	1	ON AERIAL
G	10' FOLDING	FL-10	1	



D.B.	B	RFP	2017-JAN-16	D.B.
D.B.	A	INITIAL RELEASE	2016-NOV-16	D.B.
DRAWN BY	REV	DESCRIPTION	DATE	APPROVED
		PROPOSAL REVISIONS		SHEET 1 OF 2



# NORTHAMPTON TOWNSHIP

RICHBORO, PA

SO.141002/Q76820

AERIAL BODY

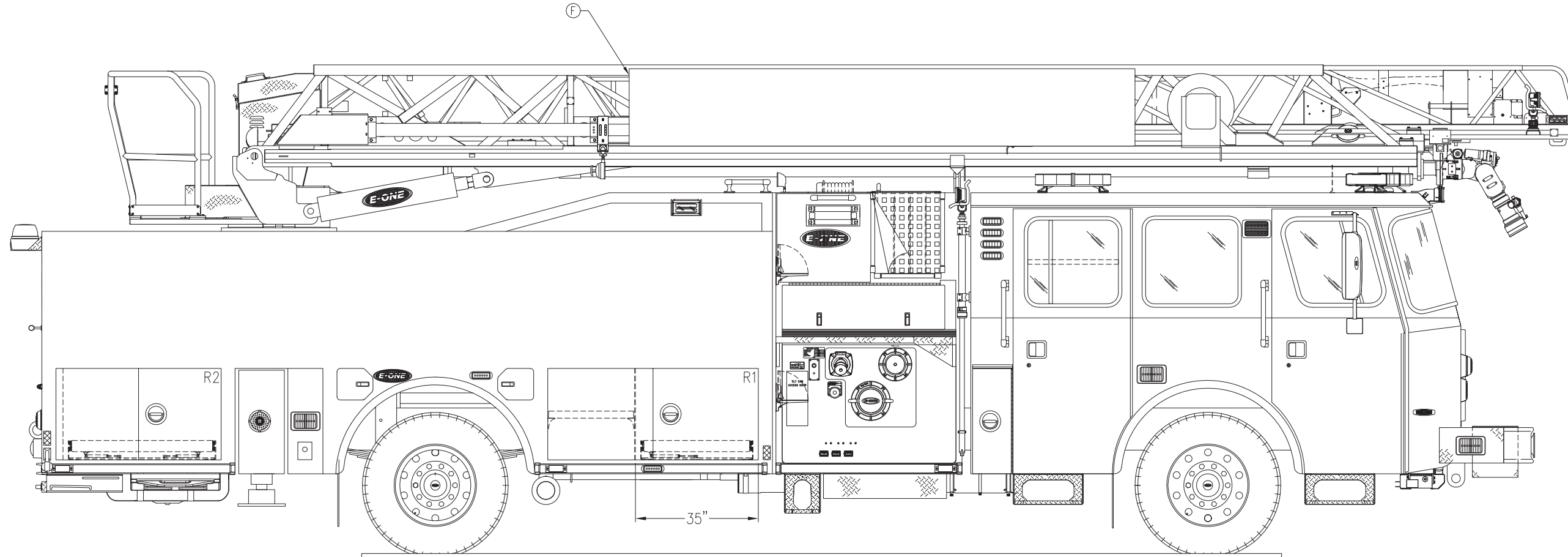
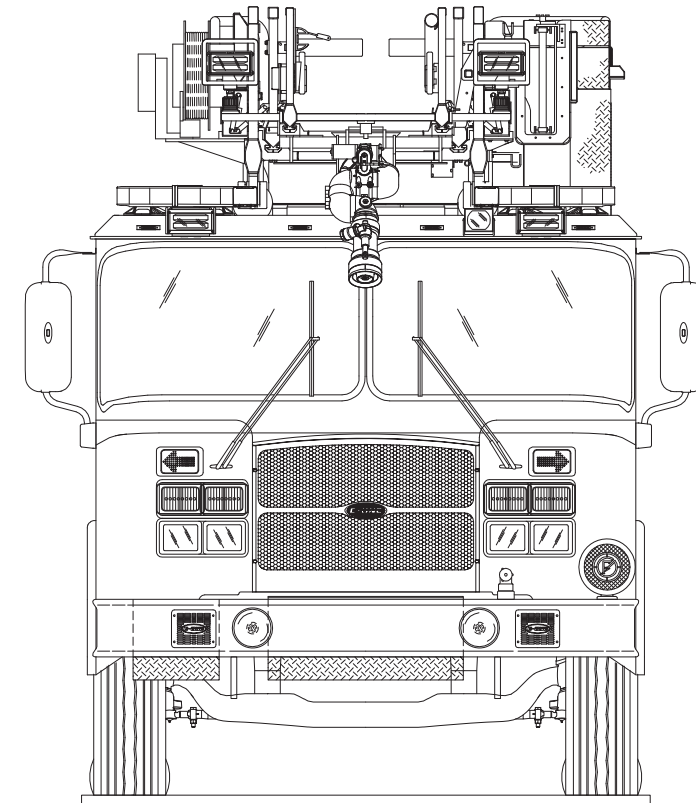
CYCLONE II X CHASSIS

HP78 AERIAL LADDER

THIS DRAWING IS FOR REFERENCE PURPOSES. ALL DIMENSIONS ARE  
SUBJECT TO MINOR VARIATIONS DUE TO MANUFACTURING PROCESSES.

APPROVED FOR PRODUCTION

DESIGNER: D. BRAY DATE: 2017-JAN-16



DRAWN BY	REV	DESCRIPTION	DATE	APPROVED
D.B.	B	RFP	2017-JAN-16	D.B.
D.B.	A	INITIAL RELEASE	2016-NOV-16	D.B.
PROPOSAL REVISIONS				SHEET 2 OF 2