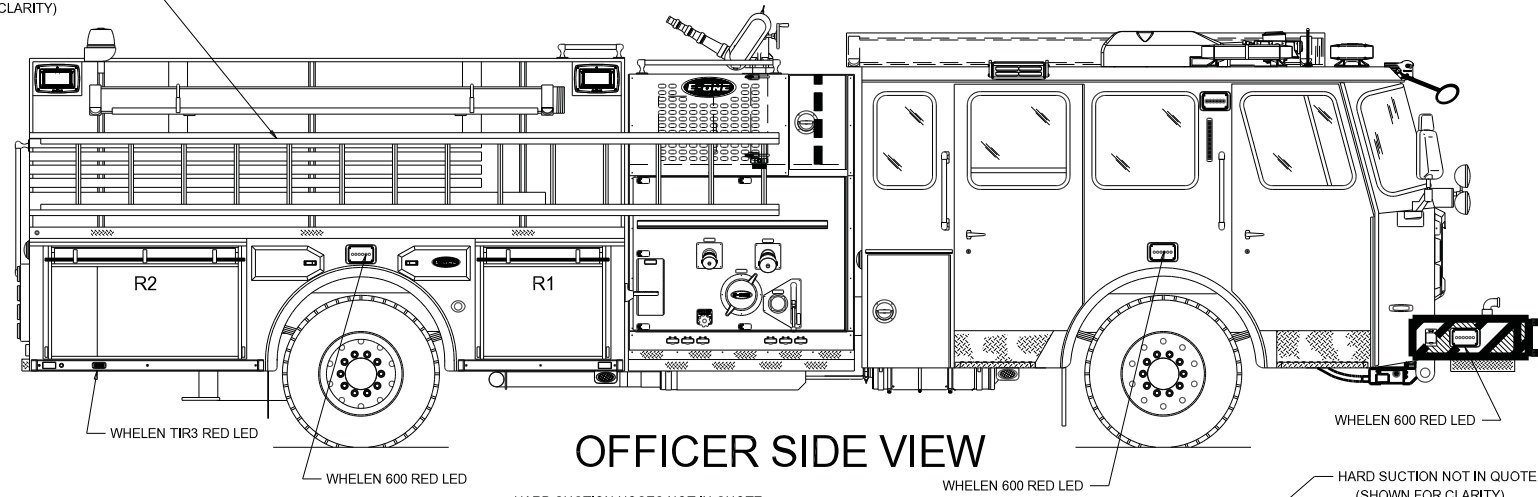
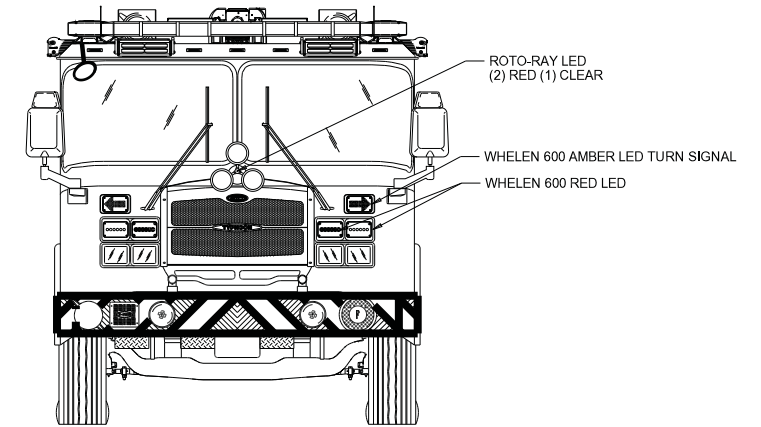


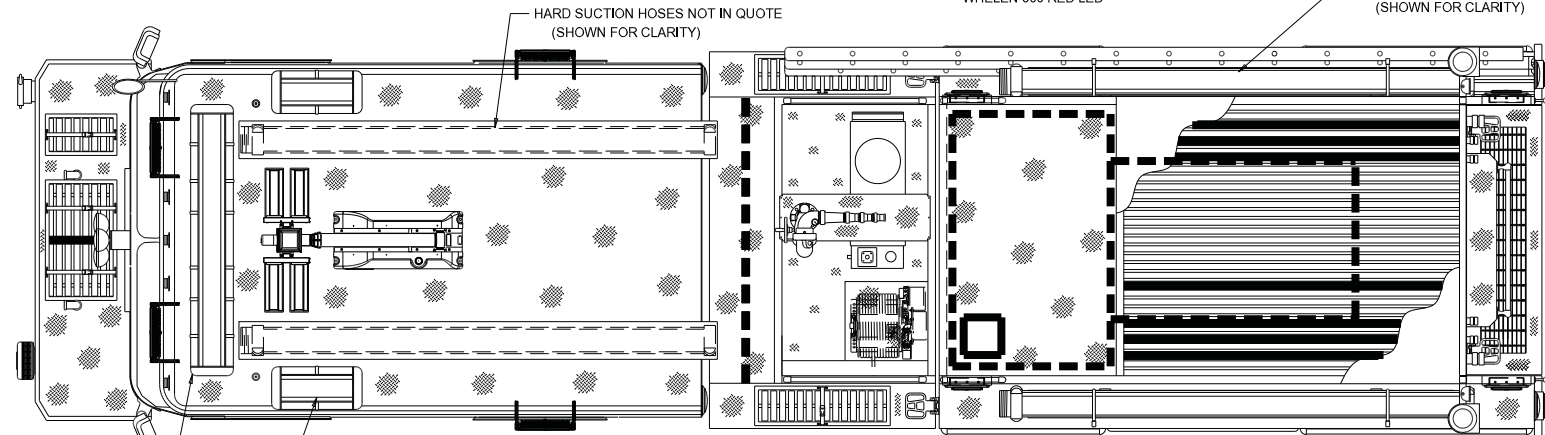
LADDERS/PIKE POLES NOT IN QUOTE (SHOWN FOR CLARITY)



OFFICER SIDE VIEW



FRONT VIEW



TOP VIEW

COMPARTMENT DIMENSIONS		
COMPT.	CLEAR DOOR OPENING (W x H):	COMPARTMENT INTERIOR (W x H x LD/UD):
L1	31-1/2"W x 55"H	36"W x 31-1/4"H x 27"D L / 36"W x 34-1/4"H x 14"D U
L2	51-1/2"W x 23-3/4"H	60"W x 34-1/4"H x 14"D
L3	49-1/2"W x 55"H	40"W x 31-1/4"H x 27"D LOWER FORWARD 14"W x 31-1/4"H x 27"D LOWER REARWARD 54"W x 34-1/4"H x 24"D UPPER
R1	31-1/2"W x 23-3/4"H	36"W x 34-1/4"H x 27"D
R2	49-1/2"W x 23-3/4"H	40"W x 34-1/4"H x 27"D LOWER FORWARD 14"W x 34-1/4"H x 27"D LOWER REARWARD
B1	39"W x 23-3/4"H	46"W x 35"H x 26"D

18" WHITE REFLEXITE NUMBERS SEWN ON TO HOSE BED COVER ENDFLAP

812

HOSE BED LAYOUT:

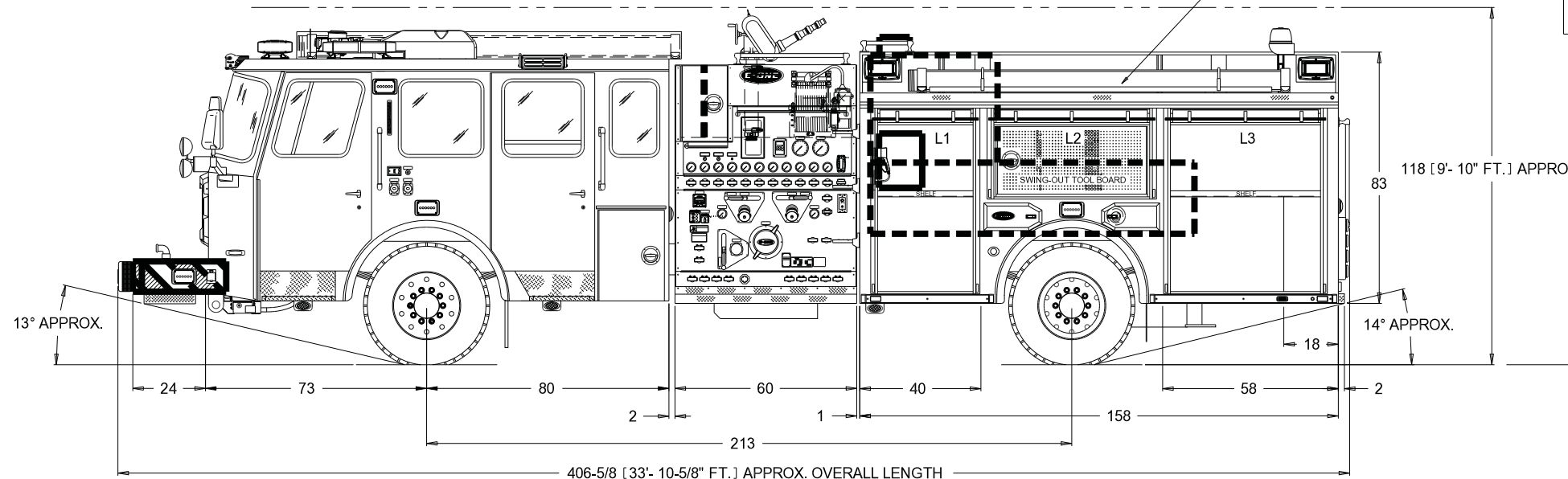
- BED 1 = 200' OF 2-1/2" HOSE
- BED 2 = 300' OF 1-3/4" HOSE
- BED 3 = 200' OF 1-3/4" HOSE
- BED 4 = 500' OF 2-1/2" HOSE
- BED 5 = 1200' OF 4" HOSE
- BED 6 = 200' OF 1-3/4" HOSE
- BED 7 = 300' OF 1-3/4" HOSE
- BED 8 = 200' OF 2-1/2" HOSE

WHELEN 72" FREEDOM CLEAR LENS, RED/CLEAR LED

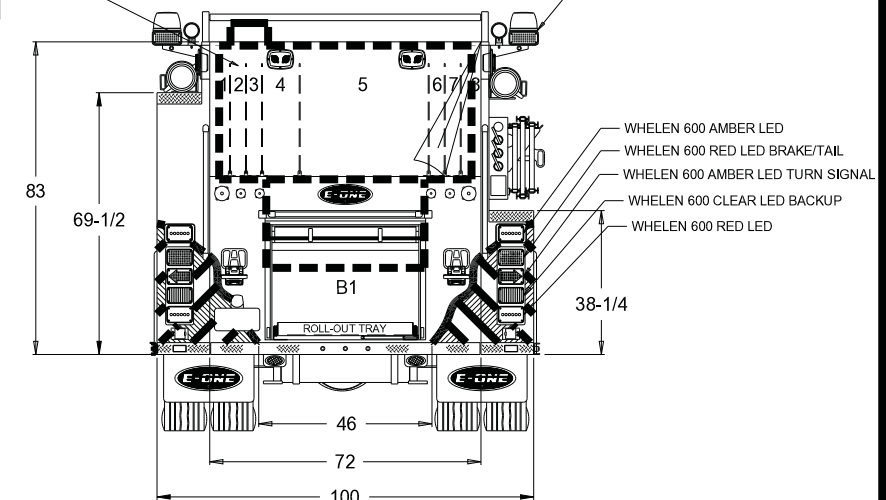
WHELEN 24" MINI FREEDOM CLEAR LENS RED LED

HARD SUCTION NOT IN QUOTE (SHOWN FOR CLARITY)

WHELEN B6LED CLEAR DOME RED LED 700 RED LED CLEAR LENS LOWER



DRIVERS SIDE VIEW



REAR VIEW

THIS DRAWING IS FOR REFERENCE PURPOSES. ALL DIMENSIONS ARE SUBJECT TO MINOR VARIATIONS DUE TO MANUFACTURING PROCESSES.

This print is the property of E-ONE Inc. and is loaned to you subject to return on demand, unless otherwise agreed to in writing by E-ONE Inc. Its contents are confidential and must not be copied or submitted to third parties for use or examination.

APPROVED FOR PRODUCTION

DESIGNER: R. RZESZUT / R. SPEARS DATE: 02/07/2014

REV.	REVISION NOTE / CO#:	DATE:	DRAWN BY:
-	INITIAL DRAWING	080713	R.S.
A	REVISED PER CUSTOMER REQUEST	102513	R.S.
B	TURNED INTO JOB ORDER (REF. QUOTE Q60651)	010814	R.R.
C	APPROVED FOR PRODUCTION	020714	R.S.

Tolerance: Lin: ±.50" Ang: ±50 °
 Dealer: FIRST CHOICE
 GENERATOR: HARRISON 8KW MCR
 Misc:

Units: Inches [mm Imports Only]
 Water Tank Capacity: 780 GALLON WATER
 Misc:
 Misc:



NATIONAL PARK FIRE DEPARTMENT
 SO NO. 138756 (PSLS-CYC2)
 PUMPER 780 GALLON L-TANK
 TYPHOON EXTENDED LONG FLAT ROOF
 FILE NAME: 138756 NATIONAL PARK FIRE DEPARTMENT