

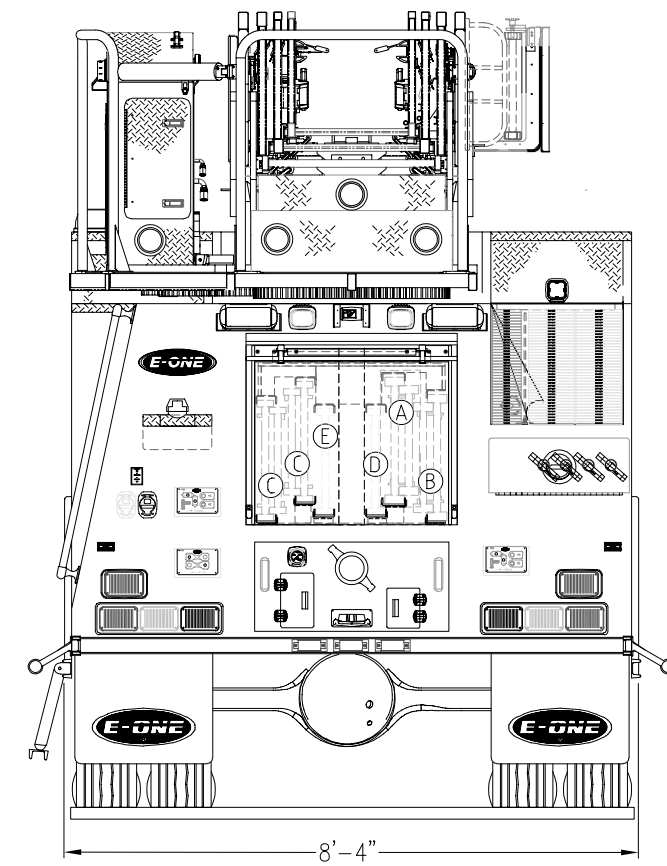
MT. PLEASANT FIRE COMPANY
BERNVILLE, PA
SO.143193/Q 93038
AERIAL BODY
E-ONE CAB CYCLONE 6X4 CHASSIS
HR100 AERIAL LADDER

1750 GPM HALE QMAX PUMP 500 GALLON WATER TANK	HOSE LOAD:
	300' OF 3" DJ
	500' OF 5" LDH

COMPT.	OPENING		INTERIOR DIMENSION			
L1/R1	29W	50H	29W	30H	17D	UPPER
			29W	29H	14D	LOWER
L2/R2	26W	60H	26W	38H	17D	UPPER
			26W	31H	26D	LOWER
L3/R3	50W	23H	50W	23H	NOTED	
L4	63W	23H	63W	23H	NOTED	
R4	50W	23H	50W	23H	8D	
R5	31W	19H	31W	19H	14D	
L5	29W	37H	29W	17H	23D	UPPER
			29W	29H	14D	LOWER
R6	46W	26H	46W	26H	23D	
L6	23W	44H	23W	53H	23D	

GROUND LADDERS			
ITEM	LADDER LENGTH	MODEL NUMBER	QTY
A	35' 2-SECT.	PEL-35	1
B	28' 2-SECT.	PEL-28	1
C	24' 2-SECT.	PEL-24	2
D	16' ROOF	PRL-16	1
E	14' ROOF	PRL-14	2
F	LITTLE GIANT	MODEL 17	1

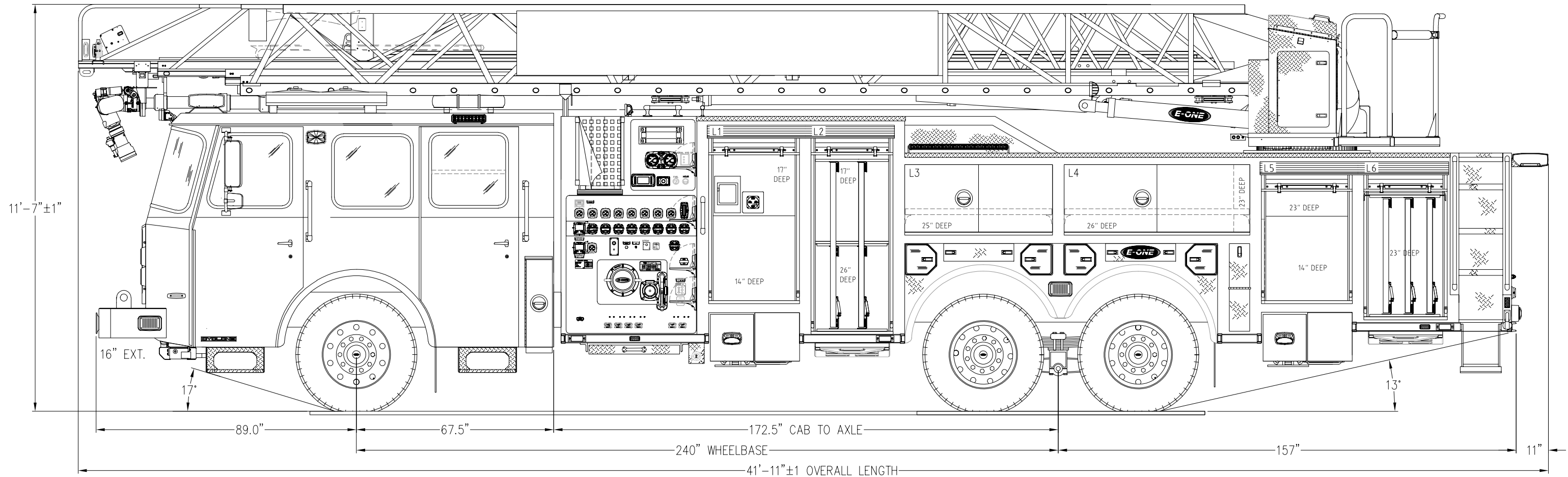
ONE ON AERIAL

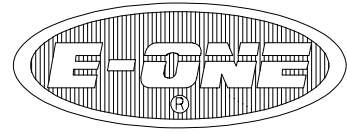


THIS DRAWING IS FOR REFERENCE PURPOSES. ALL DIMENSIONS ARE SUBJECT TO MINOR VARIATIONS DUE TO MANUFACTURING PROCESSES.

APPROVED FOR PRODUCTION

DESIGNER: STRAWDER DATE: 2019-06-14



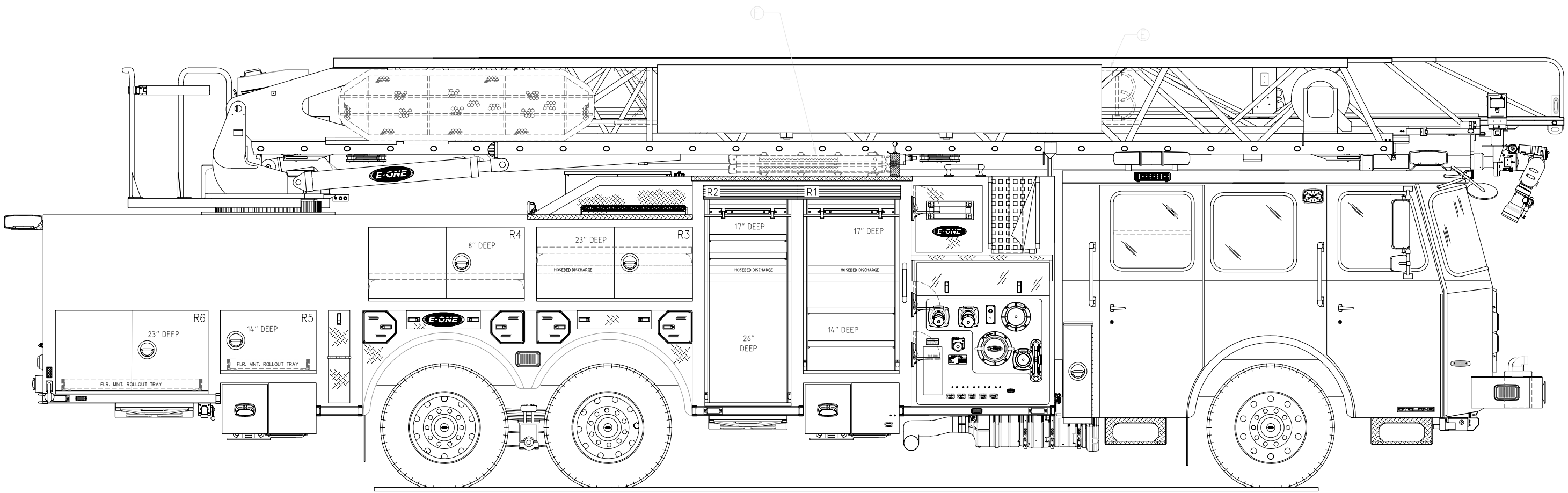
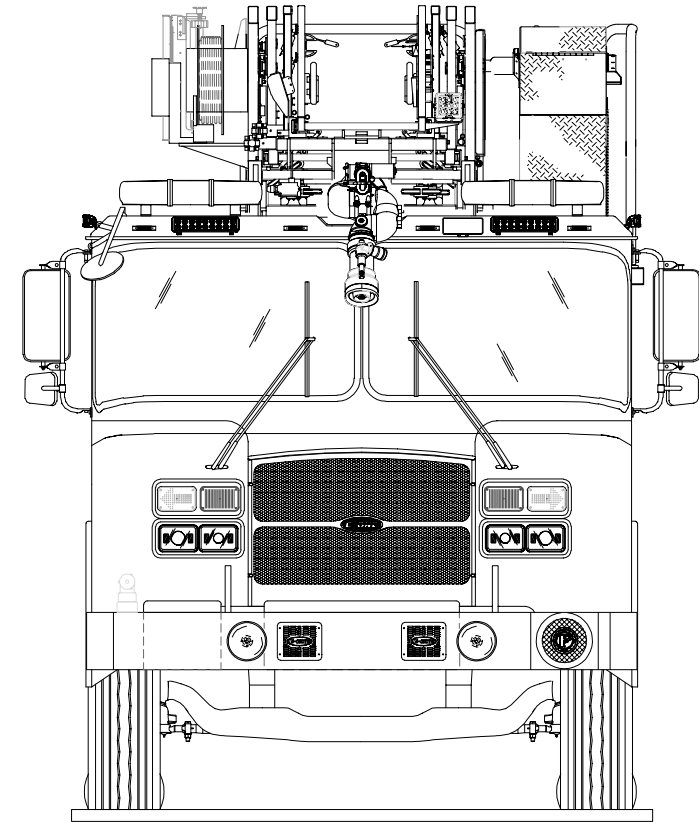


MT. PLEASANT FIRE COMPANY
BERNVILLE, PA
SO.143193/Q 93038
AERIAL BODY
E-ONE CAB CYCLONE 6X4 CHASSIS
HR100 AERIAL LADDER

THIS DRAWING IS FOR REFERENCE PURPOSES. ALL DIMENSIONS ARE
 SUBJECT TO MINOR VARIATIONS DUE TO MANUFACTURING PROCESSES.

APPROVED FOR PRODUCTION

DESIGNER: STRAWDER DATE: 2019-06-14



STRANDER	A	RFP	2019-JUN-14	STRANDER
DRAWN BY	REV	DESCRIPTION	DATE	APPROVED
		PROPOSAL REVISIONS		SHEET 2 OF