

BUENA BOROUGH FIRE DIST

MINOTOLA, NJ

SO.141084 / Q69292

AERIAL BODY

CYCLONE II X CHASSIS

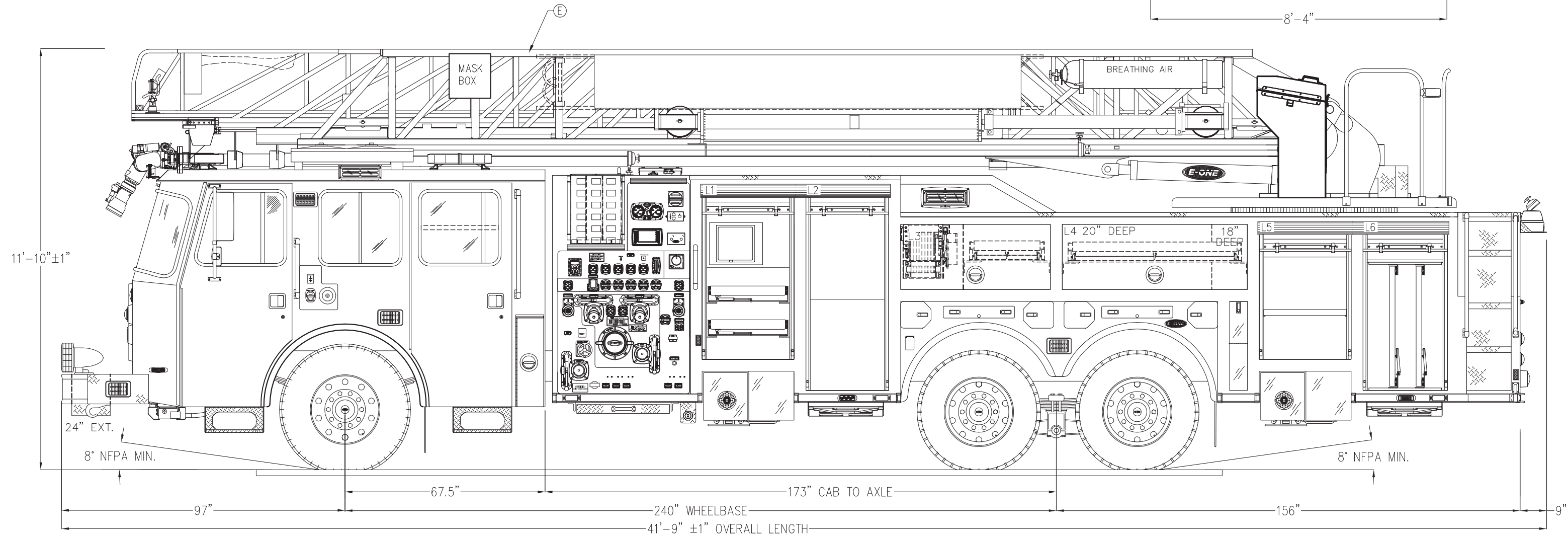
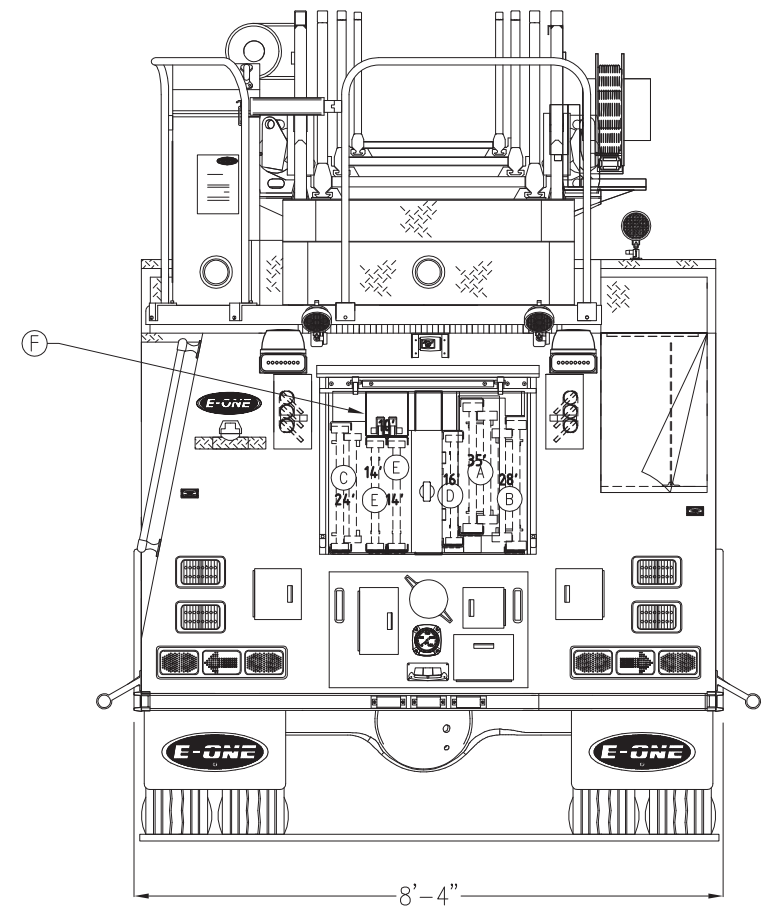
HP100 AERIAL LADDER

THIS DRAWING IS FOR REFERENCE PURPOSES. ALL DIMENSIONS ARE SUBJECT TO MINOR VARIATIONS DUE TO MANUFACTURING PROCESSES.

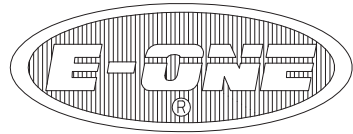
APPROVED FOR PRODUCTION

DESIGNER: DANIEL BRAY DATE: 2017-JAN-18

2000 G.P.M. HALE QMAX PUMP		HOSE LOAD:			
470 GALLON WATER TANK		800' OF 5.00" LDH			
30 GALLON INTEGRAL "B" FOAM CELL		300' OF 3.00" LDH			
COMPT.	OPENING	INTERIOR DIMENSION			
L1/R1	29W 46H	31W	15H	17D	UPPER
		31W	31H	14D	LOWER
L2/R2	26W 56H	28W	25H	17D	UPPER
		28W	30H	26D	LOWER
L3	50W 19H	50W	19H	25D	
L4	62W 19H	62W	19H	NOTED	
L5	29W 33H	31W	5H	18D	UPPER
		31W	28H	14D	LOWER
L6	26W 44H	28W	5H	18D	UPPER
		28W	39H	23D	LOWER
R3	31W 19H	31W	19H	14D	
R4	49W 30H	49W	30H	23D	
GROUND LADDERS					
ITEM	LADDER LENGTH	MODEL NUMBER	QTY		
A	35' 2-SECT.	PEL-35	1		
B	28' 2-SECT.	PEL-28	1		
C	24' 2-SECT.	PEL-24	1		
D	16' ROOF	PRL-16	1		
E	14' ROOF	PRL-14	3	ONE ON AERIAL	
F	10' FOLDING	FL-10	1		



GACRET	C	RF	2017-JAN-18	AKELKAR
DJB	B	RF	2016-NOV-22	DJB
DJB	A	INITIAL RELEASE	2016-NOV-08	DJB
DRAWN BY	REV	DESCRIPTION	DATE	APPROVED
		APPROVAL REVISIONS		



BUENA BOROUGH FIRE DIST MINOTOLA, NJ

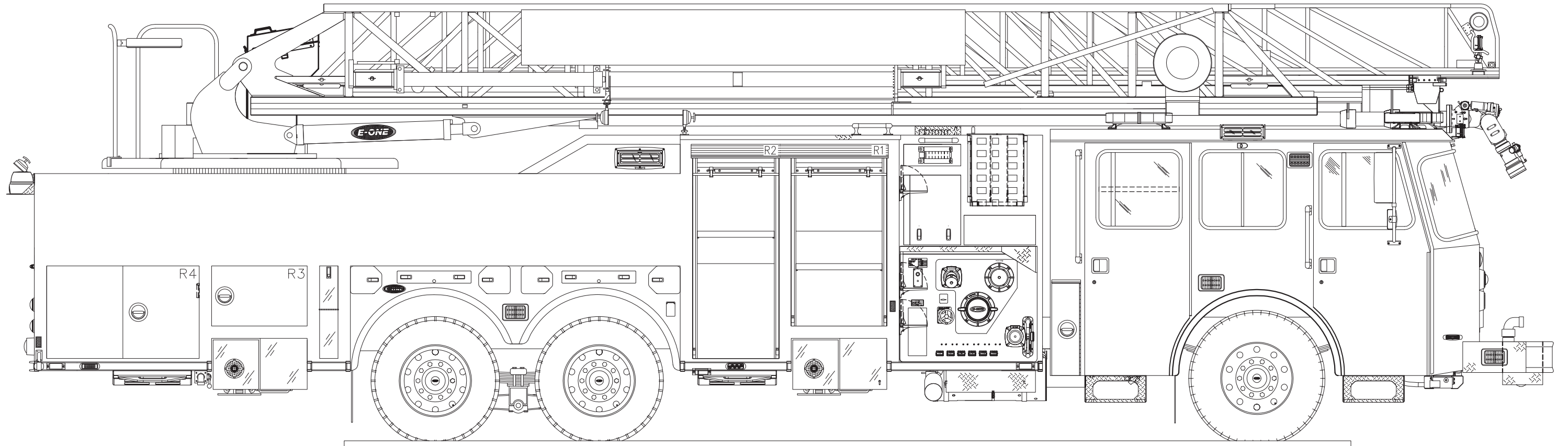
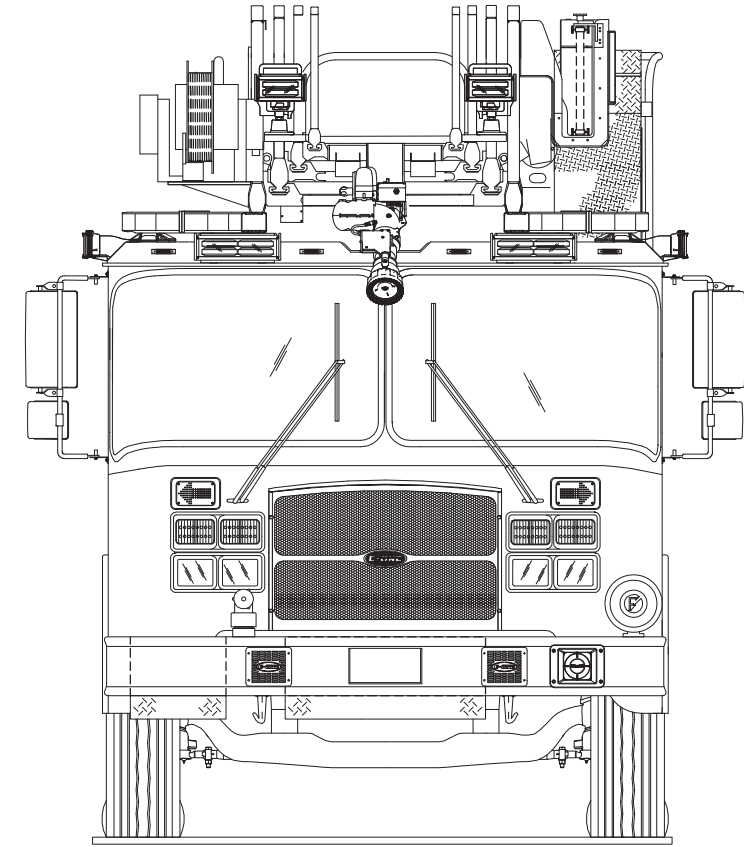
SO.141084 / Q69292

AERIAL BODY
CYCLONE II X CHASSIS
HP100 AERIAL LADDER

THIS DRAWING IS FOR REFERENCE PURPOSES. ALL DIMENSIONS ARE
SUBJECT TO MINOR VARIATIONS DUE TO MANUFACTURING PROCESSES.

APPROVED FOR PRODUCTION

DESIGNER: DANIEL BRAY DATE: 2017-JAN-18



GACRET	C	RFC	2017-JAN-18	AMEKAR
DJB	B	RFC	2018-NOV-22	DJB
DJB	A	INITIAL RELEASE	2016-NOV-08	DJB
DRAWN BY	REV	DESCRIPTION	DATE	APPROVED