

MIDDLETOWN FIRE COMPANY

MEDIA, PA

QUOTE 87605
AERIAL BODY
TYPHOON X CHASSIS
HP78 AERIAL LADDER

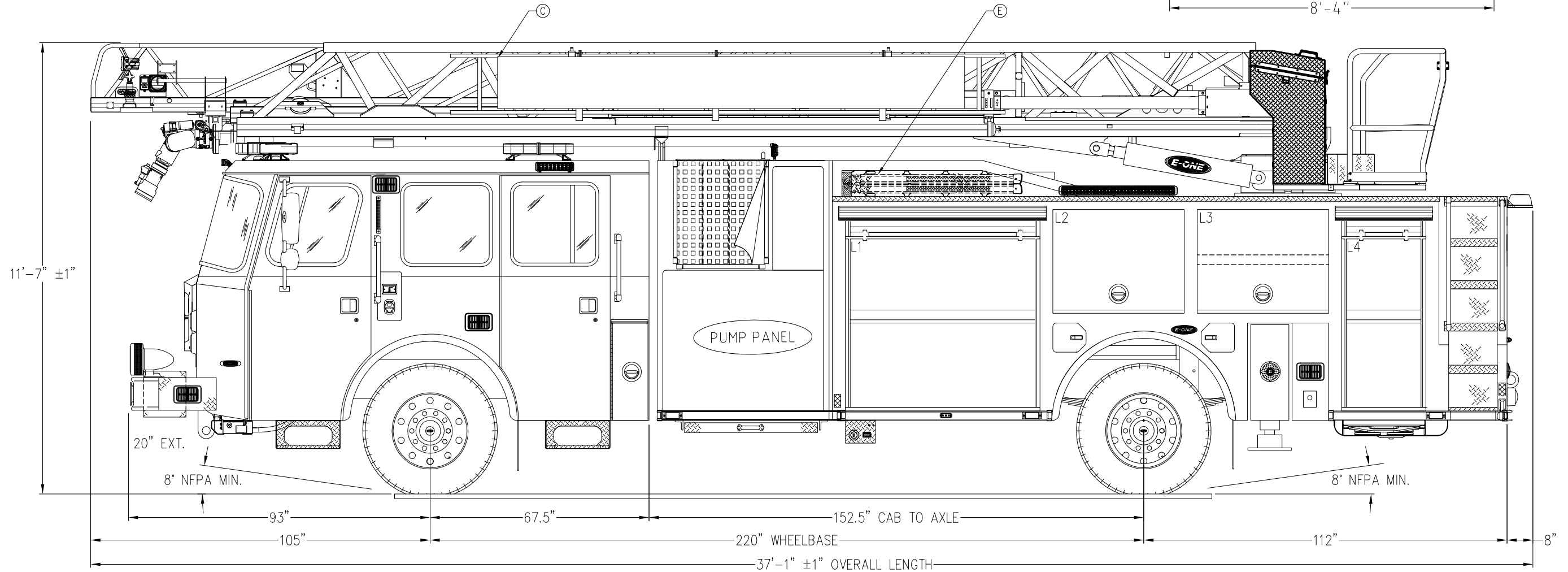
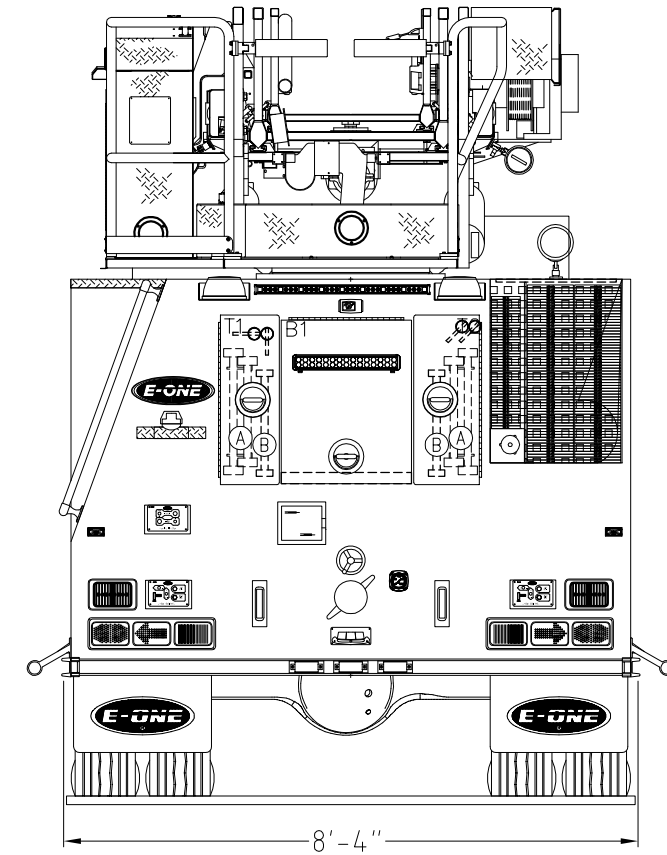
THIS DRAWING IS FOR REFERENCE PURPOSES. ALL DIMENSIONS ARE SUBJECT TO MINOR VARIATIONS DUE TO MANUFACTURING PROCESSES.

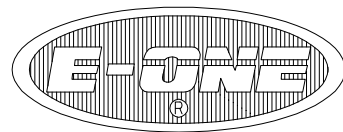
This print is the property of E-ONE, Inc. and is loaned to you subject to return on demand, unless otherwise agreed to in writing by E-ONE, Inc. Its contents are confidential and must not be copied or submitted to third parties for use or examination.

2000 GPM HALE QMAX PUMP	HOSE LOAD:
500 GALLON WATER TANK	300' OF 3.00" DJ
30 GALLON INTEGRAL "A" FOAM CELL	1000' OF 5.00" LDH

COMPT.	OPENING		INTERIOR DIMENSION			
L1/R1	58W	52H	60W	35H	24D	UPPER
			60W	26H	26D	LOWER
L2	40W	31H	40W	35H	24D	
L3	40W	31H	40W	21H	21D	UPPER
			40W	14H	24D	LOWER
L4	24W	52H	26W	35H	24D	UPPER
			26W	26H	26D	LOWER
R2	47W	26H	45W	26H	26D	
B1	21W	28H	TURNTALE ACCESS ONLY			
T1	10W	28H	VERTICAL LADDER STORAGE			
T2	11W	28H	VERTICAL LADDER STORAGE			
T3	23W	9H	PIKE POLE/ATTIC LAD STOR			

GROUND LADDERS				
ITEM	LADDER LENGTH	MODEL NUMBER	QTY	
A	28' 2-SECT.	PEL-28	2	
B	16' ROOF	PRL-16	2	
C	14' ROOF	PRL-14	1	ON AERIAL
D	10' FOLDING	FL-10	1	
E	LITTLE GIANT	MODEL 17	1	





MIDDLETOWN FIRE COMPANY

MEDIA, PA

QUOTE 87605

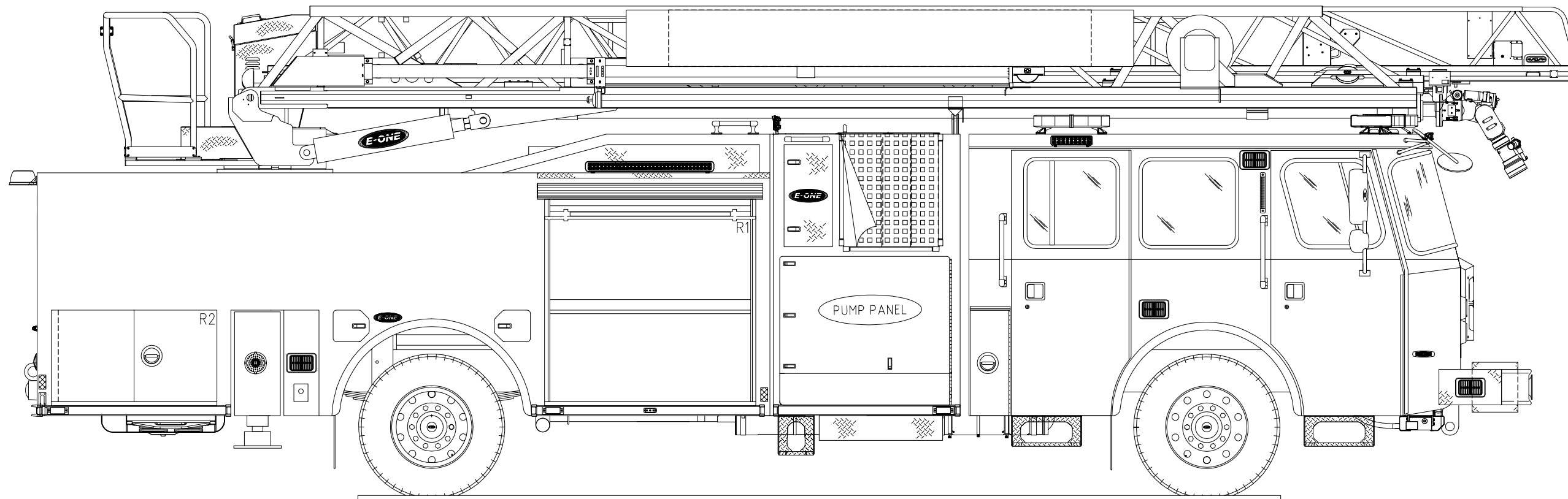
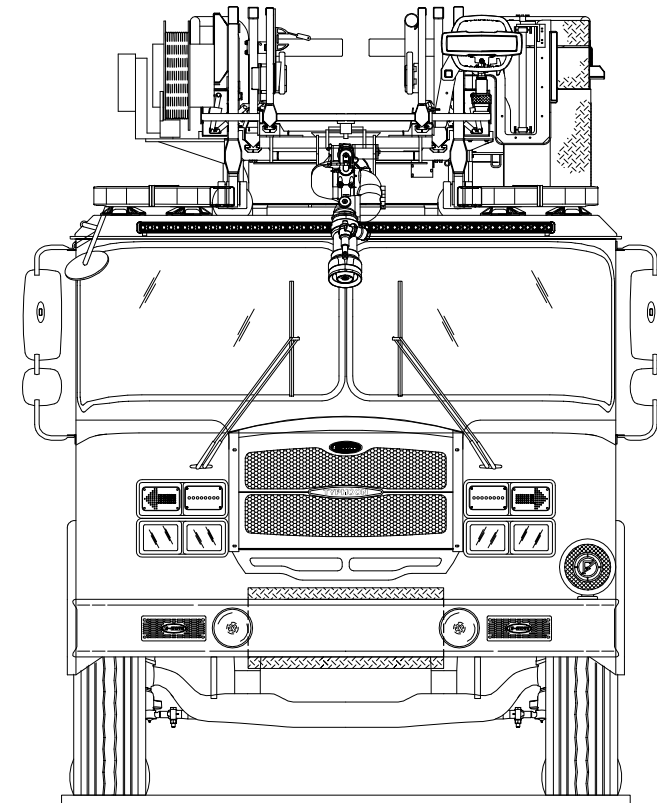
AERIAL BODY

TYPHOON X CHASSIS

HP78 AERIAL LADDER

THIS DRAWING IS FOR REFERENCE PURPOSES. ALL DIMENSIONS ARE SUBJECT TO MINOR VARIATIONS DUE TO MANUFACTURING PROCESSES.

This print is the property of E-ONE, Inc. and is loaned to you subject to return on demand, unless otherwise agreed to in writing by E-ONE, Inc. Its contents are confidential and must not be copied or submitted to third parties for use or examination.



D.B.	A	INITIAL RELEASE	2017-10-09	D.B.
DRAWN BY	REV	DESCRIPTION	DATE	APPROVED
		PROPOSAL REVISIONS		SHEET 2 OF 2