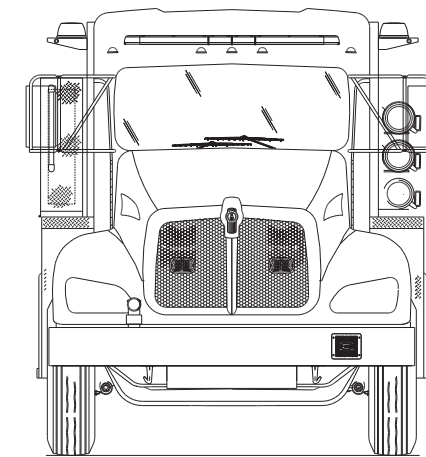


3500 GALLON FOL-DA-TANK

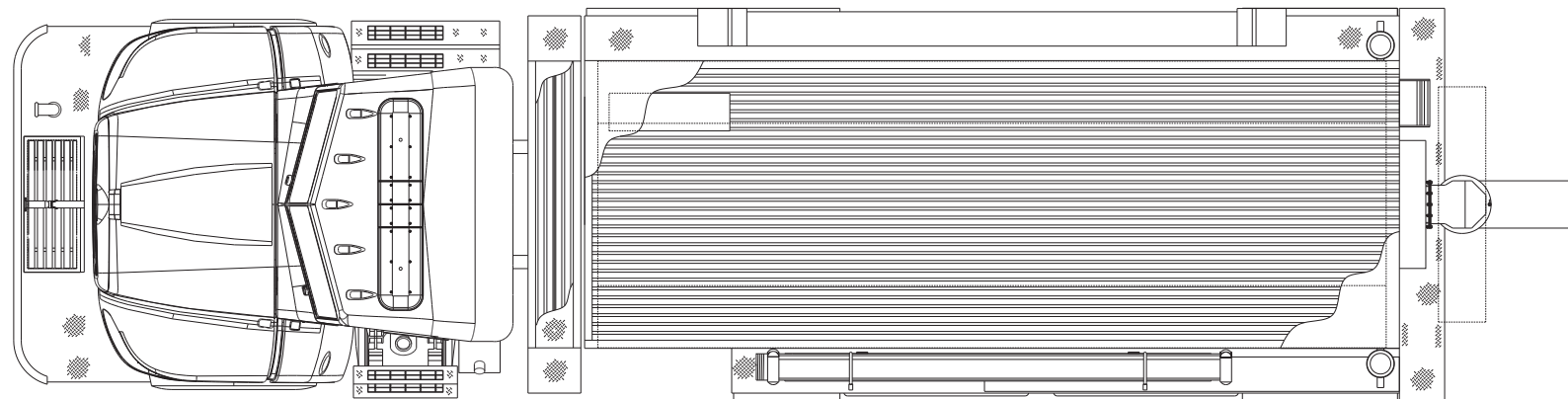
R2

60-1/2

OFFICERS SIDE VIEW

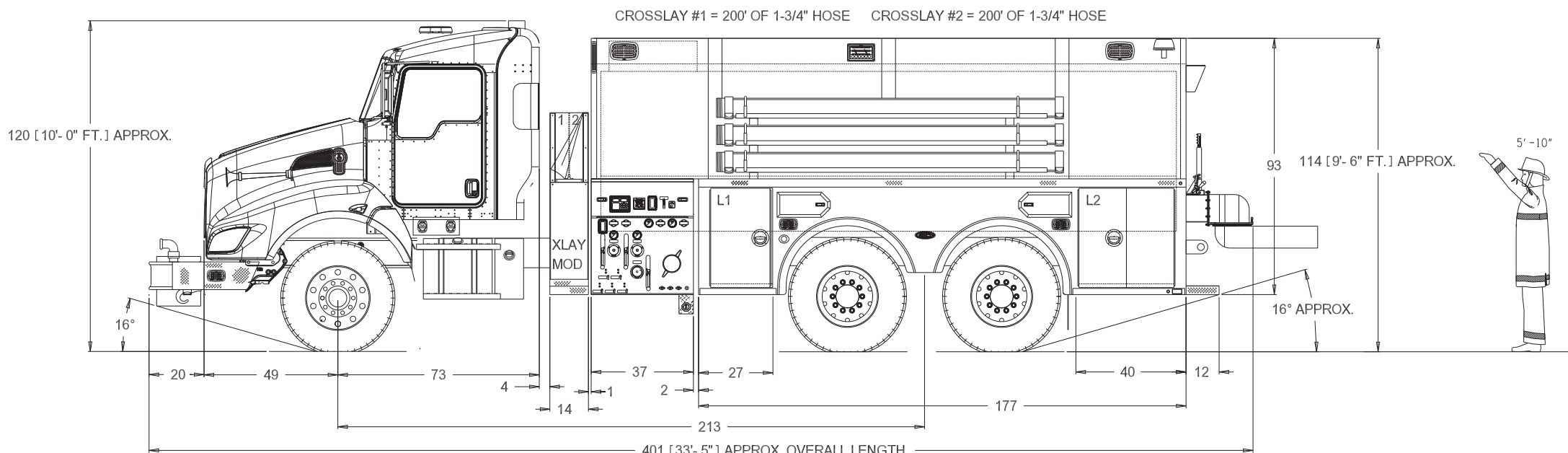


FRONT VIEW



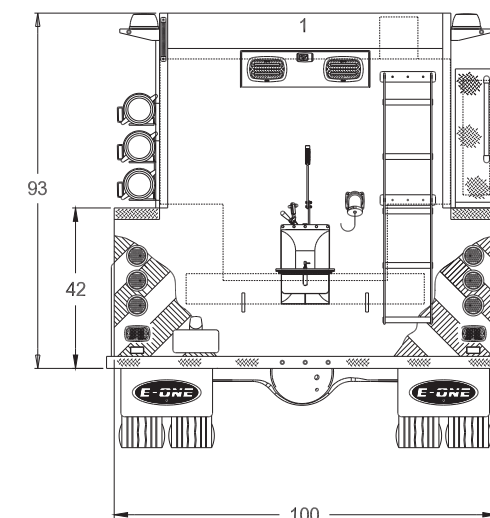
TOP VIEW

COMPARTMENT DIMENSIONS		
COMPT.	CLEAR DOOR OPENING (W x H):	COMPARTMENT INTERIOR (W x H x LD/UD):
L1	19-1/2"W x 31-3/4"H	23"W x 38"H x 27"D
L2	33"W x 31-3/4"H	36"W x 38"H x 27"D
R1	58-1/2"W x 31-3/4"H	62"W x 38"H x 27"D
R2	33"W x 31-3/4"H	36"W x 38"H x 27"D



DRIVERS SIDE VIEW

NFPA COMPLIANT HOSE BED CAPACITY



REAR VIEW

THIS DRAWING IS FOR REFERENCE PURPOSES. ALL DIMENSIONS ARE SUBJECT TO MINOR VARIATIONS DUE TO MANUFACTURING PROCESSES.

This print is the property of E-ONE Inc. and is loaned to you subject to return on demand, unless otherwise agreed to in writing by E-ONE Inc. Its contents are confidential and must not be copied or submitted to third parties for use or examination.

REV.	REVISION NOTE / CO#:	DATE:	DRAWN BY:
A	INITIAL DRAWING	11/18/16	EJR
B	CAB WAS KW T440 EXT, WAS 42" SM PUMP MODULE	12/07/16	EJR
C	T440 CAB WAS M2 112, OAL WAS 32'-7", OAH WAS 9'-7"	02/24/17	EJR
D	REMOVED HD STEEL BUMPER, AND PIO REAR LIGHTS	3/24/17	EJR
E	FINAL UPDATE, 3" BMPR DISCH MOVE TO OFCR SIDE CUSTOMER SUPPLIED Q2B TO INSTALL ON DRVR SIDE	5/12/17	EJR

Tolerance:	Lin: ±.50" Ang: ±50 °
Units:	Inches [mm Imports Only]
Dealer:	FIRST CHOICE FIRE
Generator:	NA
Misc:	-


MEDFORD LAKES FIRE DEPT
 SO# 141416 (WTTS-COMM)
 WETSID TANKER 3000 GALLON
 KENWORTH T440 2-DOOR EXT CAB

APPROVED FOR PRODUCTION

DESIGNER: E.ROY DATE: 5/12/2017