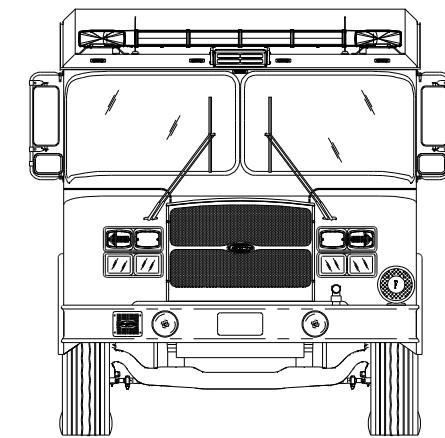
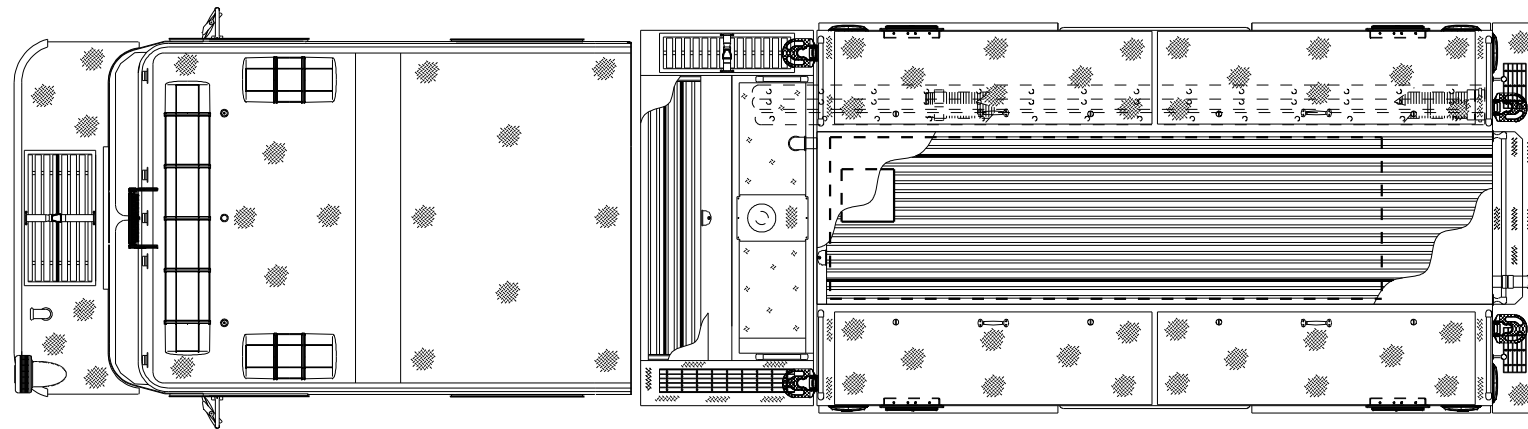


OFFICER SIDE VIEW



FRONT VIEW

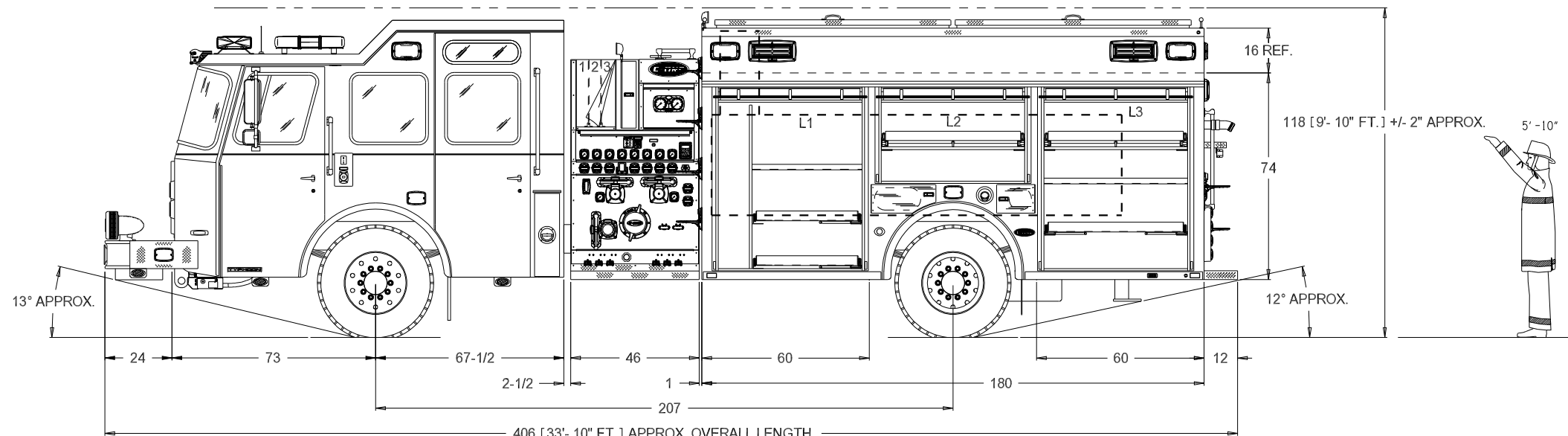


TOP VIEW

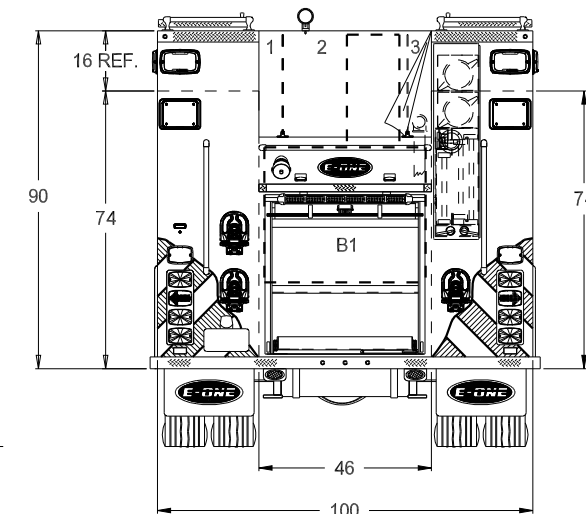
COMPARTMENT DIMENSIONS		
COMPT.	CLEAR DOOR OPENING (W x H):	COMPARTMENT INTERIOR (W x H x LD/UD):
L1	51-1/2"W x 59-1/2"H	56"W x 70"H x 27"D
L2	51-1/2"W x 28-1/4"H	60"W x 38-3/4"H x 27"D
L3	51-1/2"W x 59-1/2"H	56"W x 70"H x 27"D
R1	51-1/2"W x 59-1/2"H	56"W x 31-1/4"H x 27"D L / 56"W x 38-3/4"H x 14"D U
R2	51-1/2"W x 28-1/4"H	60"W x 38-3/4"H x 14"D
R3	51-1/2"W x 59-1/2"H	56"W x 31-1/4"H x 27"D L / 56"W x 38-3/4"H x 14"D U
B1	39"W x 33-3/4"H	46"W x 45"H x 26"D

HOSE BED LAYOUT:
 BED 1 = 200' OF 3" HOSE
 BED 2 = 1200' OF 5" HOSE
 BED 3 = 500' OF 3" HOSE
 PRECONNECT

CROSSLAY #1 = 200' OF 1-3/4" HOSE CROSSLAY #2 = 200' OF 1-3/4" HOSE CROSSLAY #3 = 200' OF 2-1/2" HOSE



DRIVERS SIDE VIEW



REAR VIEW

THIS DRAWING IS FOR REFERENCE PURPOSES. ALL DIMENSIONS ARE SUBJECT TO MINOR VARIATIONS DUE TO MANUFACTURING PROCESSES.

This print is the property of E-ONE, Inc. and is loaned to you subject to return on demand, unless otherwise agreed to in writing by E-ONE, Inc. Its contents are confidential and must not be copied or submitted to third parties for use or examination.

SALES REFERENCE ONLY

REV.	REVISION NOTE / CO#.	DATE:	DRAWN BY:	Tolerance: Lin: ±.50" Ang: ±50 °	Units: Inches [mm Imports Only]
-	INITIAL DRAWING TO MATCH QUOTE REV. 34	060818	R.S.	Dealer: FIRST CHOICE	Water Tank Capacity: 780 GALLON TANK
-				Generator: -	Misc: -
-				Misc: -	Misc: -
-					
-					
-					
-					
-					
-					



LOGAN TOWNSHIP FIRE
 QUOTE NO. 89716 (PSRS-TYPH)
 RESCUE PUMPER 780 GALLON TANK
 TYPHOON LONG 12" VISTA
 FILE NAME: 89716 LOGAN TOWNSHIP FIRE