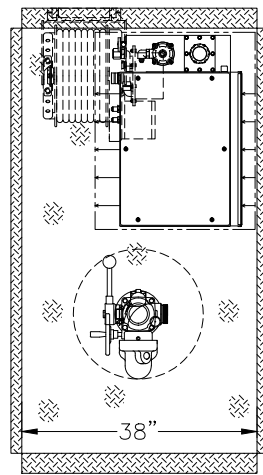
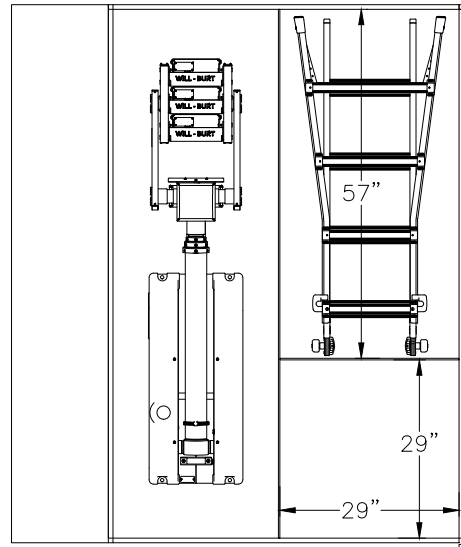
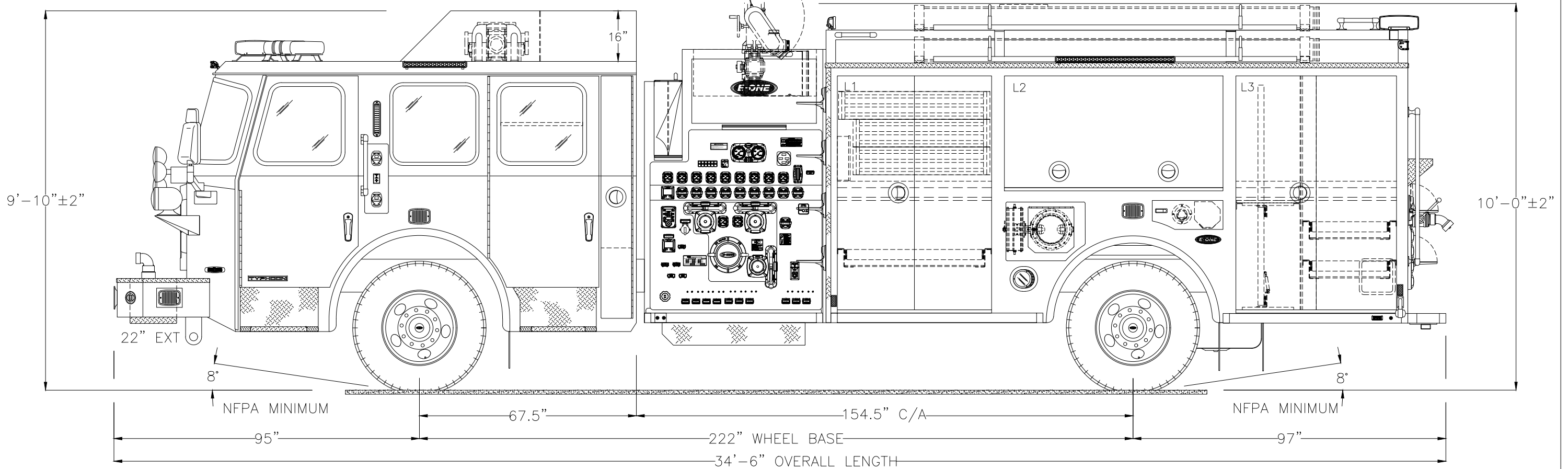
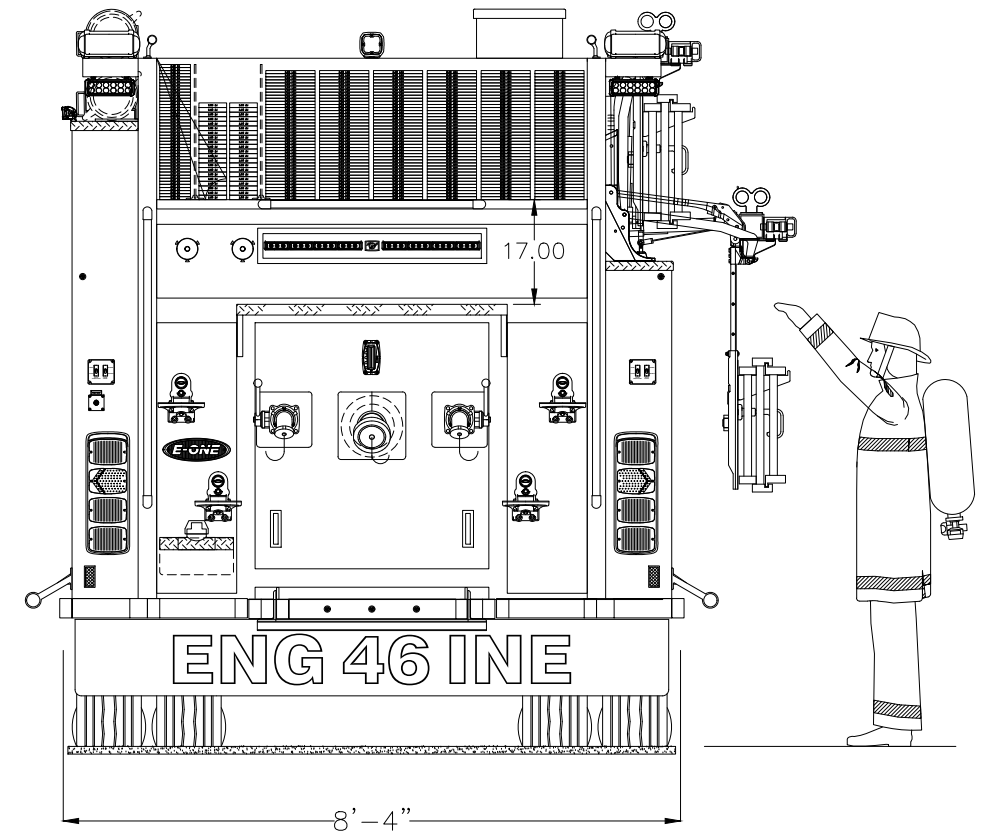


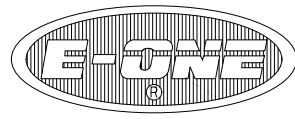
**KUTZTOWN VOLUNTEER FIRE COMPANY**  
**KUTZTOWN, PA**  
*S.O. 144734/Q104106*  
**PUMPER/TANKER**  
**E-ONE TYPHOON 4X2 CHASSIS**

1500 GPM HALE QMAX PUMP		HOSE LOAD:	
2000 GALLON POLY III WATER TANK		200' OF 3.00" DJ	
6KW HARRISON HYDLR GENERATOR		300' OF 2.50" DJ	
		1400' OF 5.0" LDH	
COMPT.	OPENING	INTERIOR DIMENSION	
L1	48W 72H	48W 34H 12D	UPPER
		48W 34H 26D	LOWER
R1	48W 50H	48W 12H 12D	UPPER
		48W 34H 26D	LOWER
L2	68W 34H	68W 34H	12D
R2	68W 12H	68W 12H	12D
L3	50W 72H	50W 34H 12D	UPPER
		50W 34H 26D	LOWER
R3	50W 50H	50W 12H 12D	UPPER
		50W 34H 26D	LOWER
THIS DRAWING IS FOR REFERENCE PURPOSES. ALL DIMENSIONS ARE SUBJECT TO MINOR VARIATIONS DUE TO MANUFACTURING PROCESSES.			
This print is the property of E-ONE, Inc. and is loaned to you subject to return on demand, unless otherwise agreed to in writing by E-ONE, Inc. Its contents are confidential and must not be copied or submitted to third parties for use or examination.			



HOSEBED HEIGHT:  
 (FOR REFERENCE ONLY)  
 TO TAILBOARD: 65"  
 TO GROUND: 89"

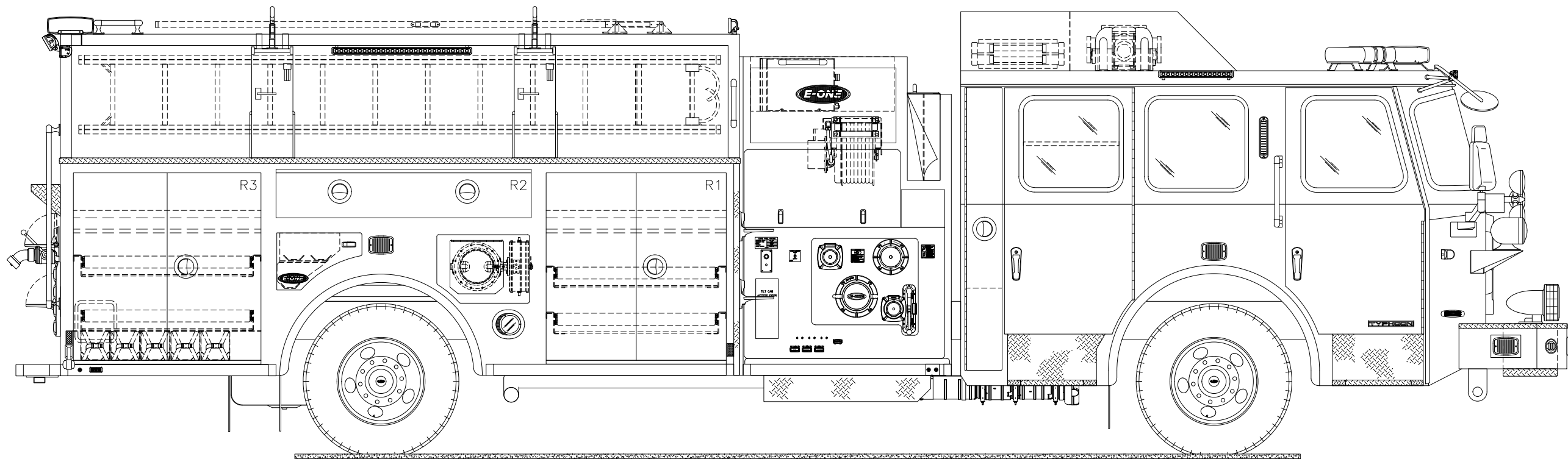
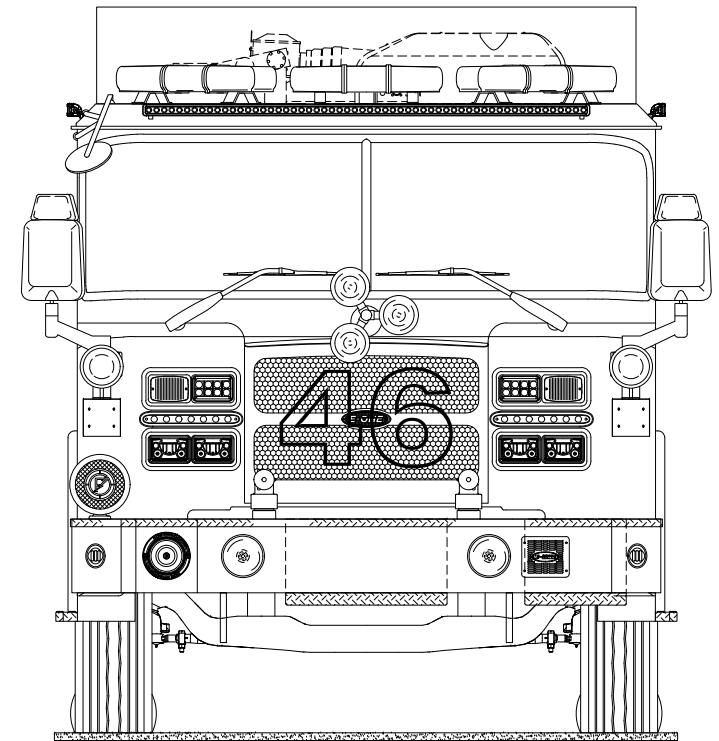




**KUTZTOWN VOLUNTEER FIRE COMPANY**  
**KUTZTOWN, PA**  
*Quote # 104106*  
**PUMPER/TANKER**  
**E-ONE TYPHOON 4X2 CHASSIS**

THIS DRAWING IS FOR REFERENCE PURPOSES. ALL DIMENSIONS ARE  
SUBJECT TO MINOR VARIATIONS DUE TO MANUFACTURING PROCESSES.

This print is the property of E-ONE, Inc. and is loaned to you  
subject to return on demand, unless otherwise agreed to in writing by  
E-ONE, Inc. Its contents are confidential and must not be  
copied or submitted to third parties for use or examination.



WHAYDEN	A.3	ORDER REVIEW 2	2021-08-29	WHAYDEN
DRAWN BY	REV	DESCRIPTION	DATE	APPROVED
		APPROVAL REVISIONS		SHEET 2 OF 2