

# KING OF PRUSSIA FIRE COMPANY

## KING OF PRUSSIA, PA.

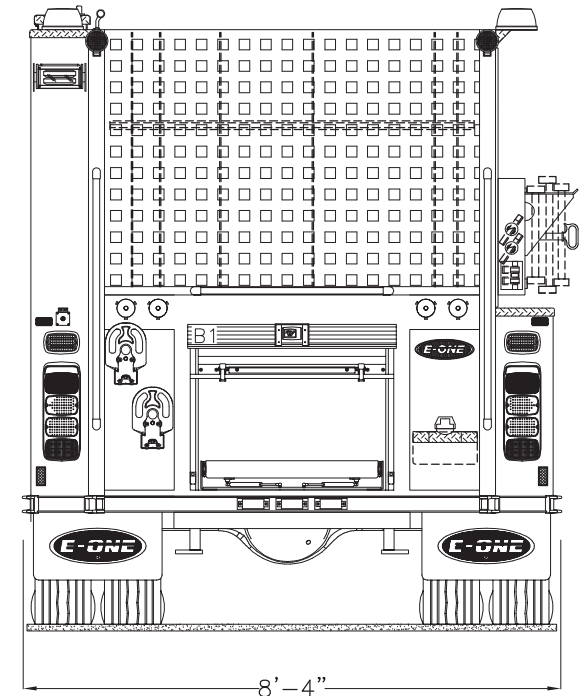
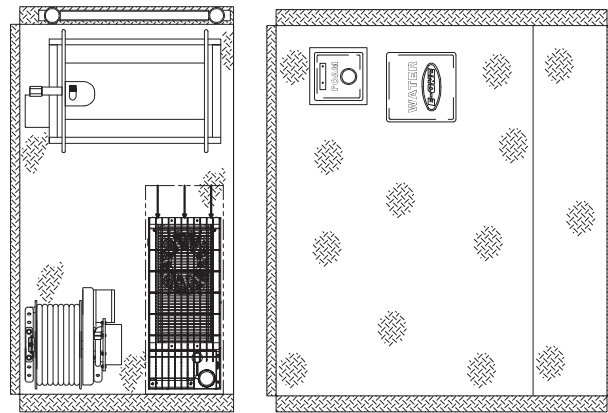
S.O. 140532 / QUOTE 74271  
 CUSTOM 36 PUMPER  
 E-ONE TYPHOON X LONG CAB 4X2 CHASSIS

1500 GPM HALE QMAX PUMP			HOSE LOAD:			
750 GALLON WATER TANK			600' OF 2.50" DJ			
30 GALLON INTEGRAL "B" FOAM CELL			600' OF 3.00" DJ			
			1800' OF 5.00" LDH			
			600' OF 1.75" DJ			
COMPT.	OPENING		INTERIOR DIMENSION			
L1	34W	59H	36W	25H	12D	UPPER
R1	36W	30H	36W	30H	26D	LOWER
L2	54W	25H	56W	25H	12D	
R2	50W	30H	50W	30H	26D	
L3	48W	59H	50W	25H	12D	UPPER
			50W	30H	26D	LOWER
B1	36W	43H	38W	13H	12D	UPPER
			38W	30H	26D	LOWER

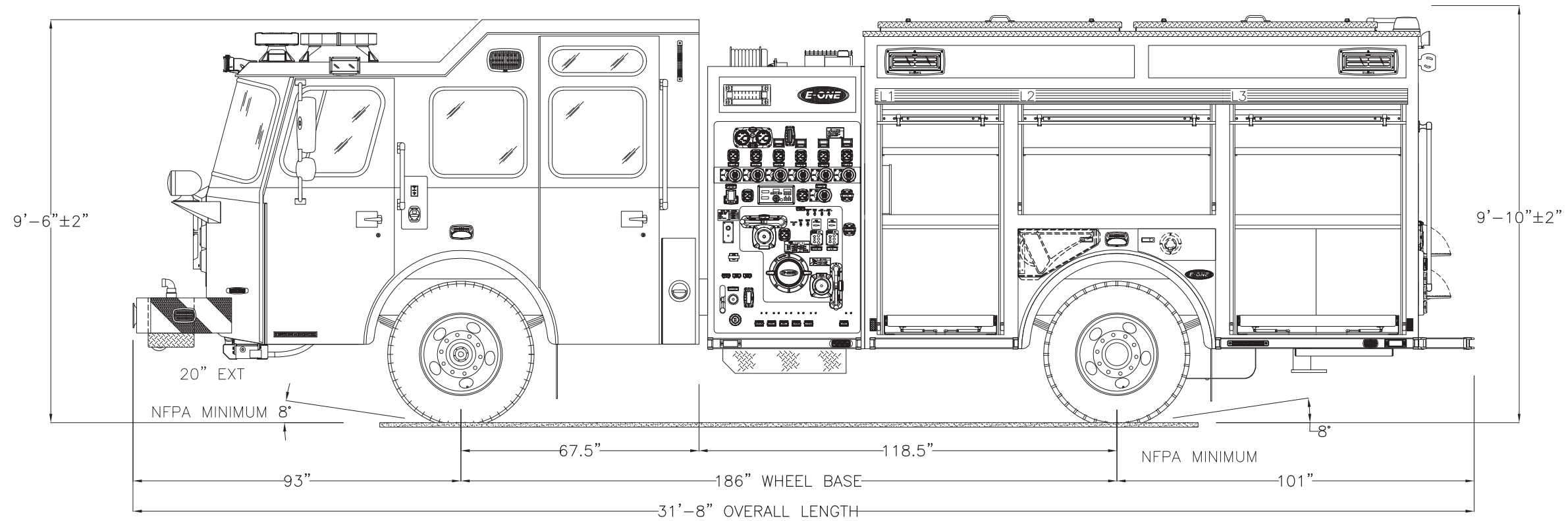
THIS DRAWING IS FOR REFERENCE PURPOSES. ALL DIMENSIONS ARE SUBJECT TO MINOR VARIATIONS DUE TO MANUFACTURING PROCESSES.

**APPROVED FOR PRODUCTION**

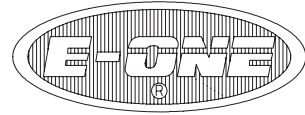
DESIGNER: J. DRAY DATE: 2016-MAY-03



HOSEBED HEIGHT:  
 (FOR REFERENCE ONLY)  
 TO TAILBOARD: 39"  
 TO GROUND: 63"



GACRET	D	RFP	2016-MAY-26	JHAMMOND
GACRET	C	RFP	2016-MAY-19	JDRAY
GACRET	B	RFP	2016-MAY-04	JDRAY
GACRET	A	INITIAL RELEASE	2016-APR-14	JDRAY
DRAWN BY	REV	DESCRIPTION	DATE	APPROVED
APPROVAL REVISIONS				SHEET 1 OF 2

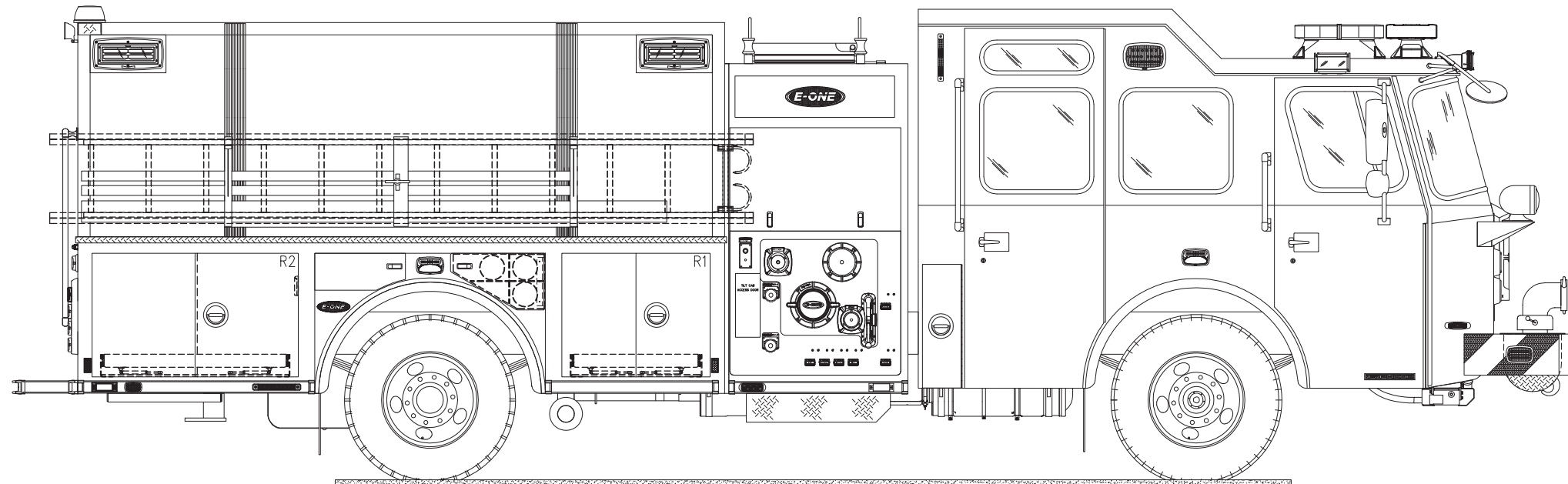
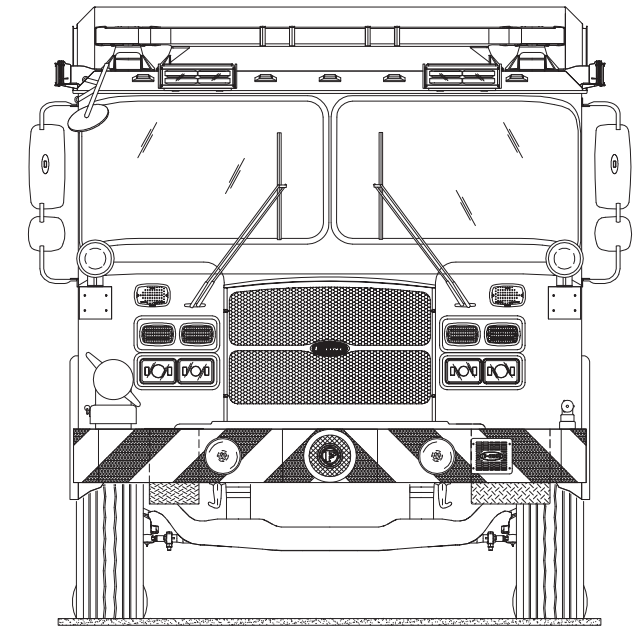


**KING OF PRUSSIA FIRE COMPANY**  
**KING OF PRUSSIA, PA.**  
*S.O. 140532 / QUOTE 74271*  
**CUSTOM 36 PUMPER**  
**E-ONE TYPHOON X LONG CAB 4X2 CHASSIS**

THIS DRAWING IS FOR REFERENCE PURPOSES. ALL DIMENSIONS ARE  
 SUBJECT TO MINOR VARIATIONS DUE TO MANUFACTURING PROCESSES.

**APPROVED FOR PRODUCTION**

DESIGNER: J. DRAY DATE: 2016-MAY-03



GACRET	D	RFP	2016-MAY-26	JHAMMOND
GACRET	C	RFP	2016-MAY-19	JDRAY
GACRET	B	RFP	2016-MAY-04	JDRAY
GACRET	A	INITIAL RELEASE	2016-APR-14	JDRAY
DRAWN BY	REV	DESCRIPTION	DATE	APPROVED
APPROVAL REVISIONS				SHEET 2 OF 2