

# HARRISONVILLE FIRE COMPANY HARRISONVILLE, NJ

SO#138513 / QUOTE 56802

CUSTOM 42 RESCUE PUMPER

E-ONE TYPHOON X MEDIUM CAB 4X2 CHASSIS

1500 GPM HALE QMAX PUMP		HOSE LOAD:		
1030 GALLON WATER TANK		1100' OF 4.00" LDH		
		HARD SUCTION STORAGE		
COMPT.	OPENING	INTERIOR DIMENSION		
L1	40W 59H	42W 3H 12D	UPPER	
		42W 56H 26D	LOWER	
R1	40W 59H	42W 25H 12D	UPPER	
		42W 30H 26D	LOWER	
L2	54W 25H	56W 3H 12D	UPPER	
		56W 22H 26D	LOWER	
R2	54W 25H	56W 25H 12D		
L3	54W 59H	42W 3H 12D	FRONT UPPER	
		42W 56H 26D	FRONT LOWER	
		14W 3H 10D	REAR UPPER	
		14W 56H 24D	REAR LOWER	
R3	54W 59H	42W 25H 12D	FRONT UPPER	
		42W 30H 26D	FRONT LOWER	
		14W 25H 10D	REAR UPPER	
		14W 30H 24D	REAR LOWER	
B1	36W 29H	38W 38H 26D		

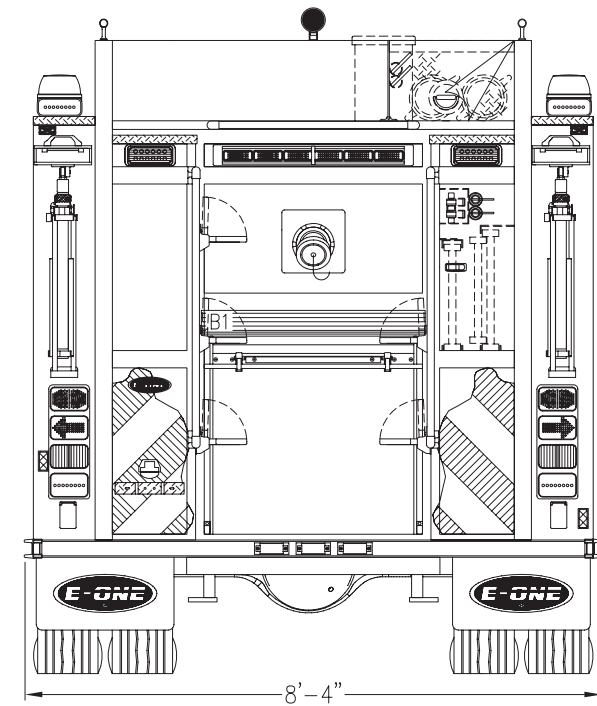
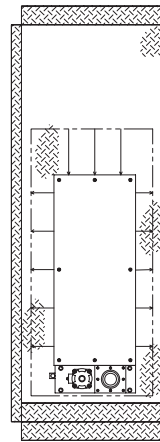
THIS DRAWING IS FOR REFERENCE PURPOSES. ALL DIMENSIONS ARE SUBJECT TO MINOR VARIATIONS DUE TO MANUFACTURING PROCESSES.

AS MANUFACTURED

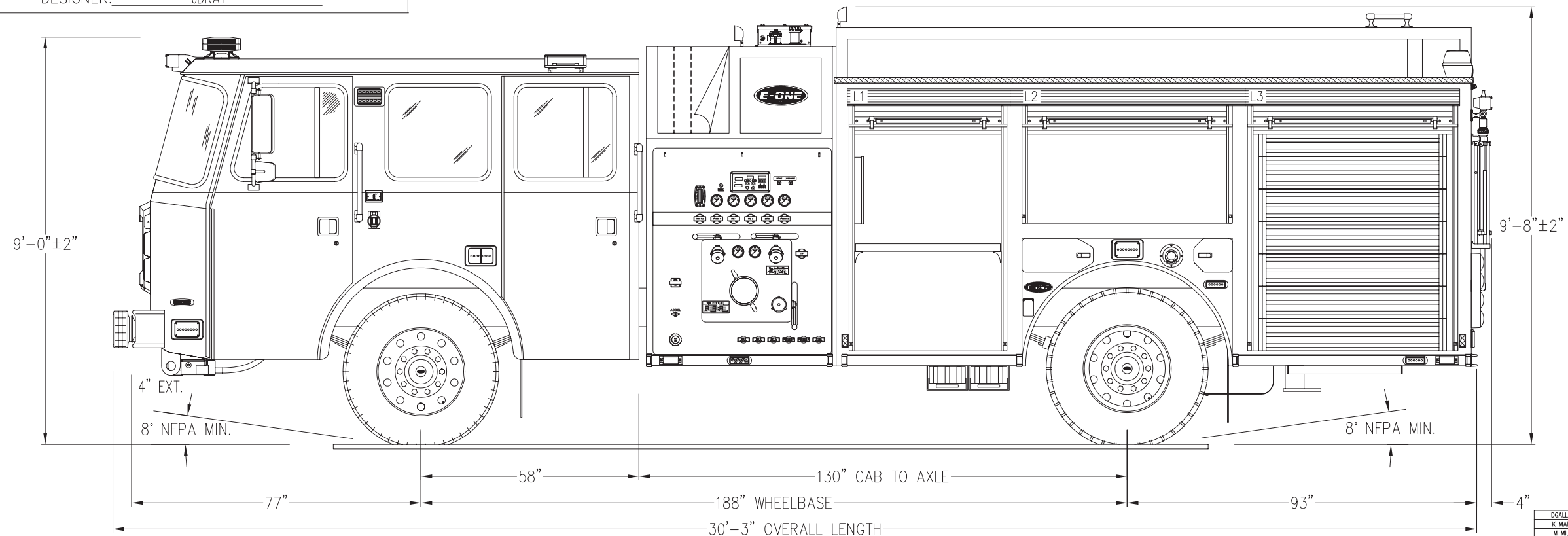
REVISION A DATE: 2014-MAR-18

REVISION B DATE:

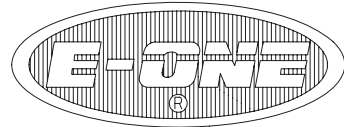
DESIGNER: JDRAY



HOSEBED HEIGHT:  
(FOR REFERENCE ONLY)  
TO TAILBOARD: 72"  
TO GROUND: 96"



DGALLAGHER	D	AS MANUFACTURED "A"	2014-MAR-18	JDRAY
K MARQUES	C	RFP	2013-NOV-07	D CLIFFORD
M MILDNER	B	RFC	2013-OCT-29	M MILDNER
M MILDNER	A	INITIAL RELEASE	2013-OCT-10	M MILDNER
DRAWN BY	REV	DESCRIPTION	DATE	APPROVED
		PROPOSAL REVISIONS		SHEET 1 OF 2



# HARRISONVILLE FIRE COMPANY HARRISONVILLE, NJ

SO#138513 / QUOTE 56802

CUSTOM 42 RESCUE PUMPER

E-ONE TYPHOON X MEDIUM CAB 4X2 CHASSIS

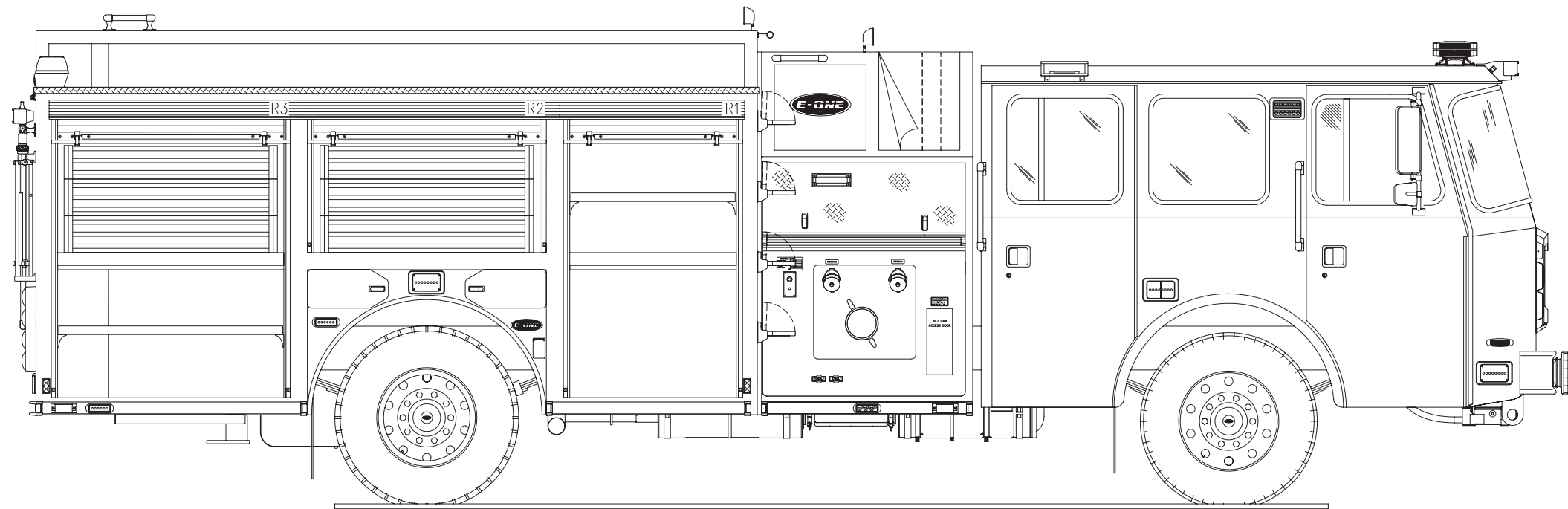
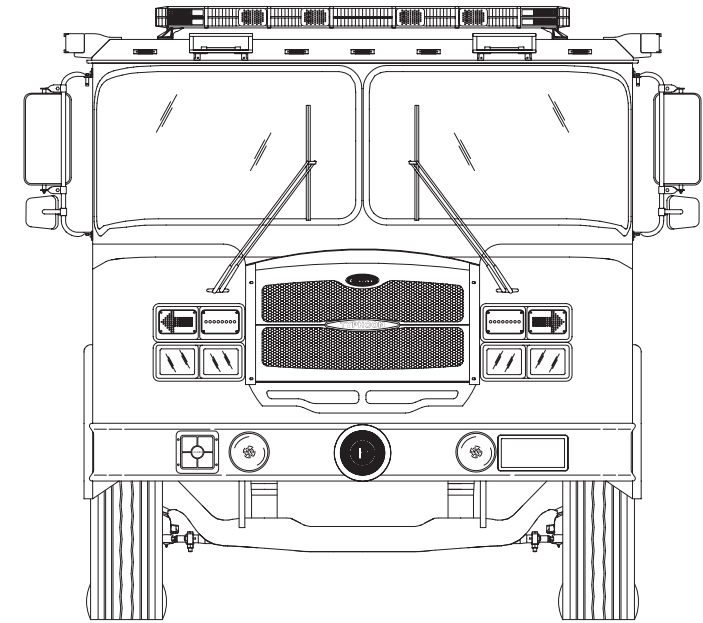
THIS DRAWING IS FOR REFERENCE PURPOSES. ALL DIMENSIONS ARE  
SUBJECT TO MINOR VARIATIONS DUE TO MANUFACTURING PROCESSES.

AS MANUFACTURED

REVISION A DATE: 2014-MAR-18

REVISION B DATE: \_\_\_\_\_

DESIGNER: JDRAY



DRAWN BY	REV	DESCRIPTION	DATE	APPROVED
DGALLAGHER	D	AS MANUFACTURED "A"	2014-MAR-18	JDRAY
K MARQUES	C	RFP	2013-NOV-07	D CLIFFORD
M MILDNER	B	RFC	2013-OCT-29	M MILDNER
M MILDNER	A	INITIAL RELEASE	2013-OCT-10	M MILDNER
PROPOSAL REVISIONS				SHEET 2 OF 2