

E-ONE, INC.
OCALA, FL
 SO.142049 / Q88368
 AERIAL BODY
 TYPHOON X CHASSIS
 HP75 AERIAL LADDER

THIS DRAWING IS FOR REFERENCE PURPOSES. ALL DIMENSIONS ARE SUBJECT TO MINOR VARIATIONS DUE TO MANUFACTURING PROCESSES.

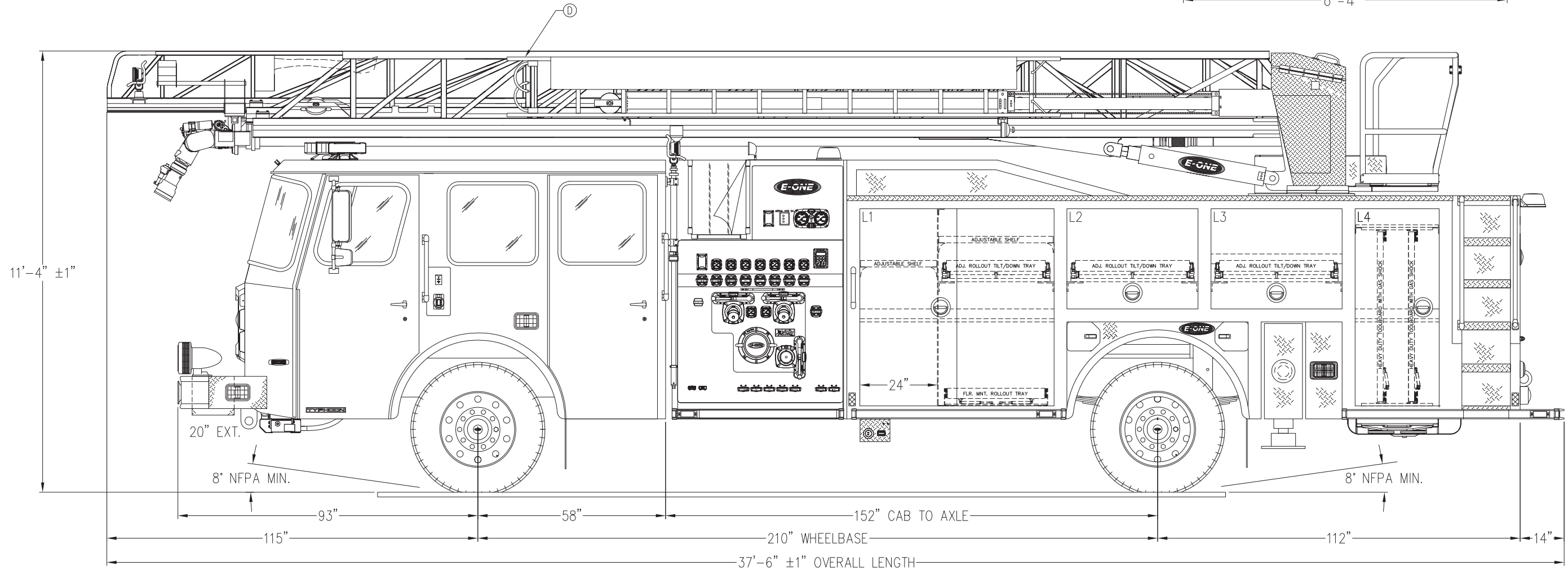
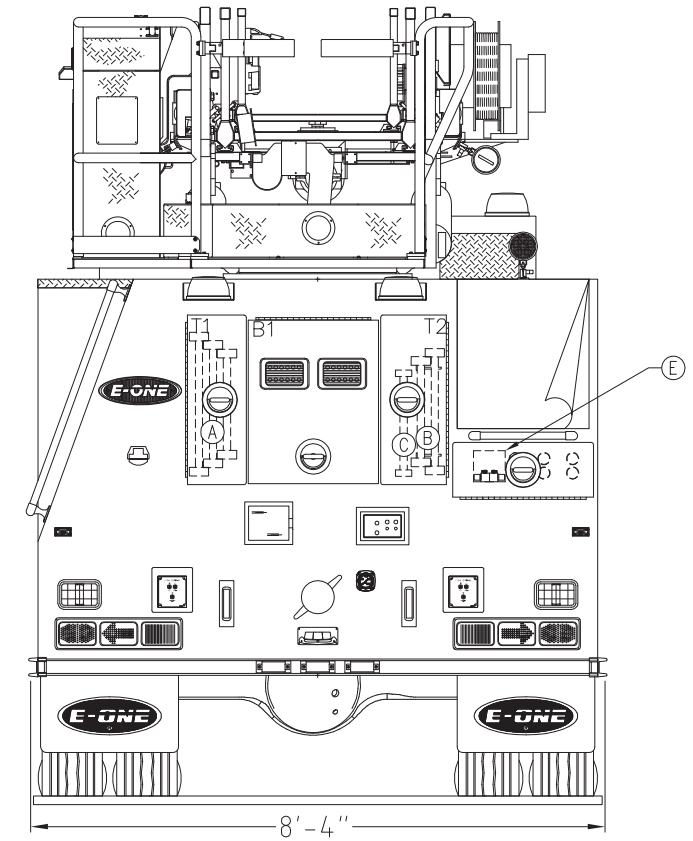
APPROVED FOR PRODUCTION

DESIGNER: D. BRAY DATE: 2017-10-27

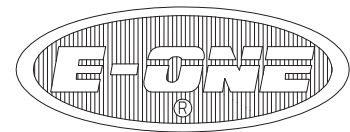
1500 GPM WATEROUS CSU PUMP	HOSE LOAD:
480 GALLON WATER TANK	STD
20 GALLON INTEGRAL "A" FOAM CELL	

COMPT.	OPENING		INTERIOR DIMENSION			
L1	60W	61H	60W	35H	24D	UPPER
			60W	26H	26D	LOWER
L2	40W	31H	40W	35H	24D	
L3	40W	31H	40W	21H	21D	UPPER
			40W	14H	24D	LOWER
L4	26W	61H	26W	35H	24D	UPPER
			26W	26H	26D	LOWER
R1	60W	61H	60W	35H	23D	UPPER
			60W	26H	26D	LOWER
R2	47W	26H	45W	26H	26D	
B1	21W	28H	TURNTALE ACCESS ONLY			
T1	10W	28H	VERTICAL LADDER STORAGE			
T2	11W	28H	VERTICAL LADDER STORAGE			
T3	23W	9H	PIKE POLE/ATTIC LAD STOR			

GROUND LADDERS				
ITEM	LADDER LENGTH	MODEL NUMBER	QTY	
A	35' 3-SECT.	PEL3-35	1	
B	28' 2-SECT.	PEL-28	1	
C	16' ROOF	PRL-16	1	
D	14' ROOF	PRL-14	1	ON AERIAL
E	10' FOLDING	FL-10	1	



GACRET	B	CHANGE ORDER	2018-JUN-01	BEMASON
D.B.	A	INITIAL RELEASE	2017-11-16	D.B.
DRAWN BY	REV	DESCRIPTION	DATE	APPROVED
		PROPOSAL REVISIONS		SHEET 1 OF 2

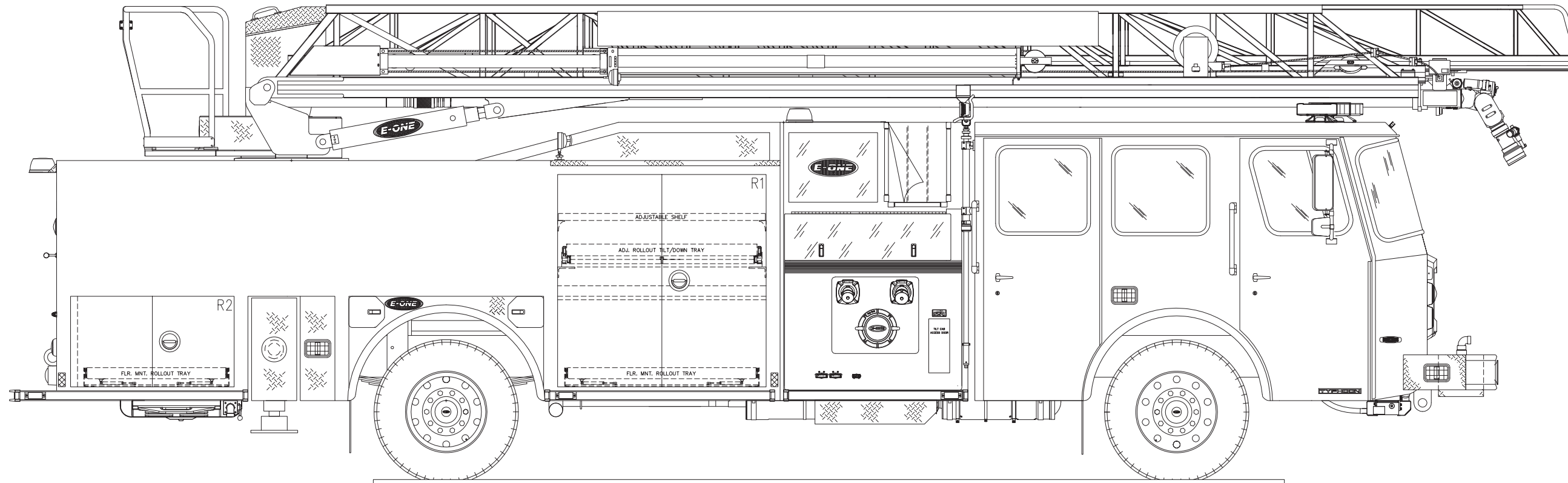
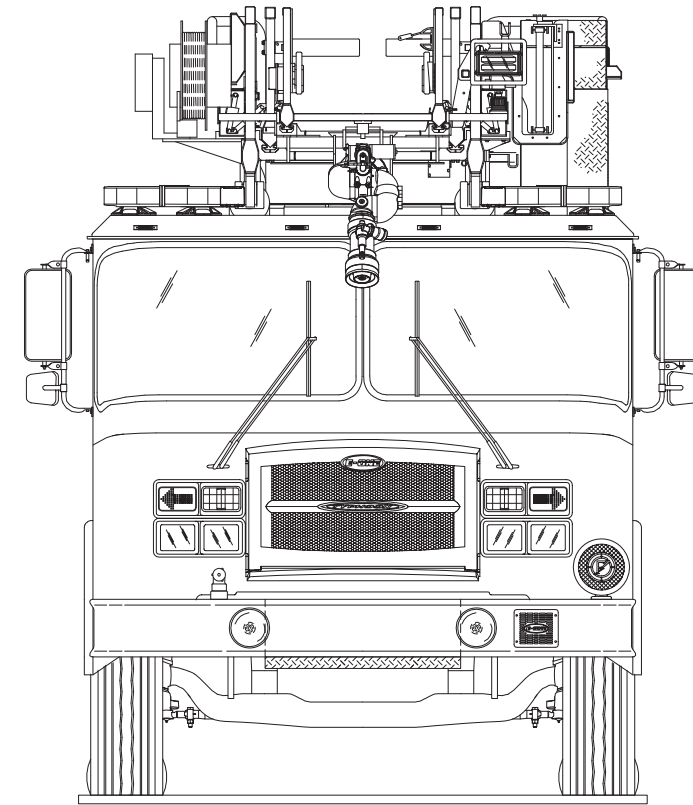


E-ONE, INC.
OCALA, FL
SO.142049 / Q88368
AERIAL BODY
TYPHOON X CHASSIS
HP75 AERIAL LADDER

THIS DRAWING IS FOR REFERENCE PURPOSES. ALL DIMENSIONS ARE
 SUBJECT TO MINOR VARIATIONS DUE TO MANUFACTURING PROCESSES.

APPROVED FOR PRODUCTION

DESIGNER: D. BRAY DATE: 2017-10-27



GACRET	B	CHANGE ORDER	2018-JUN-01	BEMASON
D.B.	A	INITIAL RELEASE	2017-10-27	D.B.
DRAWN BY	REV	DESCRIPTION	DATE	APPROVED
		PROPOSAL REVISIONS		SHEET 2 OF 2