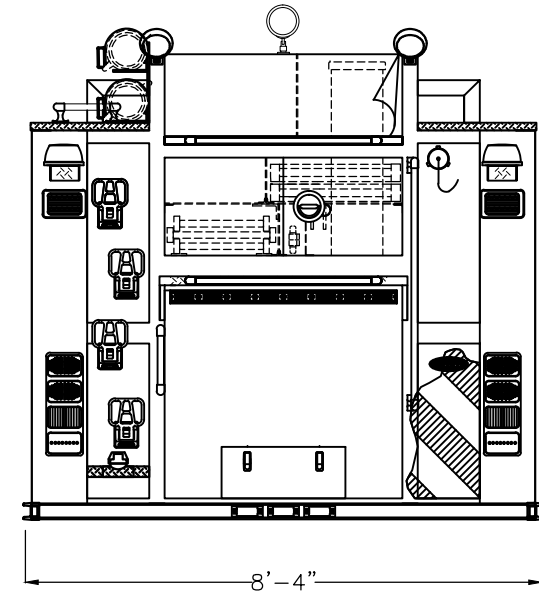
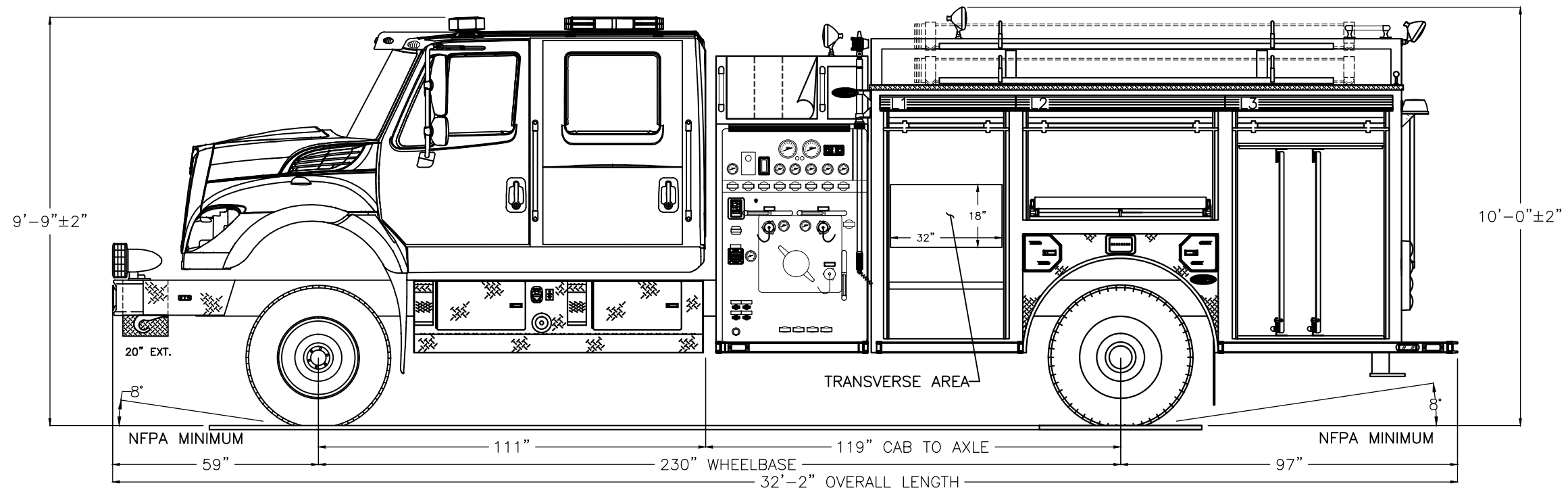


**LOWER TWP FIRE DIST #3**  
**ERMA, NJ**  
*SO.137542 / Q52016*  
**CAR36 RESCUE PUMPER**  
**INTERNATIONAL 7400 4X2 4DR CHASSIS**

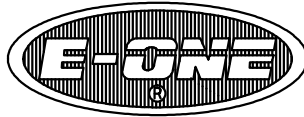
1500 GPM HALE QMAX PUMP 400 GALLON WATER TANK		<b>HOSE LOAD:</b> 500' OF 5.00" LDH 300' OF 3.00" DJ	
COMPT.	OPENING	INTERIOR DIMENSION	
L1/R1	34W 59H	36W 59H	24D
L2/R2	54W 25H	56W 25H	24D
L3/R3	43W 59H	45W 59H	24D
This print is the property of Emergency One, Inc. and is loaned to you subject to return on demand, unless otherwise agreed to in writing by Emergency One, Inc. Its contents are confidential and must not be copied or submitted to third parties for use or examination.			
THIS DRAWING IS FOR REFERENCE PURPOSES. ALL DIMENSIONS ARE SUBJECT TO MINOR VARIATIONS DUE TO MANUFACTURING PROCESSES.			
<b>APPROVED FOR PRODUCTION</b>			
DESIGNER: D. BRAY		DATE: 5-17-2012	



**HOSEBED HEIGHT:**  
 (FOR REFERENCE ONLY)  
 TO TAILBOARD: 74"  
 TO GROUND: 98"



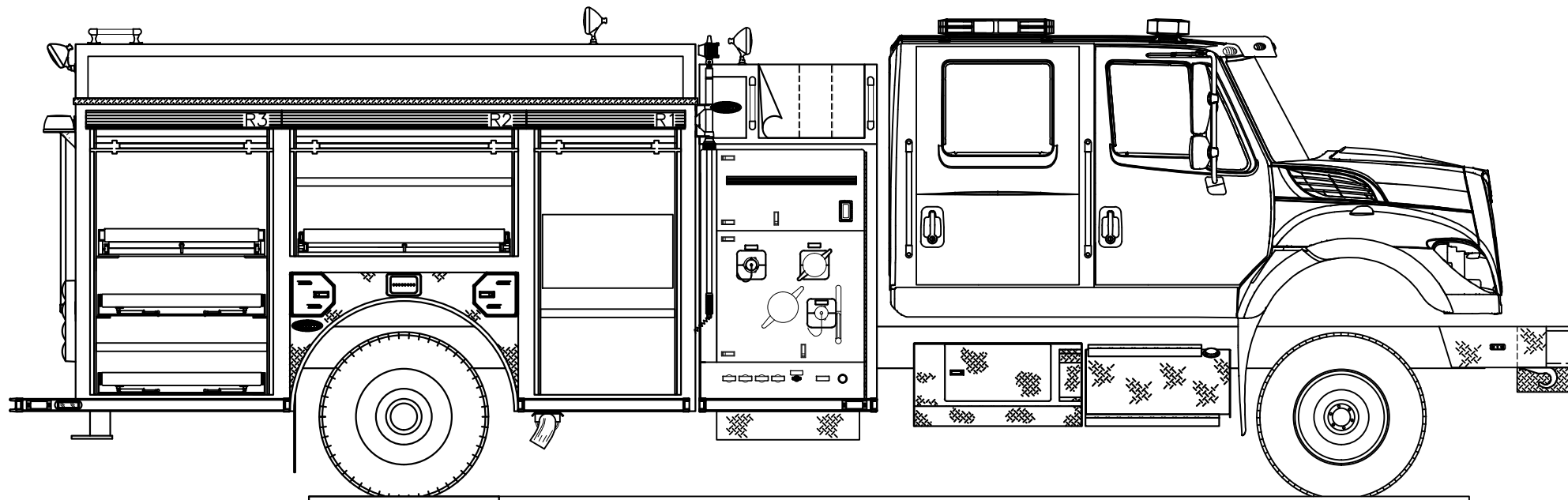
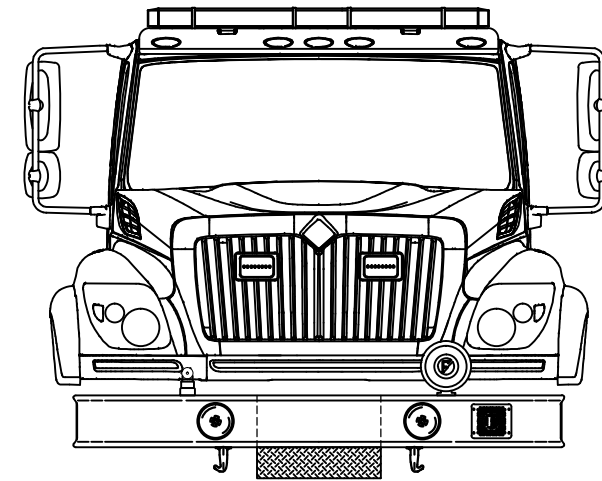
DB	B	RP	5/18/2012	DB
DB	A	INITIAL RELEASE	5/23/2012	DB
DRAWN BY	REV	DESCRIPTION	DATE	APPROVED
APPROVAL REVISIONS				SHEET 1 OF 2



**LOWER TWP FIRE DIST #3**  
**ERMA, NJ**  
*SO.137542 / Q52016*  
**CAR36 RESCUE PUMPER**  
**INTERNATIONAL 7400 4X2 4DR CHASSIS**

THIS DRAWING IS FOR REFERENCE PURPOSES. ALL DIMENSIONS ARE  
SUBJECT TO MINOR VARIATIONS DUE TO MANUFACTURING PROCESSES.

**APPROVED FOR PRODUCTION**  
DESIGNER:           D. BRAY           DATE:   5-17-2012  



D.B.	B	RP	5/15/2012	D.B.
D.B.	A	INITIAL RELEASE	5/03/2012	D.B.
DRAWN BY	REV	DESCRIPTION	DATE	APPROVED
APPROVAL REVISIONS				SHEET 2 OF 2