



**DEPTFORD TWP. BOARD OF COMMS.
DEPTFORD, NJ**

S.O. 142388 / QUOTE 86753

MID-MOUNT AERIAL BODY
CYCLONE II X CHASSIS
HP95 MID-MOUNT PLATFORM

THIS DRAWING IS FOR REFERENCE PURPOSES. ALL DIMENSIONS ARE SUBJECT TO MINOR VARIATIONS DUE TO MANUFACTURING PROCESSES.

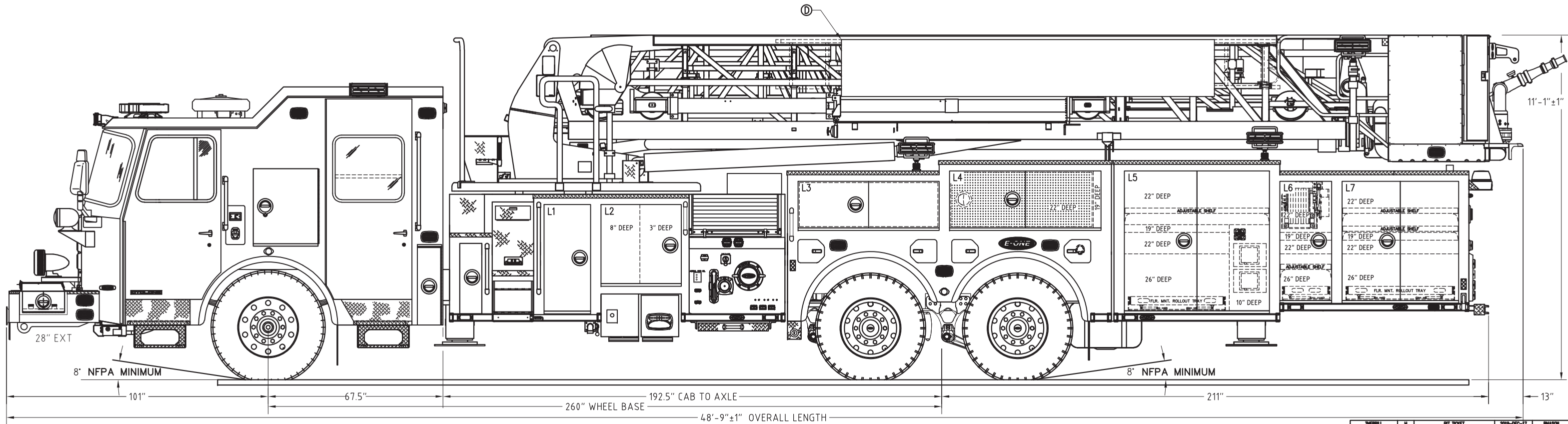
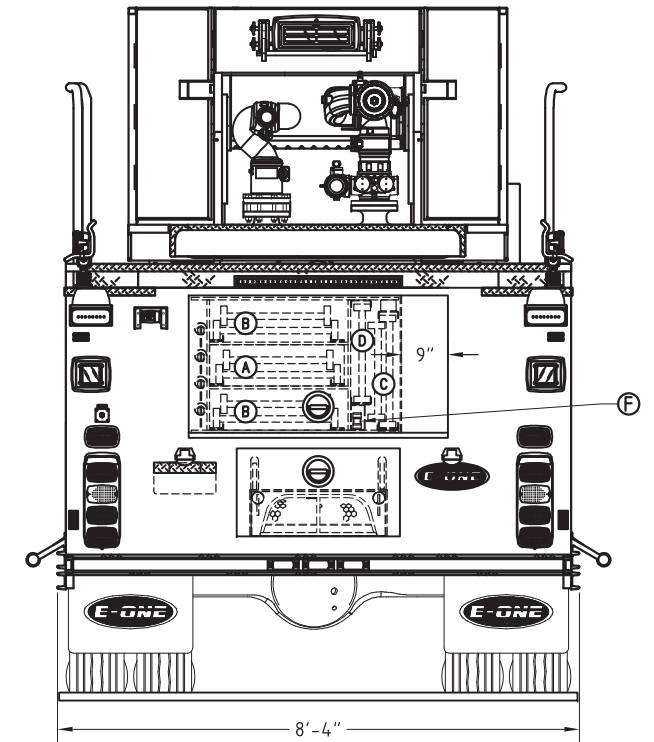
APPROVED FOR PRODUCTION

DESIGNER: BRIAN MASON DATE: 09-10-2018

2000 GPM HALE 8FGR PUMP
300 GALLON WATER TANK

COMPT.	OPENING		INTERIOR DIMENSION		
L1	18W	41H	OIL RESEVOIR		
R1	18W	41H	18W	41H	11D
L2/R2	31W	30H	31W	30H	NOTED
L3/R3	54W	18H	54W	18H	14D
L4/R4	58W	22H	58W	22H	NOTED
L5/R5	56W	54H	56W	32H	NOTED UPPER
			56W	22H	NOTED LOWER
L6/R6	20W	46H	20W	28H	NOTED UPPER
			20W	18H	NOTED LOWER
L7/R7	45W	46H	45W	28H	NOTED UPPER
			45W	18H	NOTED LOWER

GROUND LADDERS				
ITEM	LADDER LENGTH	MODEL NUMBER	QTY	
A	35' 2-SECT.	1200-A 35'	1	
B	28' 2-SECT.	1200-A 28'	2	
C	24' 2-SECT.	900-A 24'	1	
D	16' ROOF	875-A 16'	2	ONE ON AERIAL
E	14' ROOF	775-DR 14'	1	ON AERIAL
F	10' FOLDING	FL-10	1	
G	12' ROOF	775-DR 12'	1	ON AERIAL FLY



REV	DESCRIPTION	DATE	APPROVED
1	INITIAL RELEASE	2018-MAY-30	EMASON
2	RELEASE	2018-MAY-30	EMASON
3	RELEASE	2018-MAY-30	EMASON
4	RELEASE	2018-MAY-30	EMASON
5	RELEASE	2018-MAY-30	EMASON
6	RELEASE	2018-MAY-30	EMASON
7	RELEASE	2018-MAY-30	EMASON
8	RELEASE	2018-MAY-30	EMASON
9	RELEASE	2018-MAY-30	EMASON
10	RELEASE	2018-MAY-30	EMASON
11	RELEASE	2018-MAY-30	EMASON
12	RELEASE	2018-MAY-30	EMASON
13	RELEASE	2018-MAY-30	EMASON
14	RELEASE	2018-MAY-30	EMASON
15	RELEASE	2018-MAY-30	EMASON
16	RELEASE	2018-MAY-30	EMASON
17	RELEASE	2018-MAY-30	EMASON
18	RELEASE	2018-MAY-30	EMASON
19	RELEASE	2018-MAY-30	EMASON
20	RELEASE	2018-MAY-30	EMASON
21	RELEASE	2018-MAY-30	EMASON
22	RELEASE	2018-MAY-30	EMASON
23	RELEASE	2018-MAY-30	EMASON
24	RELEASE	2018-MAY-30	EMASON
25	RELEASE	2018-MAY-30	EMASON
26	RELEASE	2018-MAY-30	EMASON
27	RELEASE	2018-MAY-30	EMASON
28	RELEASE	2018-MAY-30	EMASON
29	RELEASE	2018-MAY-30	EMASON
30	RELEASE	2018-MAY-30	EMASON
31	RELEASE	2018-MAY-30	EMASON
32	RELEASE	2018-MAY-30	EMASON
33	RELEASE	2018-MAY-30	EMASON
34	RELEASE	2018-MAY-30	EMASON
35	RELEASE	2018-MAY-30	EMASON
36	RELEASE	2018-MAY-30	EMASON
37	RELEASE	2018-MAY-30	EMASON
38	RELEASE	2018-MAY-30	EMASON
39	RELEASE	2018-MAY-30	EMASON
40	RELEASE	2018-MAY-30	EMASON
41	RELEASE	2018-MAY-30	EMASON
42	RELEASE	2018-MAY-30	EMASON
43	RELEASE	2018-MAY-30	EMASON
44	RELEASE	2018-MAY-30	EMASON
45	RELEASE	2018-MAY-30	EMASON
46	RELEASE	2018-MAY-30	EMASON
47	RELEASE	2018-MAY-30	EMASON
48	RELEASE	2018-MAY-30	EMASON
49	RELEASE	2018-MAY-30	EMASON
50	RELEASE	2018-MAY-30	EMASON
51	RELEASE	2018-MAY-30	EMASON
52	RELEASE	2018-MAY-30	EMASON
53	RELEASE	2018-MAY-30	EMASON
54	RELEASE	2018-MAY-30	EMASON
55	RELEASE	2018-MAY-30	EMASON
56	RELEASE	2018-MAY-30	EMASON
57	RELEASE	2018-MAY-30	EMASON
58	RELEASE	2018-MAY-30	EMASON
59	RELEASE	2018-MAY-30	EMASON
60	RELEASE	2018-MAY-30	EMASON
61	RELEASE	2018-MAY-30	EMASON
62	RELEASE	2018-MAY-30	EMASON
63	RELEASE	2018-MAY-30	EMASON
64	RELEASE	2018-MAY-30	EMASON
65	RELEASE	2018-MAY-30	EMASON
66	RELEASE	2018-MAY-30	EMASON
67	RELEASE	2018-MAY-30	EMASON
68	RELEASE	2018-MAY-30	EMASON
69	RELEASE	2018-MAY-30	EMASON
70	RELEASE	2018-MAY-30	EMASON
71	RELEASE	2018-MAY-30	EMASON
72	RELEASE	2018-MAY-30	EMASON
73	RELEASE	2018-MAY-30	EMASON
74	RELEASE	2018-MAY-30	EMASON
75	RELEASE	2018-MAY-30	EMASON
76	RELEASE	2018-MAY-30	EMASON
77	RELEASE	2018-MAY-30	EMASON
78	RELEASE	2018-MAY-30	EMASON
79	RELEASE	2018-MAY-30	EMASON
80	RELEASE	2018-MAY-30	EMASON
81	RELEASE	2018-MAY-30	EMASON
82	RELEASE	2018-MAY-30	EMASON
83	RELEASE	2018-MAY-30	EMASON
84	RELEASE	2018-MAY-30	EMASON
85	RELEASE	2018-MAY-30	EMASON
86	RELEASE	2018-MAY-30	EMASON
87	RELEASE	2018-MAY-30	EMASON
88	RELEASE	2018-MAY-30	EMASON
89	RELEASE	2018-MAY-30	EMASON
90	RELEASE	2018-MAY-30	EMASON
91	RELEASE	2018-MAY-30	EMASON
92	RELEASE	2018-MAY-30	EMASON
93	RELEASE	2018-MAY-30	EMASON
94	RELEASE	2018-MAY-30	EMASON
95	RELEASE	2018-MAY-30	EMASON
96	RELEASE	2018-MAY-30	EMASON
97	RELEASE	2018-MAY-30	EMASON
98	RELEASE	2018-MAY-30	EMASON
99	RELEASE	2018-MAY-30	EMASON
100	RELEASE	2018-MAY-30	EMASON



**DEPTFORD TWP. BOARD OF COMMS.
DEPTFORD, NJ**

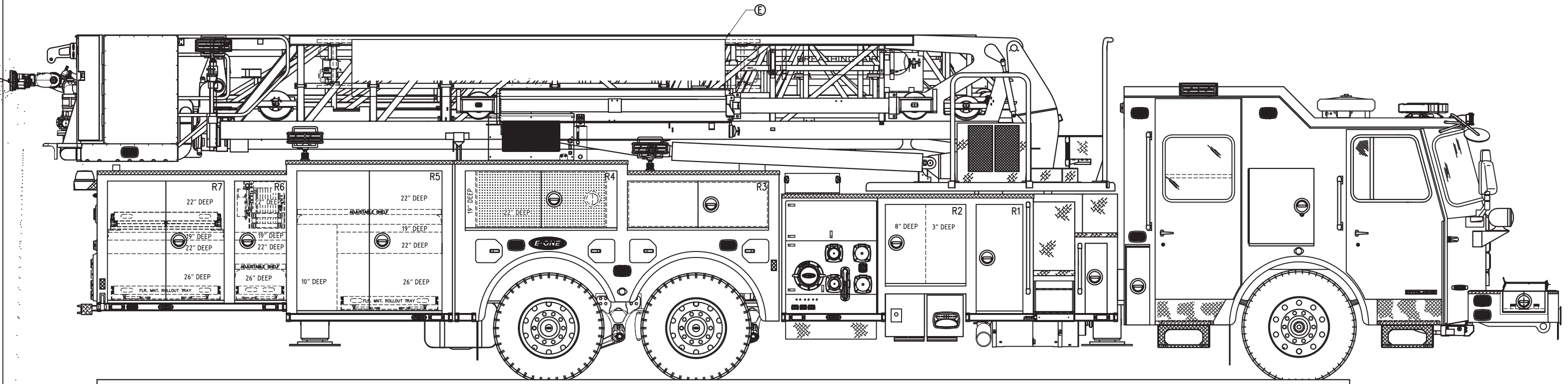
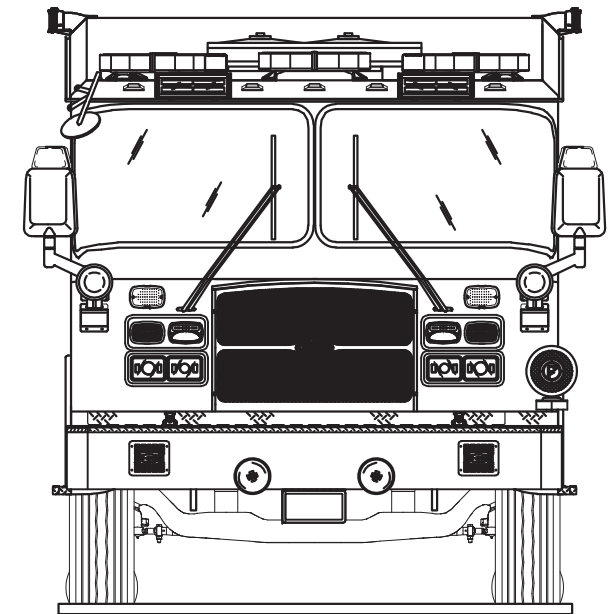
S.O. 142388 / QUOTE 86753

MID-MOUNT AERIAL BODY
CYCLONE II X CHASSIS
HP95 MID-MOUNT PLATFORM

THIS DRAWING IS FOR REFERENCE PURPOSES. ALL DIMENSIONS ARE
SUBJECT TO MINOR VARIATIONS DUE TO MANUFACTURING PROCESSES.

APPROVED FOR PRODUCTION

DESIGNER: BRIAN MASON DATE: 09-10-2018



DRAWN BY	REV	DESCRIPTION	DATE	APPROVED
MERRILL	H	PIT TICKET	2018-DEC-17	BMASON
BMASON	G	PIT TICKET	2018-SEP-20	BMASON
MERRILL	F	CHANGE ORDER	2018-SEP-18	BMASON
BMASON	E	RFP	2018-SEPT-10	BMASON
BMASON	D	RFC	2018-JULY-23	BMASON
GAURET	C	RFC	2018-JUN-28	BMASON
GAURET	B	RFC	2018-JUN-19	BMASON
GAURET	A	INITIAL RELEASE	2018-MAY-30	BMASON