

**BRYN MAWR FIRE COMPANY**  
**BRYN MAWR, PA**  
 S.O. 141942 / QUOTE 84999  
 AERIAL BODY  
 CYCLONE II X CHASSIS  
 LTH100 AERIAL LADDER

THIS DRAWING IS FOR REFERENCE PURPOSES. ALL DIMENSIONS ARE SUBJECT TO MINOR VARIATIONS DUE TO MANUFACTURING PROCESSES.

**APPROVED FOR PRODUCTION**

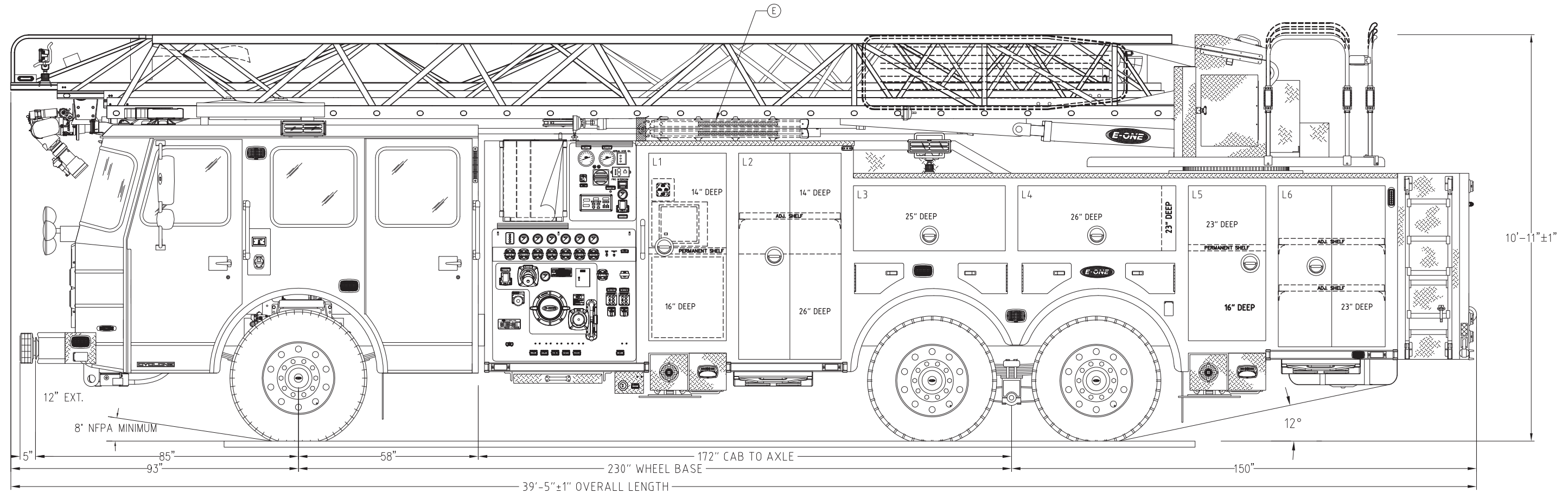
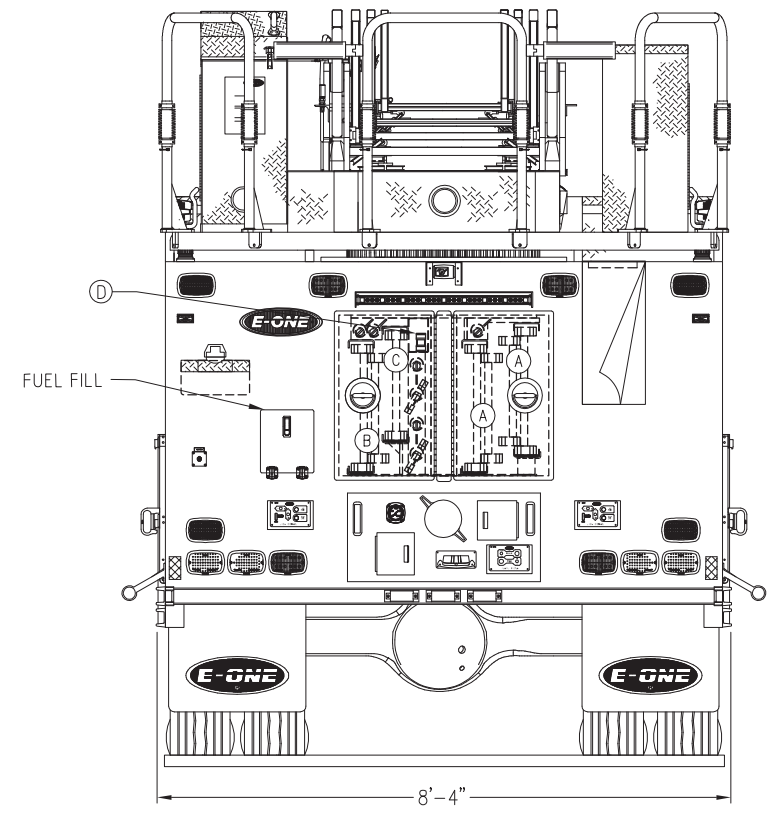
DESIGNER: BMASON DATE: 12-15-2017

1500 GPM HALE QMAX PUMP 500 GALLON WATER TANK	<b>HOSELOAD</b> 800' OF 3.00" DJ
--	-------------------------------------

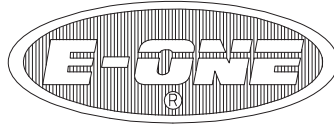
COMPT.	OPENING		INTERIOR DIMENSION			
L1/R1	25W	60H	25W	32H	14D	UPPER
			25W	28H	16D	LOWER
L2/R2	33W	66H	33W	32H	14D	UPPER
			33W	34H	26D	LOWER
L3/R3	49W	21H	49W	21H		NOTED
L4	51W	21H	46W	21H	26D	FWD
			5W	21H	23D	RWD
R4	51W	21H	51W	21H		12D
L5	25W	50H	25W	21H	23D	UPPER
			25W	29H	16D	LOWER
R5	25W	50H	25W	21H	12D	UPPER
			25W	25H	16D	LOWER
L6	34W	52H	34W	52H		23D
R6	34W	52H	34W	21H	NOTED	UPPER
			34W	27H	16D	LOWER

GROUND LADDERS			
ITEM	LADDER LENGTH	MODEL NUMBER	QTY
A	28' 2-SECT	FEL-28	2
B	24' 2-SECT.	FEL-24	1
C	14' ROOF	FRL-14	2
D	10' FOLDING	FL-10	1
E	LITTLE GIANT	MODEL 17	1

ONE ON AERIAL



MARKING	REV	DESCRIPTION	DATE	APPROVED
B	RFP	INITIAL RELEASE	2017-DEC-14	BMASON
A	INITIAL RELEASE		2017-NOV-27	BMASON
REV	DESCRIPTION		DATE	APPROVED
APPROVAL REVISIONS				SHEET 1 OF 2

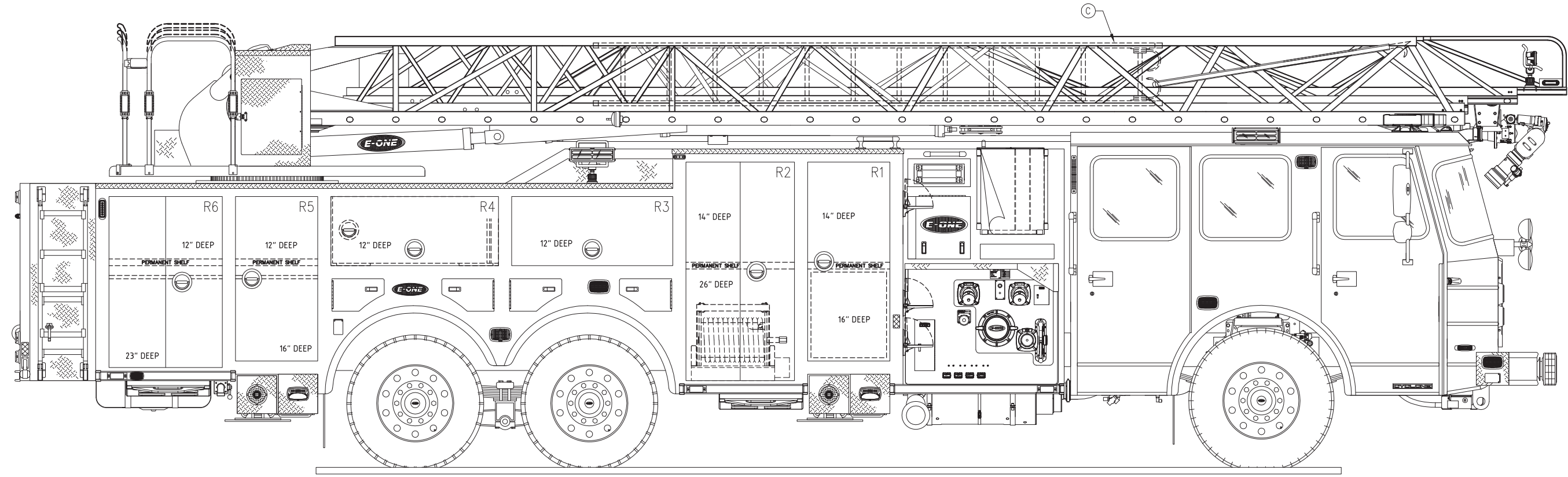
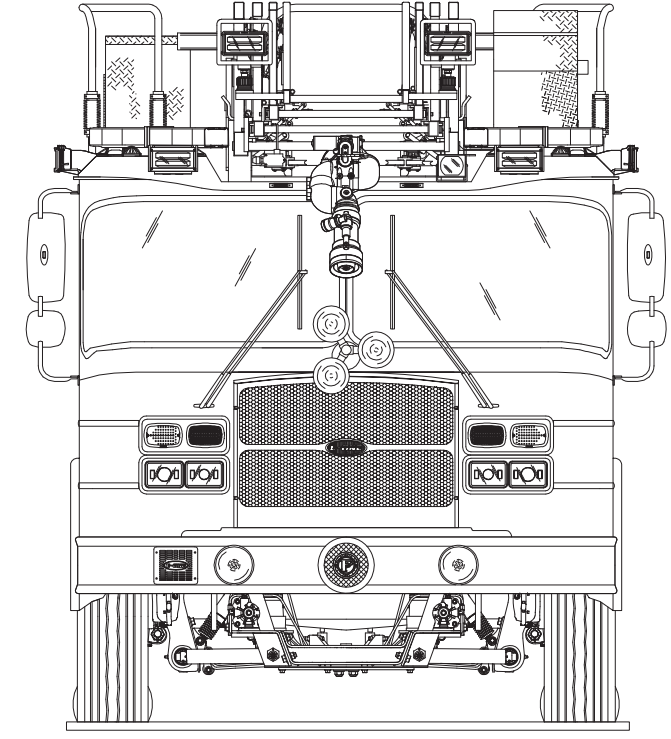


**BRYN MAWR FIRE COMPANY**  
**BRYN MAWR, PA**  
 S.O. 141942 / QUOTE 84999  
 AERIAL BODY  
 CYCLONE II X CHASSIS  
 LTH100 AERIAL LADDER

THIS DRAWING IS FOR REFERENCE PURPOSES. ALL DIMENSIONS ARE  
 SUBJECT TO MINOR VARIATIONS DUE TO MANUFACTURING PROCESSES.

**APPROVED FOR PRODUCTION**

DESIGNER: BMASON DATE: 12-15-2017



KMARQUES	B	RFP	2017-DEC-14	BMASON
CASSET	A	INITIAL RELEASE	2017-NOV-27	BMASON
DRAWN BY	REV	DESCRIPTION	DATE	APPROVED
APPROVAL REVISIONS				SHEET 2 OF 2