

BOYERTOWN AREA FIRE RESCUE BOYERTOWN, PA.

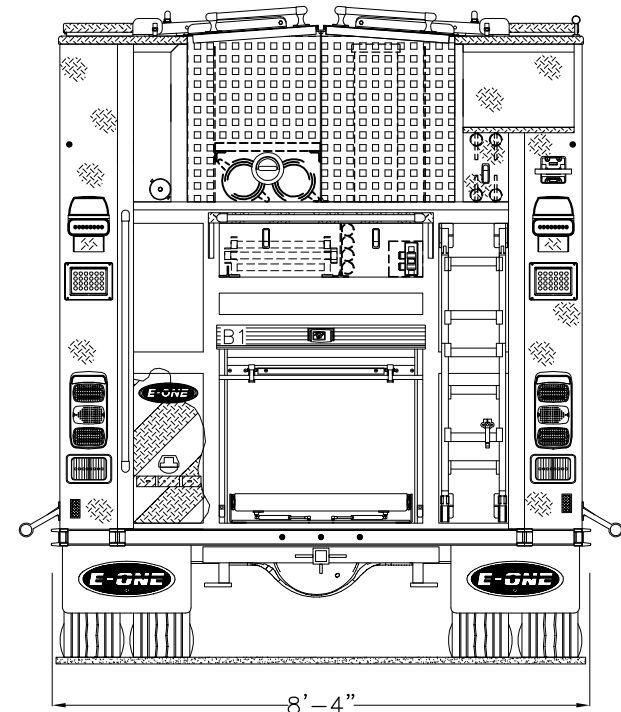
QUOTE 75177

CUSTOM eMAX PUMPER E-ONE TYPHOON X MEDIUM W/ALS CAB 4X2 CHASSIS

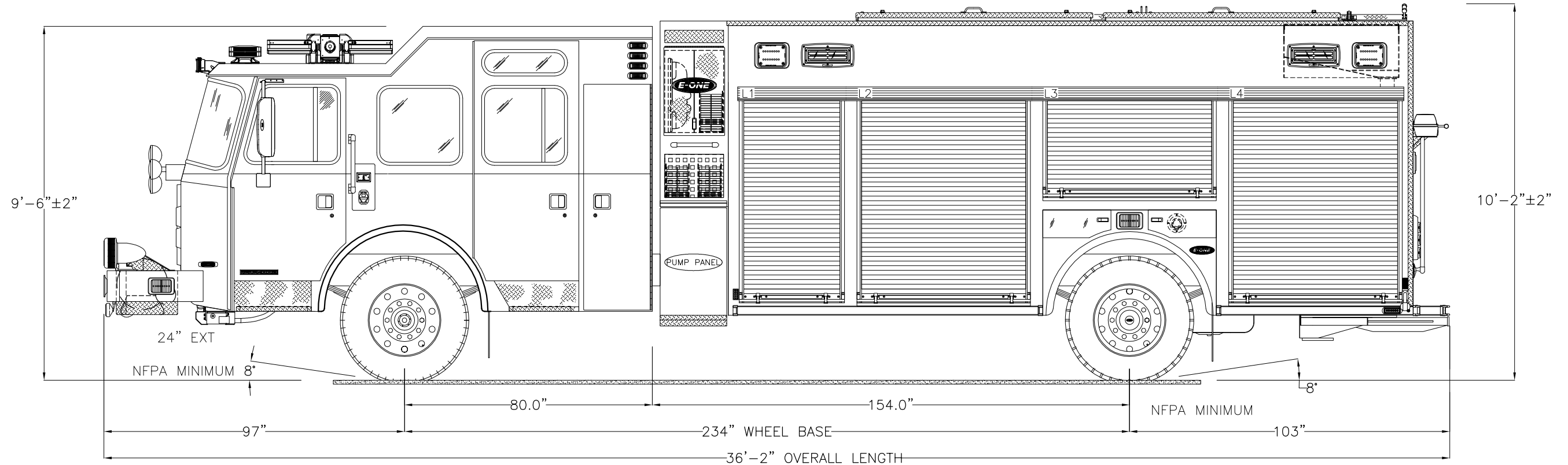
1500 GPM E-ONE PUMP		HOSE LOAD:	
500 GALLON WATER TANK		200' OF 2.50" DJ	
30 GALLON INTEGRAL CLASS "A" FOAM		1000' OF 5.00" LDH	
		450' OF 3.00" DJ	
COMPT.	OPENING	INTERIOR DIMENSION	
L1	32W 59H	PUMP PANEL	
R1	32W 59H	34W 3H 12D	UPPER
		34W 56H 26D	LOWER
L2/R2	54W 59H	56W 3H 12D	UPPER
		56W 56H 26D	LOWER
L3/R3	54W 25H	56W 3H 12D	UPPER
		56W 22H 26D	LOWER
L4/R4	54W 59H	56W 3H 12D	UPPER
		56W 56H 26D	LOWER
B1	36W 27H	38W 27H	26D

THIS DRAWING IS FOR REFERENCE PURPOSES. ALL DIMENSIONS ARE SUBJECT TO MINOR VARIATIONS DUE TO MANUFACTURING PROCESSES.

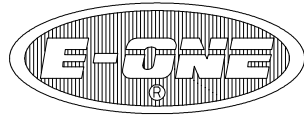
This print is the property of E-ONE, Inc. and is loaned to you subject to return on demand, unless otherwise agreed to in writing by E-ONE, Inc. Its contents are confidential and must not be copied or submitted to third parties for use or examination.



HOSEBED HEIGHT:
(FOR REFERENCE ONLY)
TO TAILBOARD: 61"
TO GROUND: 85"



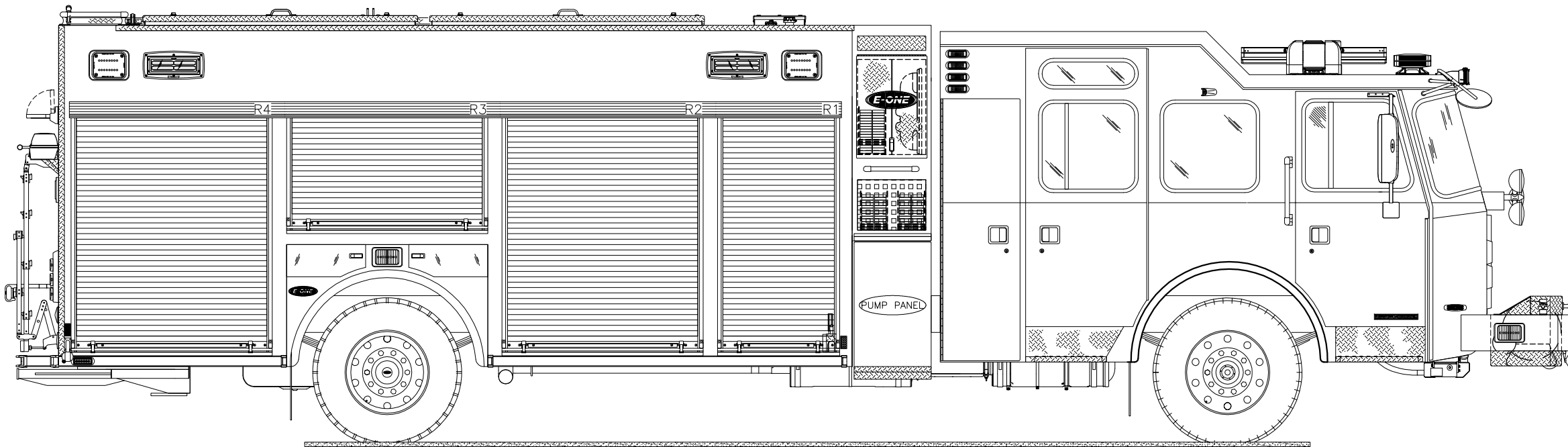
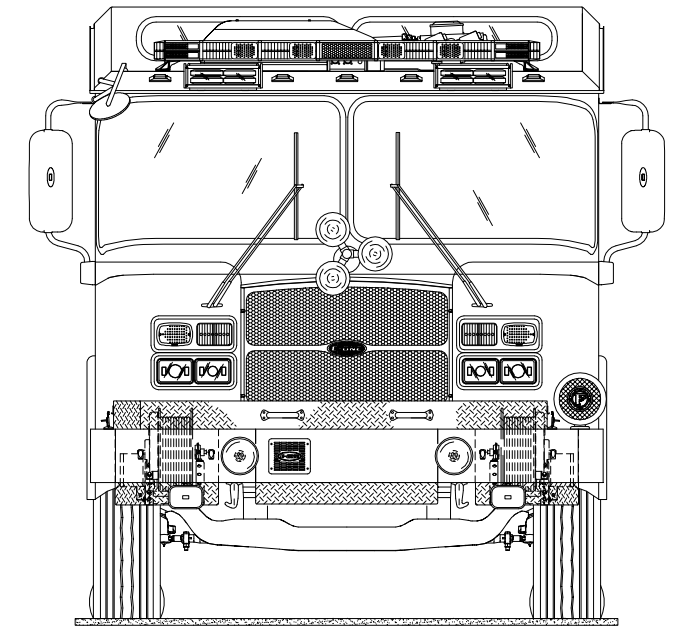
GACRET	BBB	STRIPING	2015-NOV-30	JDRAY
GACRET	BB	DEALER CHANGES	2015-OCT-29	JDRAY
GACRET	B	IFC	2015-OCT-28	JDRAY
GACRET	A	INITIAL RELEASE	2015-OCT-22	JDRAY
DRAWN BY	REV	DESCRIPTION	DATE	APPROVED
APPROVAL REVISIONS				SHEET 1 OF 2



BOYERTOWN AREA FIRE RESCUE BOYERTOWN, PA. *QUOTE 75177* CUSTOM eMAX PUMPER E-ONE TYPHOON X MEDIUM W/ALS CAB 4X2 CHASSIS

THIS DRAWING IS FOR REFERENCE PURPOSES. ALL DIMENSIONS ARE
SUBJECT TO MINOR VARIATIONS DUE TO MANUFACTURING PROCESSES.

This print is the property of E-ONE, Inc. and is loaned to you
subject to return on demand, unless otherwise agreed to in writing by
E-ONE, Inc. Its contents are confidential and must not be
copied or submitted to third parties for use or examination.



APPROVAL REVISIONS	DATE	APPROVED		
GACRET	BBB	STRIPING	2015-NOV-30	JDRAY
GACRET	BB	DEALER CHANGES	2015-OCT-29	JDRAY
GACRET	B	IFC	2015-OCT-28	JDRAY
GACRET	A	INITIAL RELEASE	2015-OCT-22	JDRAY
DRAWN BY	REV	DESCRIPTION	DATE	APPROVED